

VC 5R / VC 30R / VC 60R

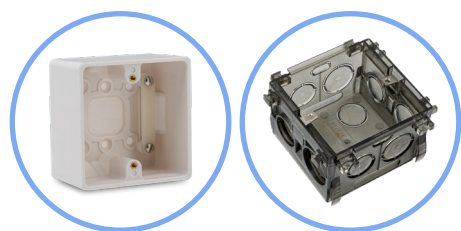
VOLUME CONTROLLERS FOR 100 V SYSTEMS

VC volume controllers provide precise local volume adjustment for background music and voice evacuation systems. Featuring 10-step attenuation control, they include a built-in 24 V internal emergency relay with a selectable active/passive mode switch.

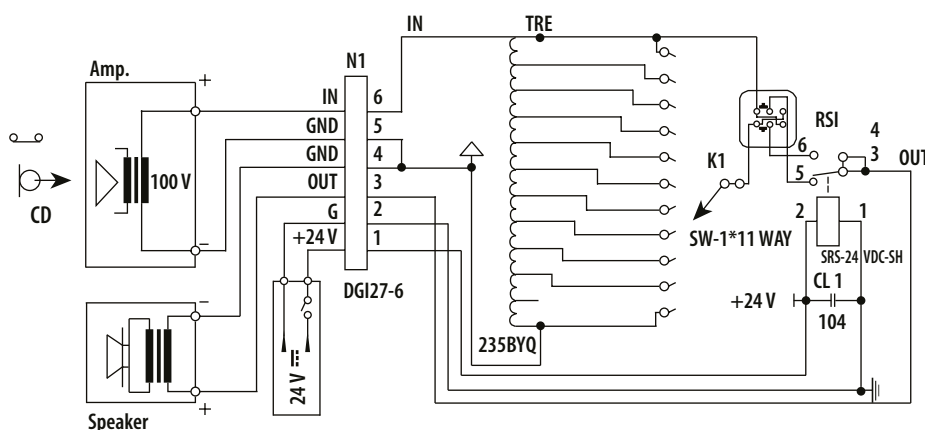
Available in configurations for 5 W, 30 W, and 60 W speaker line power control.



Technical Specifications	VC 5RX	VC 30	VC 60
Input	5 W	30 W	60 W
Steps	10 + Off		
Cover dimensions	86 mm x 86 mm x 24 mm, knob Ø 30 mm		
Internal part thickness	27 mm	48 mm	
Material	Plastic		
Switch modality	DC 24 V / 6 wire		
Modality	Resistor	Transformer	
Weight	0.08 kg	0.16 kg	
Emergency relay	DC 24 V		
Colour	White		
Mounting accessories	PBox / iBox installation boxes		



Optional PBox & iBox installation boxes for surface and flush mounting



Active mode: Volume control will be fully opened and set to the maximum level until 24V DC is supplied. After DC powering, volume control will come in to operation.
 Passive mode: Volume control will be active before 24V DC will not be supplied. When DC is powered, Volume control will not be active and volume will be set to maximum level.