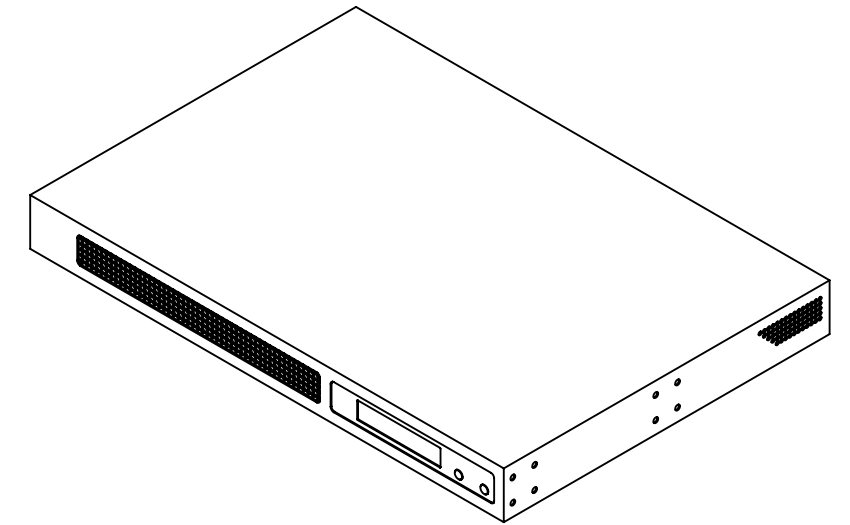
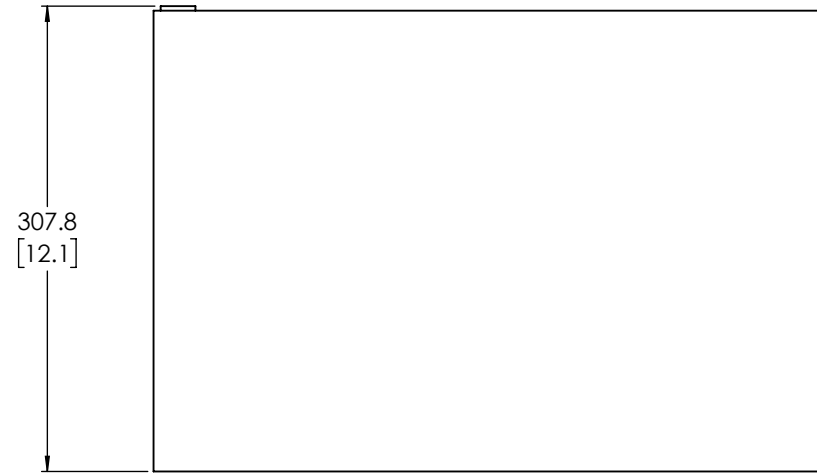
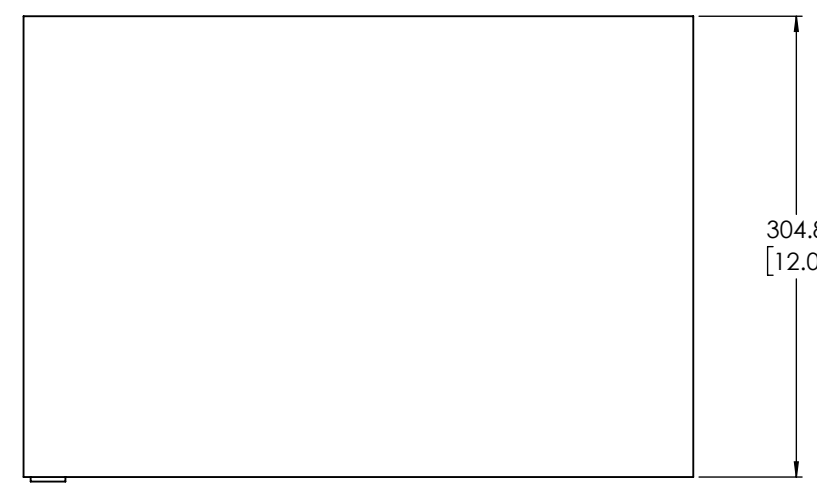
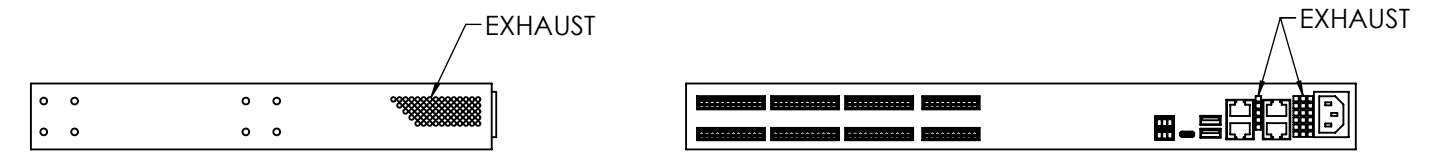
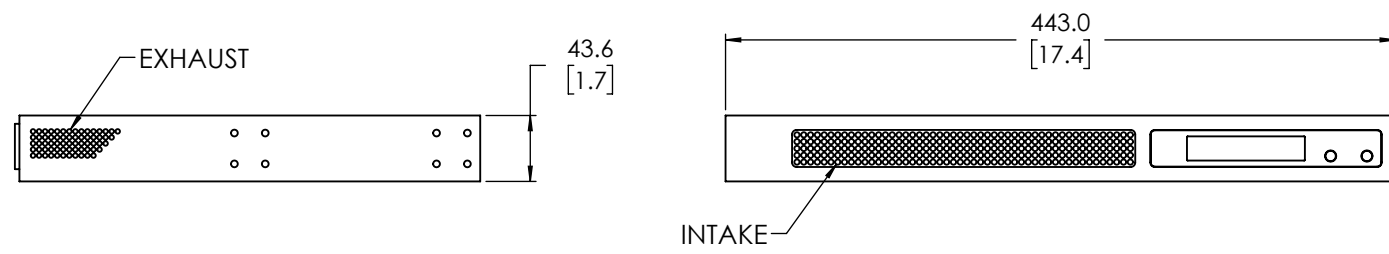


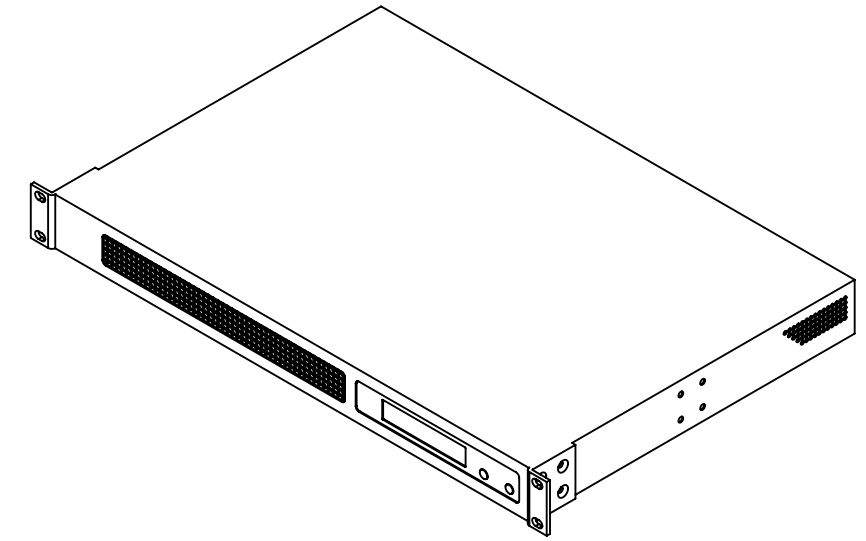
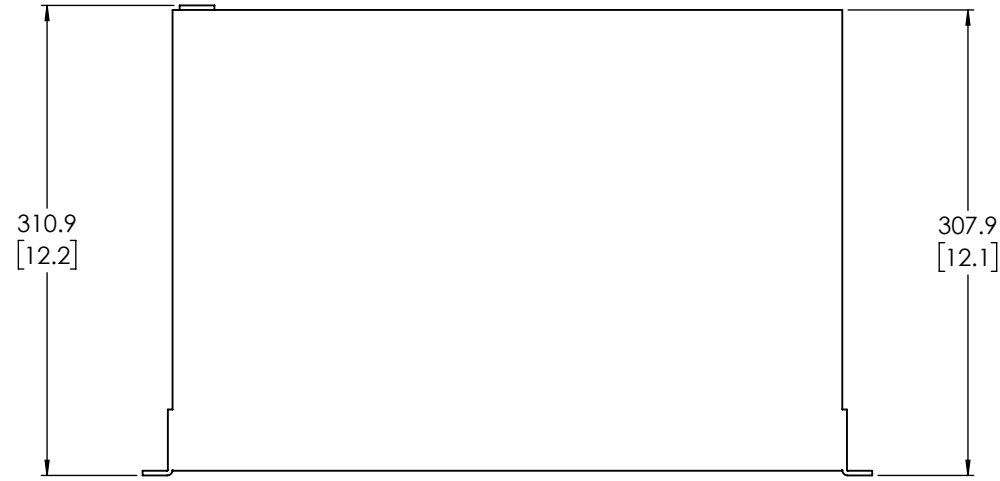
NOTES: UNLESS OTHERWISE SPECIFIED

1. NET WEIGHT APPROX. 4.10 KG [9.04 LBS].
2. PARTS ARE SYMMETRICAL ABOUT CENTER LINES UNLESS OTHERWISE NOTED.

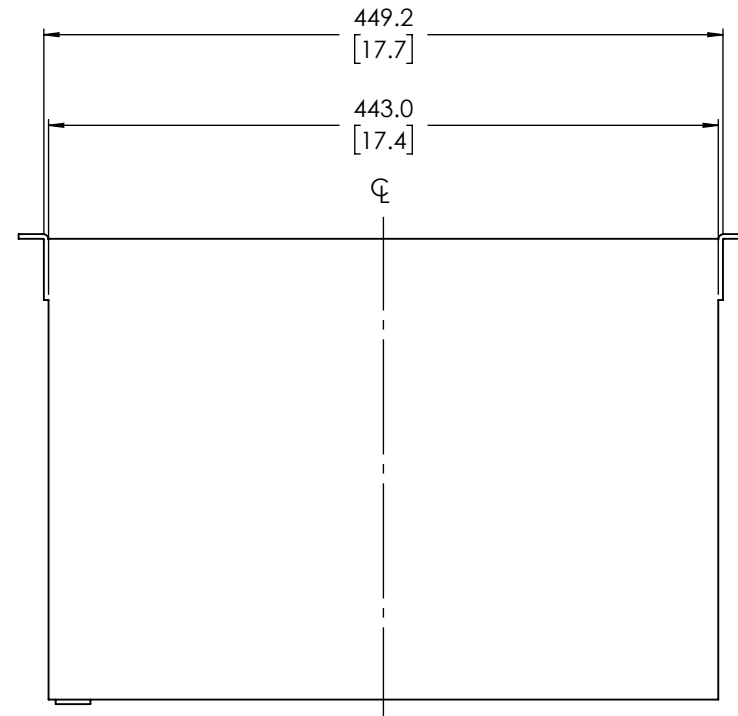
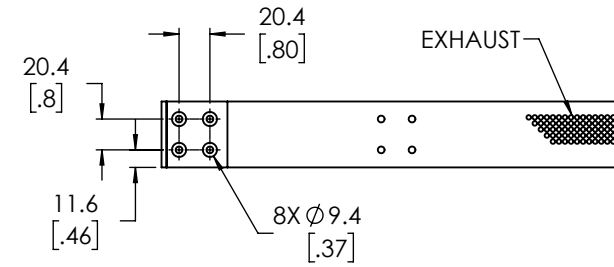
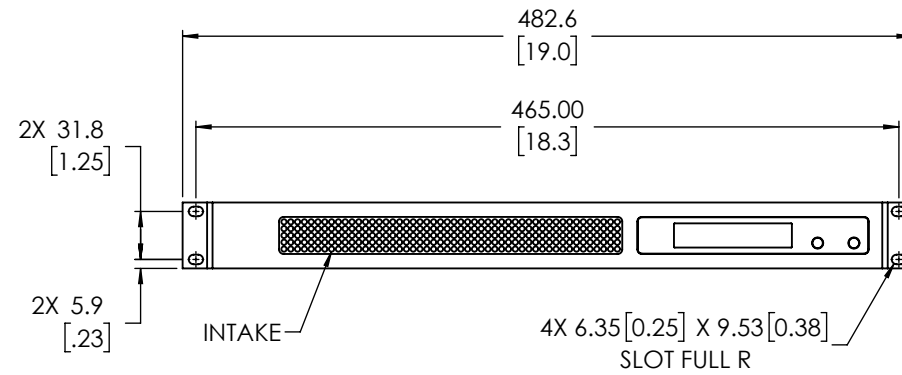
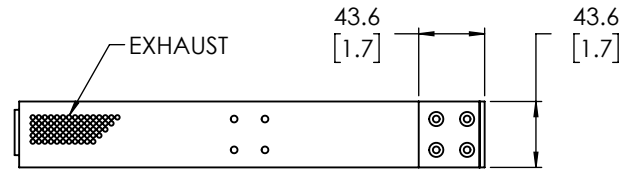


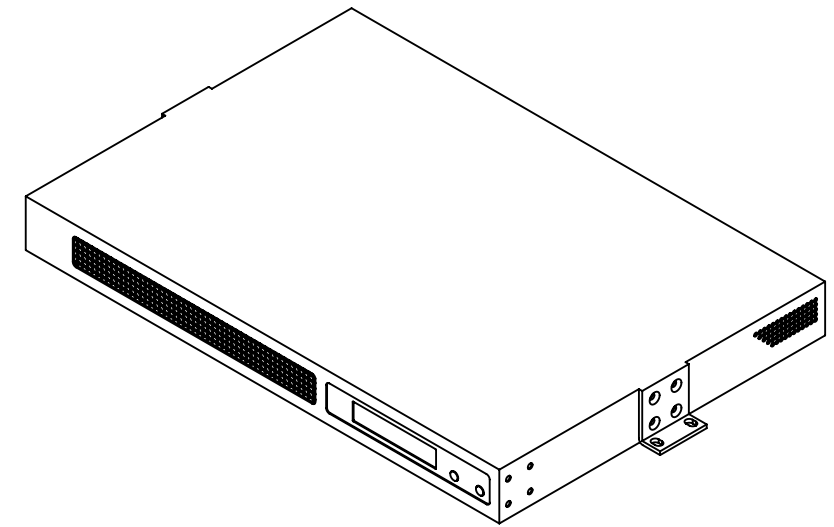
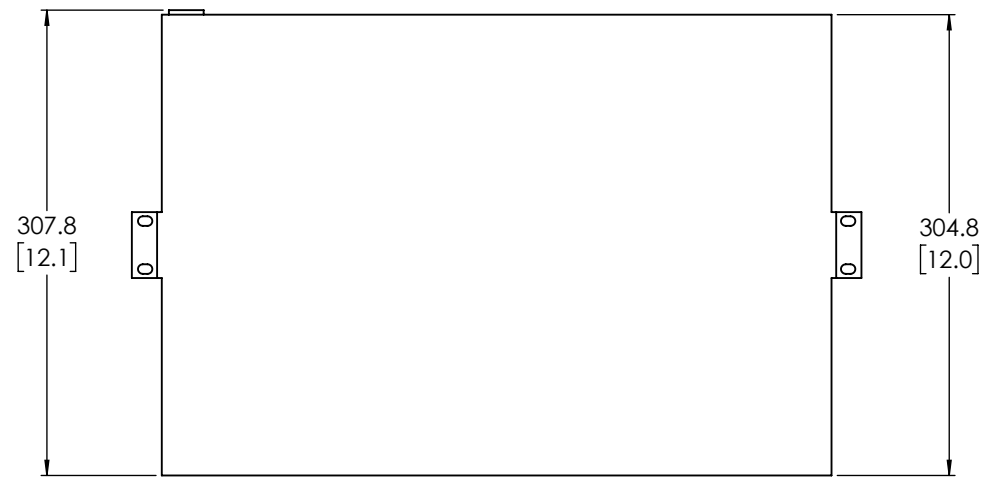
FREESTANDING



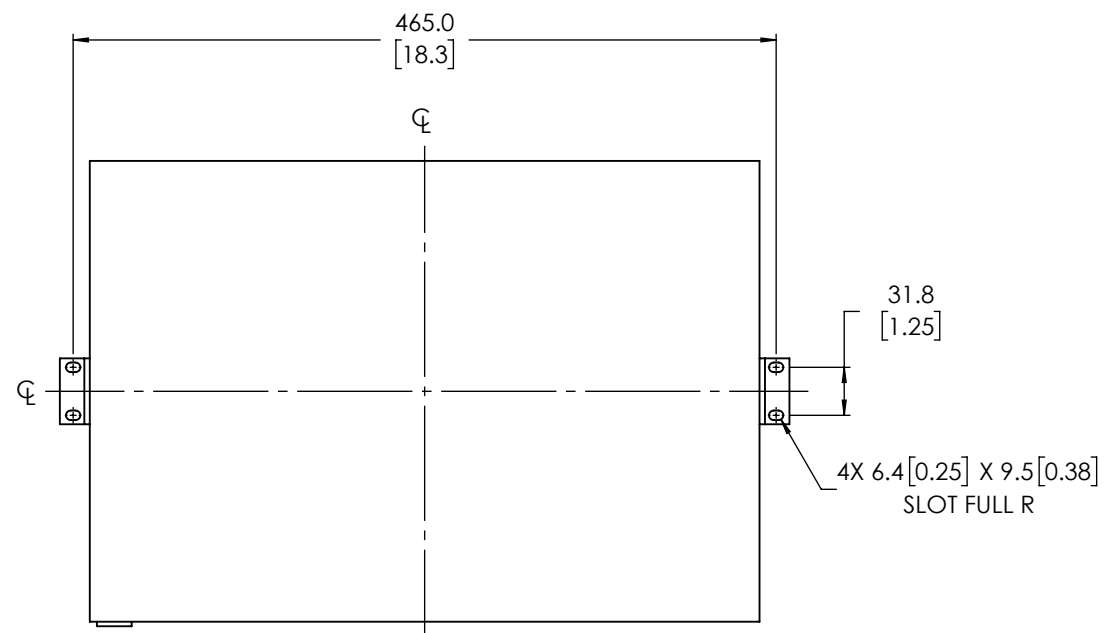
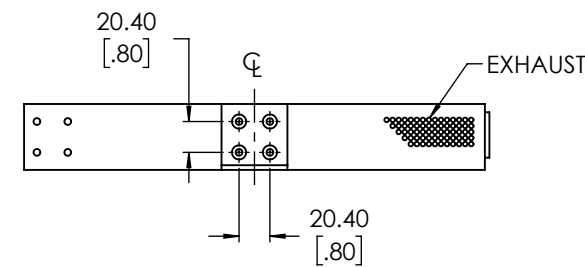
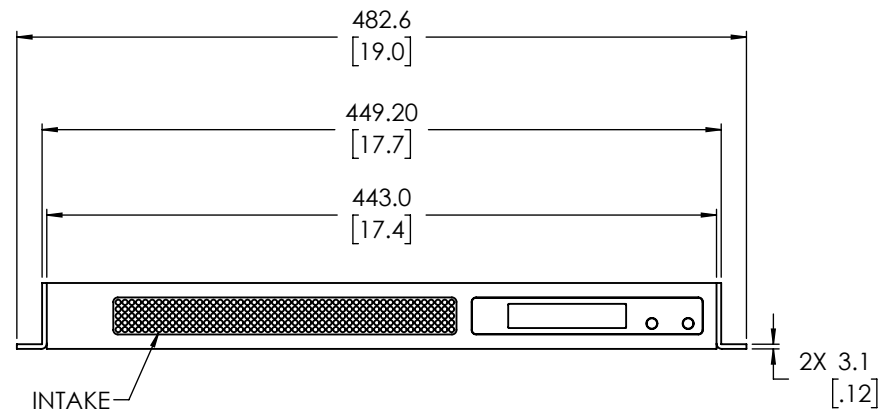
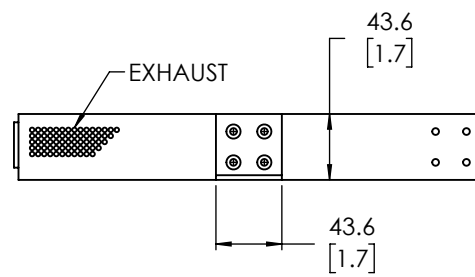


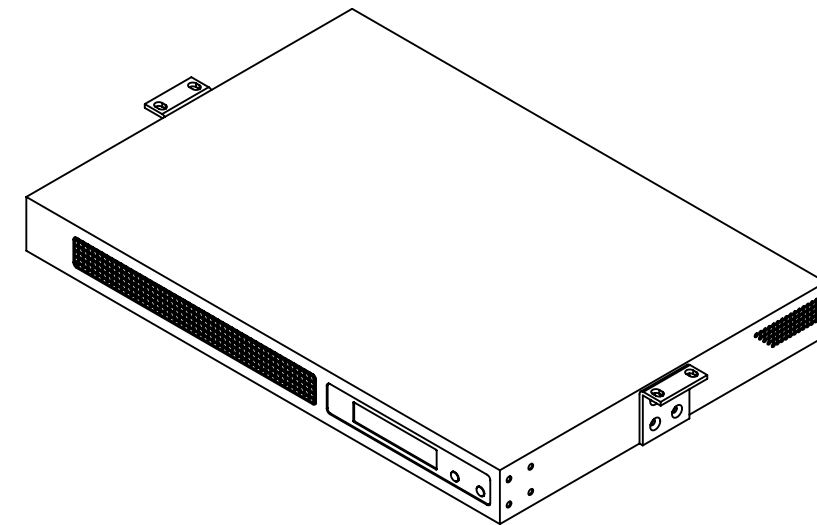
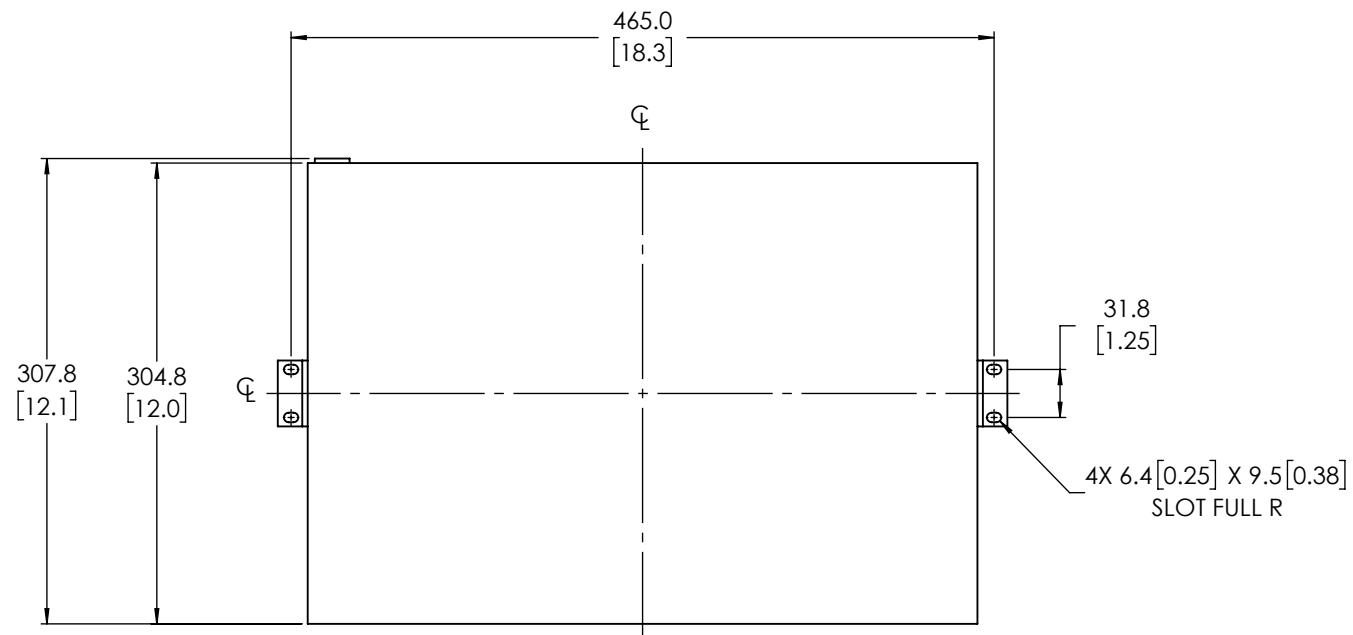
RACK MOUNT





SURFACE MOUNT (OVER)





SURFACE MOUNT (UNDER)

