

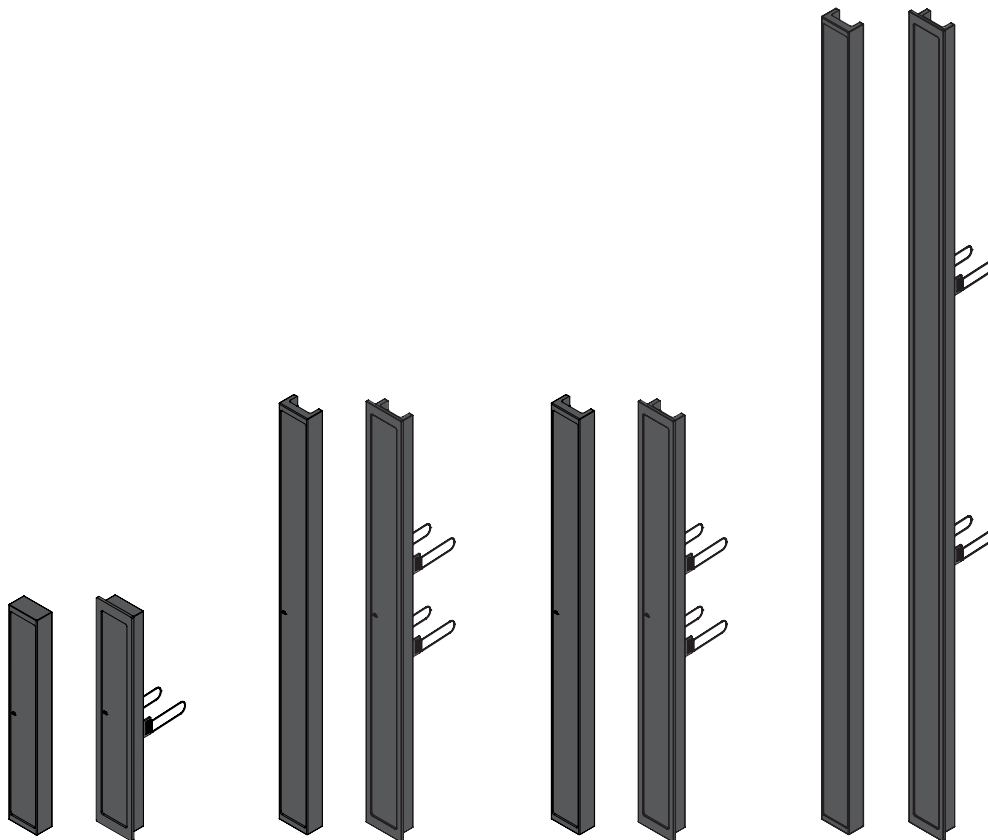
# Vyper-KV

Ultra-flat aluminum line array element

USER GUIDE



V2.Rev.2



This page intentionally left blank

## IMPORTANT SAFETY INSTRUCTIONS



**CAUTION**  
RISK OF ELECTRIC SHOCK  
DO NOT OPEN



**ATTENTION:** RISQUE DE CHOC ELECTRIQUE NE PAS OUVRIR

**CAUTION:** TO REDUCE THE RISK OF ELECTRIC SHOCK,  
DO NOT REMOVE COVER (OR BACK).  
NO USER-SERVICEABLE PARTS INSIDE.  
REFER SERVICING TO QUALIFIED SERVICE PERSONNEL.



This symbol alerts the user to the presence of recommendations about the product's use and maintenance.



The lightning flash with arrowhead symbol within an equilateral triangle is intended to alert the user to the presence of uninsulated, dangerous voltage within the product enclosure that may be of magnitude to constitute a risk of electrical shock.

The exclamation point within an equilateral triangle is intended to alert the user to the presence of important operating and maintenance (servicing) instructions in this guide.



Operator's manual; operating instructions  
This symbol identifies the operator's manual that relates to the operating instructions and indicates that the operating instructions should be considered when operating the device or control close to where the symbol is placed.



For indoor use only  
This electrical equipment is designed primarily for indoor use.



WEEE  
Please dispose of this product at the end of its operational lifetime by bringing it to your local collection point or recycling center for such equipment.



This device complies with Restriction of Hazardous Substances Directive.

### WARNING



Failure to follow these safety instructions could result in fire, shock or other injury or damage to the device or other property.

## General heed and warnings

- Read these instructions.
- Keep these instructions.
- Heed all warnings.
- Follow all instructions.
- Do not use this apparatus near water.
- Clean only with dry cloth.
- Do not block any ventilation openings. Install in accordance with the manufacturer's instructions.
- Do not install near any heat sources such as radiators, heat registers, stoves, or other apparatus (including amplifiers) that produce heat
- Do not defeat the safety purpose of the polarized or grounding plug. A polarized plug has two blades with one wider than the other. A grounding plug has two blades and a third grounding prong. The wide blade or the third prong is provided for your safety. If the provided plug does not fit into your outlet, consult an electrician for replacement of the obsolete outlet.
- Only use attachments/accessories specified by the manufacturer.
- Protect the power cord from being walked on or pinched particularly at the plugs, convenience receptacles, and at the point where they exit from the apparatus.
- Clean the product only with a soft and dry fabric. Never use liquid cleaning products, as this may damage the products cosmetic surfaces.
- Use only with the cart, stand, tripod, bracket, or table specified by the manufacturer, or sold with the apparatus. When a cart is used, use caution when moving the cart/apparatus combination to avoid injury from tip-over.
- Unplug this apparatus during lightning storms or when unused for long periods of time.
- Avoid placing the product in a location under direct sunlight or near any appliance that generates UV (Ultra Violet) light, as this may change the product surface finishing and cause a change in color.
- Refer all servicing to qualified service personnel. Servicing is required when the apparatus has been damaged in any way, such as power-supply cord or plug is damaged, liquid has been spilled or objects have fallen into the apparatus, the apparatus has been exposed to rain or moisture, does not operate normally, or has been dropped.
- CAUTION: These servicing instructions are for use by qualified service personnel only. To reduce the risk of electric shock, do not perform any servicing other than that contained in the operating instructions unless you are qualified to do so.
- WARNING: Only use attachments/accessories specified or provided by the manufacturer (such as the exclusive supply adapter, battery, etc.).
- Before turning the power on or off for all devices, set all volume levels to minimum.



This apparatus is intended for professional use.

Installation and commissioning may only be carried out by qualified and authorized personnel.

# Hyper-KV

## USER GUIDE

V.2.Rev.2

- Use only speaker cables for connecting speakers to the speaker terminals. Be sure to observe the amplifier's rated load impedance particularly when connecting speakers in parallel. Connecting an impedance load outside the amplifier's rated range can damage the apparatus.
- K-array cannot be held responsible for damage caused by improper use of the loudspeakers.
- K-array will not shoulder any responsibilities for products modified without prior authorization.

### CE Statement

K-array declares that this device is in compliance with applicable CE standards and regulations. Before putting the device into operation, please observe the respective country-specific regulations!



### CE Statement

This device complies with Industry Canada's licence-exempt RSSs. Operation is subject to the following two conditions:

- this device may not cause interference, and
- this device must accept any interference, including interference that may cause undesired operation of the device.

The device meets the exemption from the routine evaluation limits in section 2.5 of RSS 102 and compliance with RSS-102 RF exposure, users can obtain Canadian information on RF exposure and compliance.

This equipment should be installed and operated with a minimum distance of 20 centimeters between the radiator and your body.

### Trademark Notice

All trademarks are the property of their respective owners.

<b>Index</b>		
<b>Unpacking</b>	6	
<b>Positioning</b>	6	
<b>Quick Start Guide</b>	7	
Surface mounting installation	7	
Vyper-KV25 II, Vyper-KV52II,	7	
Vyper-KV52FII, Vyper-KV102II	7	
In-wall mounting installation	7	
Vyper-KV25R II, Vyper-KV52R II,	7	
Vyper-KV52FR II, Vyper-KV102R II	7	
<b>Wiring</b>	8	
Connecting Multiple Vyper-KV	9	
<b>Installation</b>	10	
Cutout holes dimensions	10	
Surface mounting installation	11	
In-wall installation	12	
<b>Service</b>	13	
<b>Cleaning</b>	13	
<b>Mechanical drawings</b>		14
Vyper-KV25 II		14
Vyper-KV25R II		14
Vyper-KV52 II / Vyper-KV52F II		15
Vyper-KV52R II / Vyper-KV52FR II		15
Vyper-KV102 II		16
Vyper-KV102R II		17
Vyper-KV		18
Marine Version		18
IP65 Sealing Accessory Mounting		18
<b>Technical Specifications</b>		20
Vyper-KV25 II		20
Vyper-KV25R II		20
Vyper-KV52II		21
Vyper-KV52R II		21
Vyper-KV52FII		22
Vyper-KV52FR II		22
Vyper-KV102II		23
Vyper-KV102R II		23



V.2.Rev.2

Thank you for choosing this K-array product!

To ensure proper operation, please carefully read the owner's manuals and safety instruction before using the products.

After reading this manual, be sure to keep it for future reference.

Should you have any questions about your new device please contact K-array customer service at [support@k-array.com](mailto:support@k-array.com) or contact the official K-array distributor in your country.

---

The Vyper line consists of the flattest speakers in the K-array portfolio and are housed in an elegant and resistant 2-cm-deep aluminum frame that features closely-spaced transducers which boast Pure Array Technology.

With closely-spaced cone drivers, the Vyper line demonstrates true line array characteristics: phase coherence, low distortion and focused listening in both the near field and at a distance from the speaker. This Pure Array Technology allows the Vyper to cover venues uniformly and provide long throw.

For easier use and integration with other speakers or amplifiers, the Vypers feature selectable impedance and when paired with a subwoofer from the Rumble or Truffle line and powered by a Kommander amplifier with specific presets optimized for the Vyper, the loudspeaker assures excellent coverage of the entire musical frequency range.

# Vyper-KV

## USER GUIDE

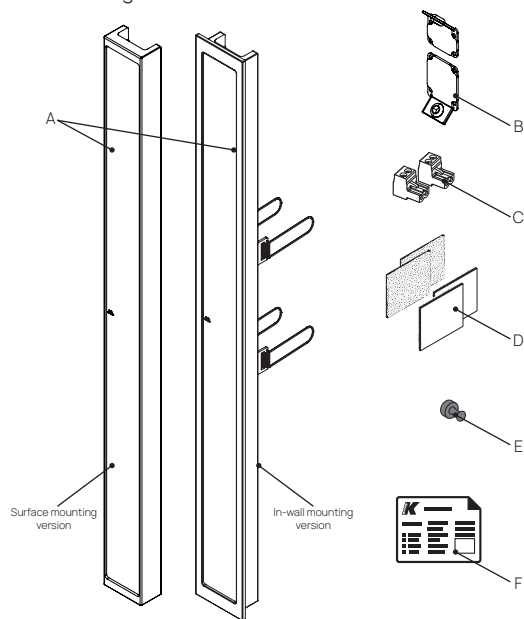
V.2.Rev.2

## Unpacking

Each K-array loudspeaker is built to the highest standard and thoroughly inspected before leaving the factory.

Upon arrival, carefully inspect the shipping carton, then examine and test your new amplifier. If you find any damage, immediately notify the shipping company. Check that the following parts are supplied with the product.

- A. 1x Vyper-KV passive line array loudspeaker for either surface or in-wall installation.
- B. 2x IP65 connector sealing plates\*
- C. 2x two terminals Euroblock 2,5/ 2-ST-5,08 \*\*
- D. 2x Reclosable fastener adhesive pairs (surface mounting versions only)
- E. 1x Small magnet
- F. 1x Quick guide



Note:

\* 1x IP65 connectors sealing plate in Vyper-KV25MII and Vyper-KV25RMII- Marine Version

\*\* 1x two terminals Euroblock 2,5/ 2-ST-5,08 in Vyper-KV25II and Vyper-KV25RII

## Positioning

The Vyper-KV loudspeakers perform best when positioned on a planar surface such as a wall.

Find the proper installation height, aiming the loudspeaker at the listening position.

We suggest the following configurations:



Seated listening area

H: min height 1,5 m (5 ft) / max height 2 m (6.5 ft)



Standing listening area

H: min height 1,7 m (5.6 ft) / max height 2,7 m (9 ft)

In order to take advantage of the narrow directivity of the line array configuration, for usual application it is recommended to install the Vyper-KV loudspeakers vertically.

The only exception to this rule-of-thumb is about the Vyper-KV52FII and Vyper-KV52FRII featuring a wide dispersion in both directions.

V.2.Rev.2

## Quick Start Guide

### Surface mounting installation

#### Vyper-KV25 II, Vyper-KV52 II, Vyper-KV52F II, Vyper-KV102 II

Follow these instructions to properly install the loudspeaker:

1. Unpack the loudspeaker and set the accessories aside for later use;
2. Find the proper position on the mounting surface: position the cutout template (drawn on the loudspeaker package) and mark the surface accordingly;
3. Drill the holes for screwing the loudspeaker to the surface or ensure that the mounting surface is flat for sticking the loudspeaker with the provided reclosable fasteners;
4. Set the proper loudspeaker load impedance with respect to the amplifier in use;
5. Set the proper speaker cable length for connecting the loudspeaker to the amplifier;
6. In application demanding IP65 devices,
  - let the speaker cable passing through the IP65 connector sealing plate's rubber;
  - remove the connector plates from the loudspeaker back panel;
7. Connect the speaker cable to the two terminals Euroblock 2,5/ 2-ST-5,08 connector, taking care to respect the signal polarity;
8. Plug the speaker cable to the signal connector on one loudspeaker end;
9. In application demanding IP65 devices, screw both IP65 connector sealing plates on the loudspeaker back panel;
10. Steadily fix the loudspeaker to the surface with the screws or stick the loudspeaker on place with the reclosable fasteners.
11. Switch on the music and enjoy!

### In-wall mounting installation

#### Vyper-KV25R II, Vyper-KV52R II, Vyper-KV52FR II, Vyper-KV102R II

Follow these instructions to properly install the loudspeaker:

- A. Unpack the loudspeaker and set the accessories aside for later use;
- B. Find the proper position on the mounting surface: position the cutout template (drawn on the loudspeaker package) and mark the surface accordingly;
- C. Drill a pilot hole, then cut the surface all of the way around the drilling template: take care to shape the recess in order to perfectly fit the loudspeaker;
- D. Set the proper loudspeaker load impedance with respect to the amplifier in use;
- E. Set the proper speaker cable length for connecting the loudspeaker to the amplifier;
- F. In application demanding IP65 devices,
  - let the speaker cable passing through the IP65 connector sealing plate's rubber;
  - remove the connector plates from the loudspeaker back panel;
- G. Connect the speaker cable to the two terminals Euroblock 2,5/ 2-ST-5,08 connector, taking care to respect the signal polarity;
- H. Plug the speaker cable to the signal connector on one loudspeaker end;
- I. In application demanding IP65 devices, screw both IP65 connector sealing plates on the loudspeaker back panel;
- J. Unfold the metallic clips on the loudspeaker back panel and gently insert them into the recess;
- K. Let the loudspeaker slide into the recess and set it in place.
- L. Switch on the music and enjoy!

# Vyper-KV

## USER GUIDE

V.2.Rev.2

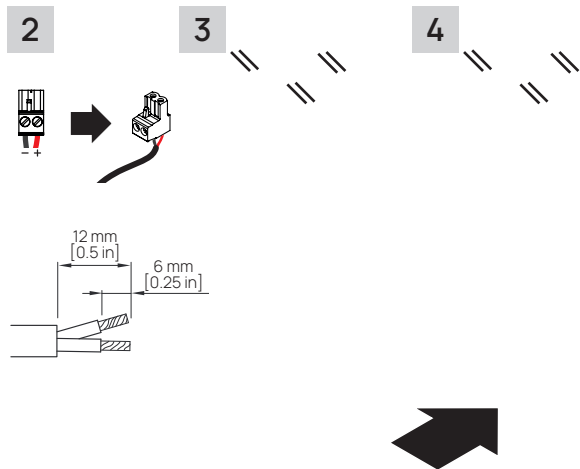
### Wiring

For easy connectivity and link, the Vyper-KV line array loudspeakers feature Euroblock 2 pin inlets, namely for Phoenix 2,5/ 2-ST-5,0 flying plug.

Caution must be taken when connecting the loudspeaker cable to the flying connector in order to match the signal polarity: please refer to the label on the rear panel of the loudspeaker for the correct matching.

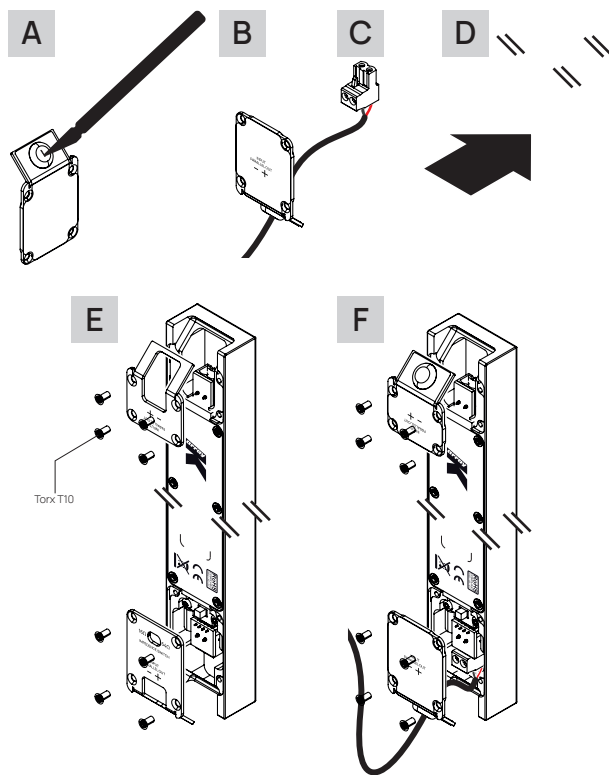
For a cable run of up to 5 m (16.4 ft) use wire gauge of 0,75 mm<sup>2</sup> (18 AWG) minimum. For longer cable runs a wider gauge is recommended.

1. Set the proper speaker cable length for connecting the loudspeaker to the amplifier;
2. Connect the speaker cable to the two terminals connector, taking care to respect the signal polarity;
3. Set the proper impedance value according to the loudspeaker configuration and amplifier model.
4. Plug the speaker cable to the signal connector on one loudspeaker end;



In application demanding IP65 devices:


- A. Cut a small aperture on the IP65 connector sealing plate's rubber;
- B. Let the speaker cable passing through the IP65 connector sealing plate's rubber;
- C. Connect the speaker cable to the two terminals connector, taking care to respect the signal polarity;
- D. Set the proper impedance value according to the loudspeaker configuration and amplifier model.
- E. Remove the connector plates from the loudspeaker back panel;
- F. Screw both IP65 connector sealing plates on the loudspeaker back panel.



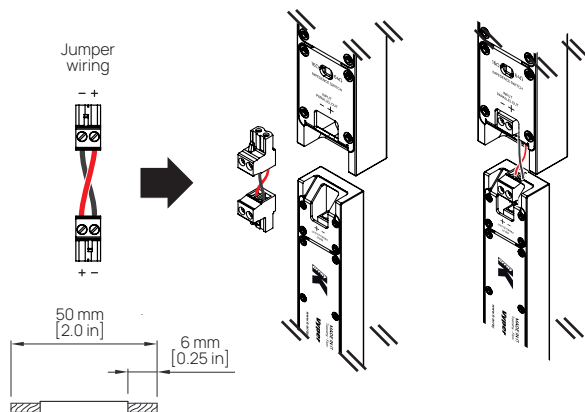
### Connecting Multiple Vyper-KV


The top and the bottom connectors of a Vyper-KV loudspeaker (the only exception is the Vyper-KV25II/Vyper-KV25RII featuring a single input connector) are paralleled so that the input signal can pass through the Vyper-KV loudspeaker and can be used to feed another Vyper-KV in parallel with the former loudspeaker.

This wiring arrangement is useful in either distributed loudspeaker systems and when stacking multiple Vyper-KV loudspeakers in longer line array configurations.

 **Vyper-KV for in-wall installation are not designed to be stacked for making longer line array.**

A proper jumper wire must be prepared to let the signal exit the former loudspeaker and enter the paralleled loudspeaker preserving the signal polarity.



 **Always check the loudspeaker impedance before connecting the amplifier.**

The number of Vyper-KV loudspeakers that can be connected in parallel to the same amplifier channel depends on the loudspeaker model, loudspeaker impedance and amplifier power. The following table shows the available impedance values for every Vyper-KV model.

Model	Selectable impedance	Model	Selectable impedance
Vyper-KV25II	8 Ω / 32 Ω	Vyper-KV25RII	8 Ω / 32 Ω
Vyper-KV52II	16 Ω / 64 Ω	Vyper-KV52RII	16 Ω / 64 Ω
Vyper-KV52FII	16 Ω / 64 Ω	Vyper-KV52FRII	16 Ω / 64 Ω
Vyper-KV102II	8 Ω / 32 Ω	Vyper-KV102RII	8 Ω / 32 Ω


The parallel connection lowers the total load impedance: caution must be taken to maintain the load impedance of the paralleled loudspeakers above the amplifier's minimum loading impedance.

Please refer to the [Amplifier-to-Speaker matching table](#) available on K-array website for details about the maximum number of loudspeakers that can be driven by a single amplifier channel.



Before connecting the loudspeaker cable to the amplifier:

- ensure the loudspeaker impedance matches the amplifier channel rated load impedance, especially when connecting multiple loudspeakers in parallel;
- load the dedicated loudspeaker factory preset on the amplifier DSP.

 **Before driving the loudspeakers ensure to load the proper loudspeaker factory preset on Kommander-KA amplifier**

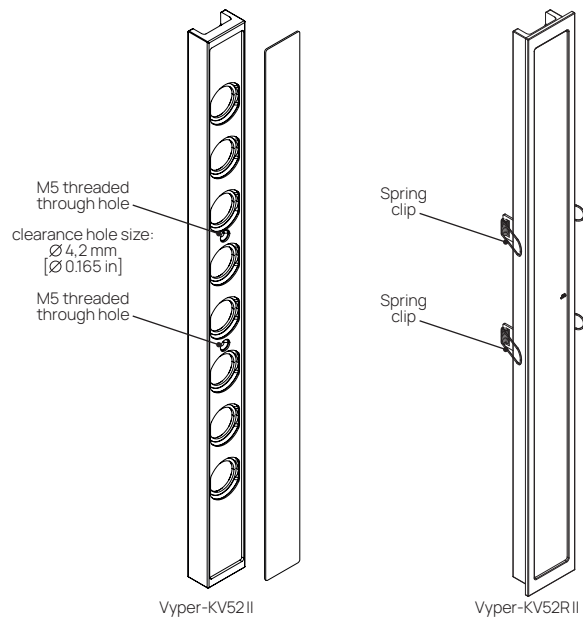
### Installation

The Vyper-KV lourspeakers are available in two versions:

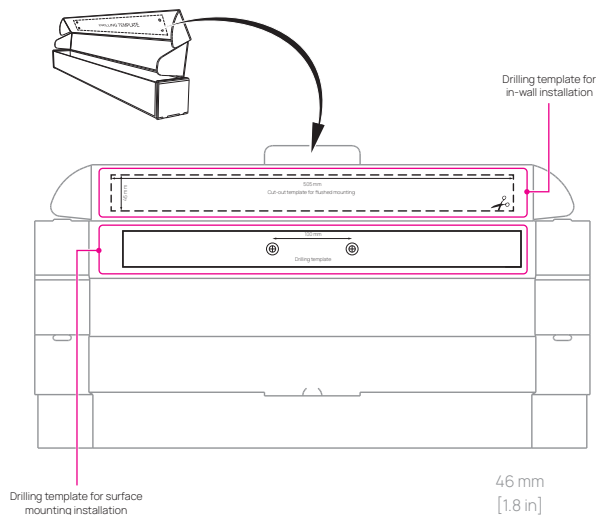
Surface mounting installation		In-wall installation	
Lenght	Model	Lenght	Model
260 mm 10.24in	Vyper-KV25II	270 mm 10.63in	Vyper-KV25R II
500 mm 19.69in	Vyper-KV52II	510 mm 20.08 in	Vyper-KV52R II
500 mm 19.69in	Vyper-KV52FII	510 mm 20.08 in	Vyper-KV52FR II
1000 mm 39.37in	Vyper-KV102II	1010 mm 39.76in	Vyper-KV102R II

The Vyper-KV designed for surface mounting installation feature threaded M5 through holes.

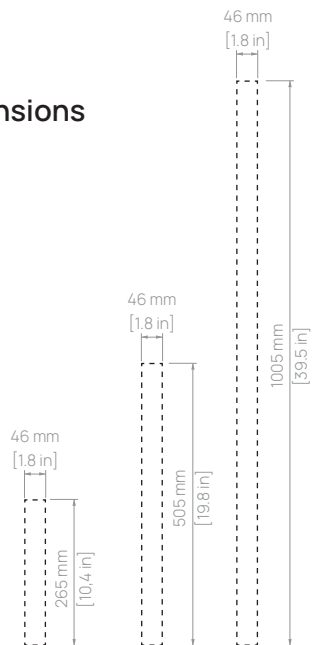
The Vyper-KV designed for in-wall installation feature spring clips for being easily retained into the recess.



A drilling template is printed inside the package. Follow these operating instructions to ensure a proper installation.



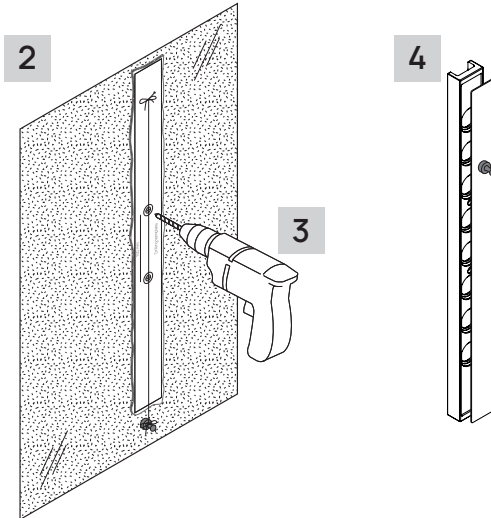
### Cutout holes dimensions



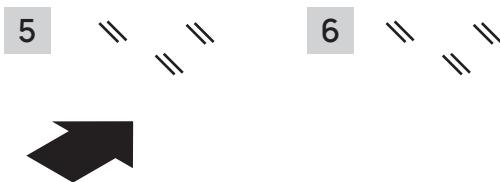
V.2.Rev.2

## Surface mounting installation

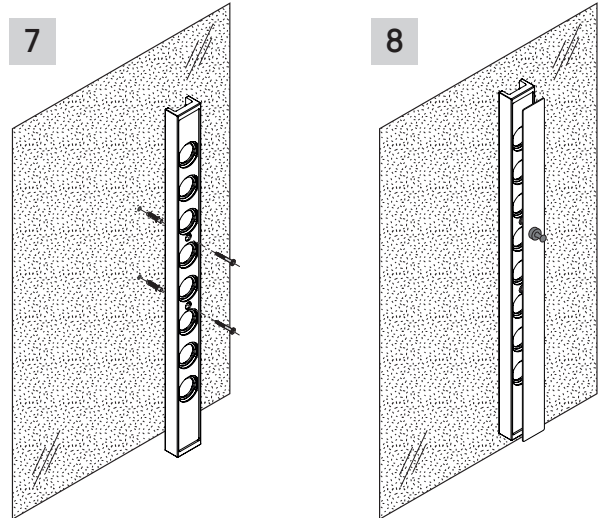
1. Cut the drilling template out of the packaging box.
2. Lay the drilling template on the mounting surface taking care to properly align it vertically.
3. Drill on the surface the proper number of holes.



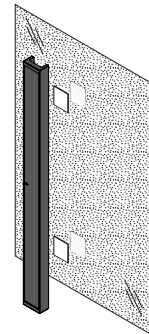
4. Use the small magnet to remove the grill from the loudspeaker.
5. Set the proper loudspeaker impedance.
6. Connect the loudspeaker to the wiring.



7. Uses dowels and screws to fix the loudspeaker to the surface.
8. Reposition the grill on the loudspeaker.



Alternatively, use the drilling template to mark the surface and install the loudspeaker with the reclosable fastener adhesive pairs.



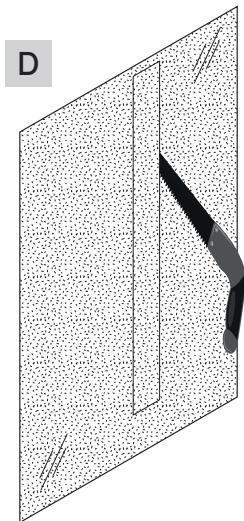
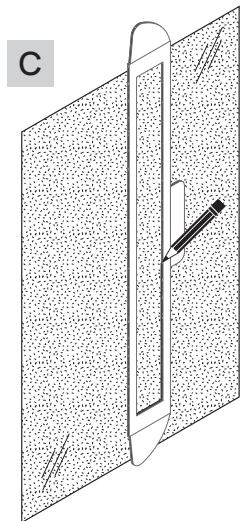
# Vyper-KV

## USER GUIDE

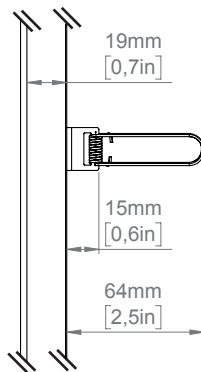
V.2.Rev.2

### In-wall installation

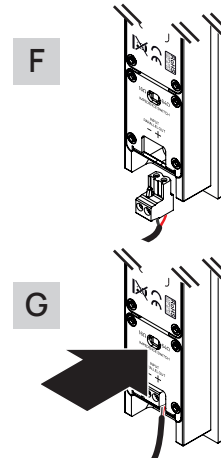
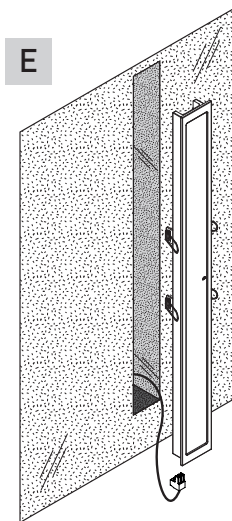
- A. Cut the drilling template out of the packaging box.
- B. Lay the drilling template on the mounting surface taking care to properly align it vertically.
- C. Mark the cutting edge of the recess on the surface.



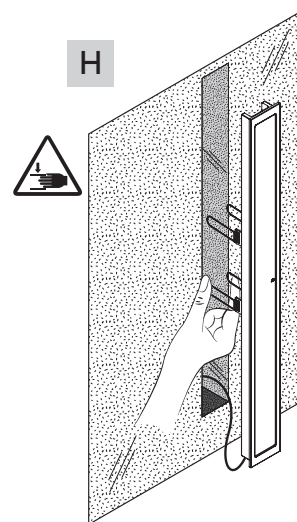
- D. Cut the surface taking care of respecting the shape tolerance for fitting the loudspeaker accordingly. Ensure that the depth of the recess is wide enough to fit the loudspeaker and its spring clips, namely deeper than 83mm (3.27 in).



- E. Set the loudspeaker cable wirings and head them with the connector matching the loudspeaker signal polarity.
- F. Set the proper loudspeaker impedance.
- G. Connect the loudspeaker to the wiring.



- H. Gently unfold the spring clips and insert the loudspeaker on the recess.



V.2.Rev.2

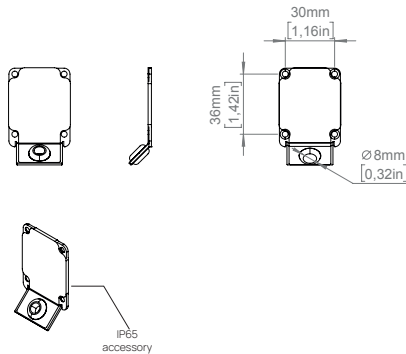
# Vyper-KV

## Marine Version

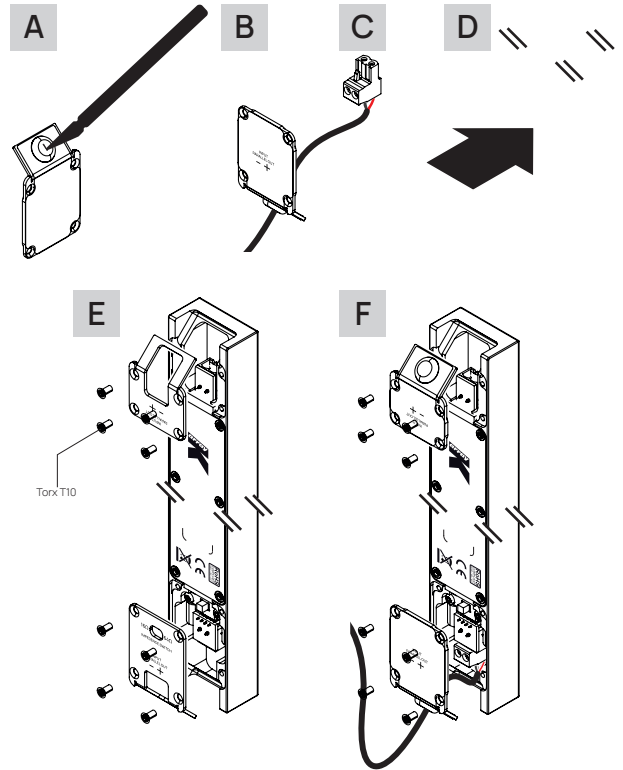
Some models of the Vyper line are available in a Marine Version, specifically designed to ensure reliability, durability, and refined aesthetics in salty and outdoor environments.

Thanks to a combination of advanced protective treatments and premium materials, the Marine models deliver the same outstanding acoustic performance of the standard versions while providing superior protection against corrosion and weathering.

- Cataphoresis treatment applied by electroplating ensures a total coating of all metal surfaces, granting high resistance against chemical and environmental corrosion.
- IP65 protection rating is guaranteed through the use of dedicated included accessories, ensuring maximum reliability even in harsh outdoor and marine conditions.
- The Marine Version makes these loudspeakers the ideal choice for seaside venues, yachting, outdoor residential projects, and any application exposed to humidity, salt, and direct weather conditions.



## IP65 Sealing Accessory Mounting



## **Service**

To obtain service:

1. Please have the serial number (s) of the unit(s) available for reference.
2. Contact the official K-array distributor in your country: find the Distributors and Dealers list on K-array website. Please describe the problem clearly and completely to the Customer Service.
3. You will be contacted back for on line servicing.
4. If the problem cannot be resolved over the phone, you may be required to send the unit in for service. In this instance, you will be provided with an RA (Return Authorization) number which should be included on all shipping documents and correspondence regarding the repair. Shipping charges are the responsibility of the purchaser.

Any attempt to modify or replace components of the device will invalidate your warranty. Service must be performed by an authorized K-array service center.

## **Cleaning**

Use only a soft, dry cloth to clean the housing. Do not use any solvents, chemicals, or cleaning solutions containing alcohol, ammonia, or abrasives. Do not use any sprays near the product or allow liquids to spill into any openings.

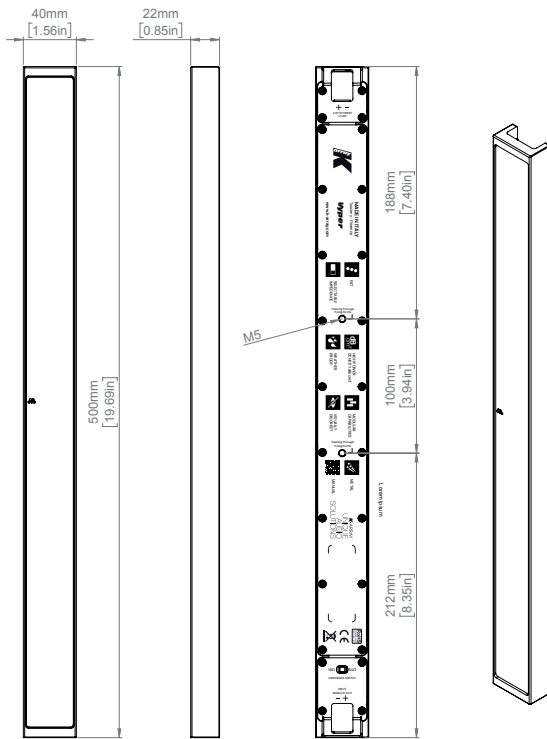


# Vyper-KV

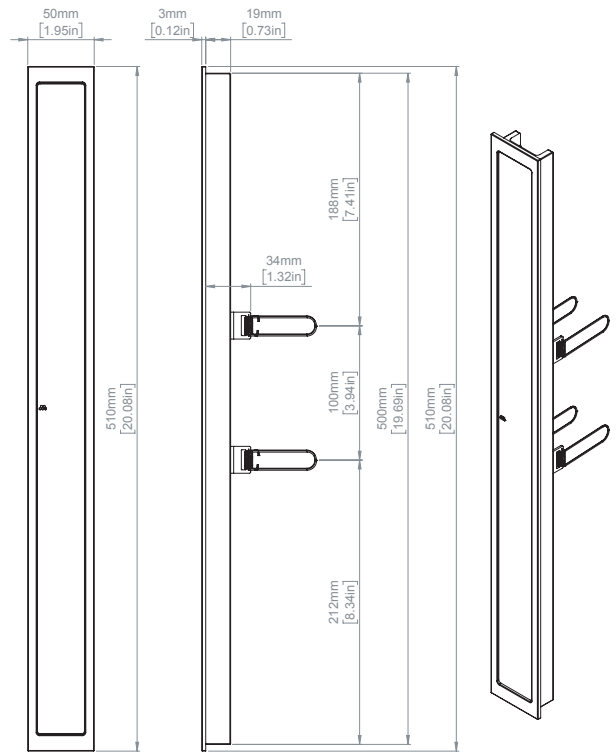
## USER GUIDE

V.2.Rev.2

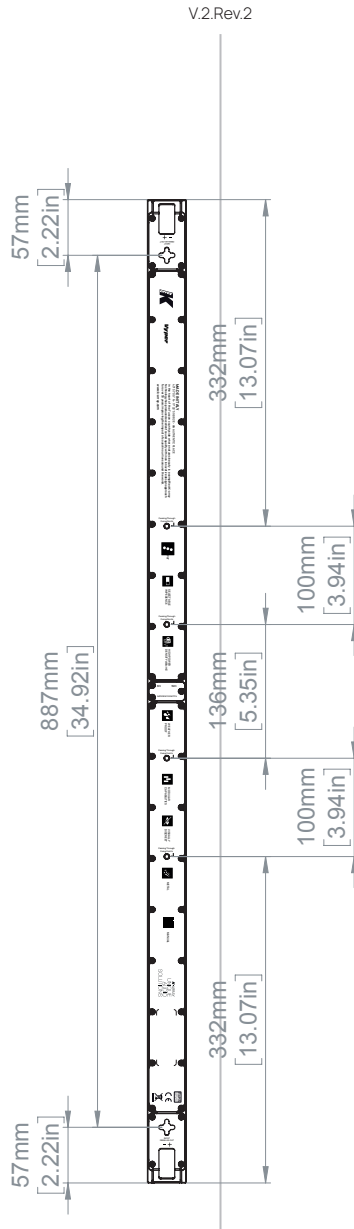
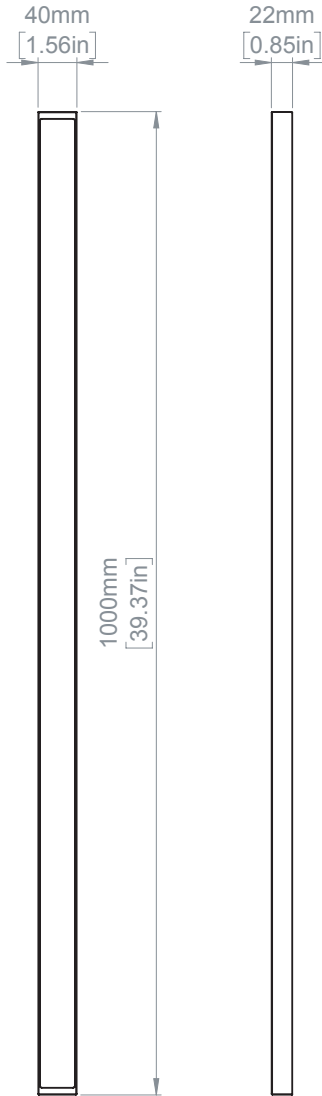
### Vyper-KV52 II / Vyper-KV52F II



### Vyper-KV52R II / Vyper-KV52FR II



Vyper-KV102 II



# Vyper-KV

USER GUIDE

## Vyper-KV102R II

50mm  
[1.95in]

1010mm  
[39.76in]

3mm  
[0.12in]

19mm  
[0.73in]

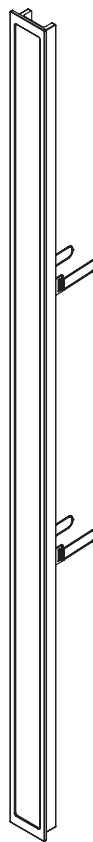
34mm  
[1.32in]

V.2.Rev.2

332mm  
[13.08in]

336mm  
[13.23in]

332mm  
[13.06in]



V.2.Rev.2

## Technical Specifications

### Vyper-KV25 II

Key Features	
Type	Passive line array loudspeaker
Transducers	4x 1" Neodymium magnet woofers
Frequency Response <sup>1</sup>	150 Hz - 18 kHz (-6 dB)
Max SPL <sup>2</sup>	108 dB peak
Coverage	V. 25° I.H. 140°
Power Handling	75 W
Nominal Impedance	8 Ω - 32 Ω
Connectors	Euroblock 2,5/ 2-ST-5,08

Handling and Finish	
Material	Aluminum
Color	Black, White, Custom RAL
IP Rating	IP65
Dimensions (WxHxD)	40 x 260 x 22 mm (1.56 x 10.24 x 0.85 in)
Weight	0.4 kg (0.88 lb)
Marine Version	Cataphoresis treatment for total coating against chemical and environmental corrosion - IP65 with dedicated accessory included

<sup>1</sup> With dedicated preset.

<sup>2</sup> Maximum SPL is calculated using a signal with crest factor 4 (12dB) measured at 8 m then scaled at 1 m.

### Vyper-KV25R II

Key Features	
Type	Passive line array loudspeaker
Transducers	4x 1" Neodymium magnet woofers
Frequency Response <sup>1</sup>	150 Hz - 18 kHz (-6 dB)
Max SPL <sup>2</sup>	108 dB peak
Coverage	V. 25° I.H. 140°
Power Handling	75 W
Nominal Impedance	8 Ω - 32 Ω
Connectors	Euroblock 2,5/ 2-ST-5,08

Handling and Finish	
Material	Aluminum
Color	Black, White, Custom RAL
IP Rating	IP65
Dimensions (WxHxD)	50 x 270 x 37 mm (1.95 x 10.63 x 1.45 in)
Weight	0.4 kg (0.88 lb)
Marine Version	Cataphoresis treatment for total coating against chemical and environmental corrosion - IP65 with dedicated accessory included

<sup>1</sup> With dedicated preset.

<sup>2</sup> Maximum SPL is calculated using a signal with crest factor 4 (12dB) measured at 8 m then scaled at 1 m.

### Vyper-KV52II

Key Features	
Type	Passive line array loudspeaker
Transducers	8x 1" Neodymium magnet woofers
Frequency Response <sup>1</sup>	150 Hz - 18 kHz (-6 dB)
Max SPL <sup>2</sup>	114 dB peak
Coverage	V. 10°   H. 140°
Power Handling	150 W
Nominal Impedance	16 Ω - 64 Ω
Connectors	Euroblock 2,5/ 2-ST-5,08

Handling and Finish	
Material	Aluminum
Color	Black, White, Custom RAL
IP Rating	IP65
Dimensions (WxHxD)	40 x 500 x 22 mm (1.56 x 19.69 x 0.85 in)
Weight	0.8 kg (1.76 lb)
Marine Version	Cataphoresis treatment for total coating against chemical and environmental corrosion - IP65 with dedicated accessory included

<sup>1</sup> With dedicated preset.

<sup>2</sup> Maximum SPL is calculated using a signal with crest factor 4 (12dB) measured at 8 m then scaled at 1 m.

### Vyper-KV52R II

Key Features	
Type	Passive line array loudspeaker
Transducers	8x 1" Neodymium magnet woofers
Frequency Response <sup>1</sup>	150 Hz - 18 kHz (-6 dB)
Max SPL <sup>2</sup>	114 dB peak
Coverage	V. 10°   H. 140°
Power Handling	150 W
Nominal Impedance	16 Ω - 64 Ω
Connectors	Euroblock 2,5/ 2-ST-5,08

Handling and Finish	
Material	Aluminum
Color	Black, White, Custom RAL
IP Rating	IP65
Dimensions (WxHxD)	50 x 510 x 37 mm (1.95 x 20.08 x 1.45 in)
Weight	0.8 kg (1.76 lb)
Marine Version	Cataphoresis treatment for total coating against chemical and environmental corrosion - IP65 with dedicated accessory included

<sup>1</sup> With dedicated preset.

<sup>2</sup> Maximum SPL is calculated using a signal with crest factor 4 (12dB) measured at 8 m then scaled at 1 m.

## Vyper-KV52FI

Key Features	
Type	Passive line array loudspeaker
Transducers	8x 1" Neodymium magnet woofers
Frequency Response <sup>1</sup>	150 Hz - 18 kHz (-6 dB)
Max SPL <sup>2</sup>	114 dB peak
Coverage	V. 60°   H. 140°
Power Handling	150 W
Nominal Impedance	16 Ω - 64 Ω
Connectors	Euroblock 2,5/ 2-ST-5,08

Handling and Finish	
Material	Aluminum
Color	Black, White, Custom RAL
IP Rating	IP65
Dimensions (WxHxD)	40 x 500 x 22 mm (1.56 x 19.69 x 0.85 in)
Weight	0.8 kg (1.76 lb)
Marine Version	Cataphoresis treatment for total coating against chemical and einvironmental corrosion - IP65 with dedicated accessory included

<sup>1</sup> With dedicated preset.

<sup>2</sup> Maximum SPL is calculated using a signal with crest factor 4 (12dB) measured at 8 m then scaled at 1 m.

## Vyper-KV52FR II

Key Features	
Type	Passive line array loudspeaker
Transducers	8x 1" Neodymium magnet woofers
Frequency Response <sup>1</sup>	150 Hz - 18 kHz (-6 dB)
Max SPL <sup>2</sup>	114 dB peak
Coverage	V. 60°   H. 140°
Power Handling	150 W
Nominal Impedance	16 Ω - 64 Ω
Connectors	Euroblock 2,5/ 2-ST-5,08

Handling and Finish	
Material	Aluminum
Color	Black, White, Custom RAL
IP Rating	IP65
Dimensions (WxHxD)	50 x 510 x 37 mm (1.95 x 20.08 x 1.45 in)
Weight	0.8 kg (1.76 lb)
Marine Version	Cataphoresis treatment for total coating against chemical and einvironmental corrosion - IP65 with dedicated accessory included

<sup>1</sup> With dedicated preset.

<sup>2</sup> Maximum SPL is calculated using a signal with crest factor 4 (12dB) measured at 8 m then scaled at 1 m.

### Vyper-KV102II

Key Features	
Type	Passive line array loudspeaker
Transducers	16x 1" Neodymium magnet woofers
Frequency Response <sup>1</sup>	150 Hz - 18 kHz (-6 dB)
Max SPL <sup>2</sup>	120 dB peak
Coverage	V. 7° I H. 140°
Power Handling	300 W
Nominal Impedance	8 Ω - 16 Ω
Connectors	Euroblock 2,5/ 2-ST-5,08

Handling and Finish	
Material	Aluminum
Color	Black, White, Custom RAL
IP Rating	IP65
Dimensions (WxHxD)	40 x 1000 x 22 mm (1.56 x 39.37 x 0.85 in)
Weight	1,8 kg (3.96 lb)
Marine Version	Cataphoresis treatment for total coating against chemical and environmental corrosion - IP65 with dedicated accessory included

<sup>1</sup> With dedicated preset.

<sup>2</sup> Maximum SPL is calculated using a signal with crest factor 4 (12dB) measured at 8 m then scaled at 1 m.

### Vyper-KV102R II

Key Features	
Type	Passive line array loudspeaker
Transducers	16x 1" Neodymium magnet woofers
Frequency Response <sup>1</sup>	150 Hz - 18 kHz (-6 dB)
Max SPL <sup>2</sup>	120 dB peak
Coverage	V. 7° I H. 140°
Power Handling	300 W
Nominal Impedance	8 Ω - 16 Ω
Connectors	Euroblock 2,5/ 2-ST-5,08

Handling and Finish	
Material	Aluminum
Color	Black, White, Custom RAL
IP Rating	IP65
Dimensions (WxHxD)	50 x 1010 x 37 mm (1.95 x 39.76 x 1.45 in)
Weight	1,8 kg (3.96 lb)
Marine Version	Cataphoresis treatment for total coating against chemical and environmental corrosion - IP65 with dedicated accessory included

<sup>1</sup> With dedicated preset.

<sup>2</sup> Maximum SPL is calculated using a signal with crest factor 4 (12dB) measured at 8 m then scaled at 1 m.





K-ARRAY Srl  
Via P. Romagnoli 17 - 50038  
Scarperia e San  
Piero  
Firenze - Italy  
P.IVA/VAT/CF  
06206990480  
Phone: +39 055- 8487222  
Email: [info@karray.com](mailto:info@karray.com)