



ENG • ITA

Tornado-KT2

Tornado-KT2C

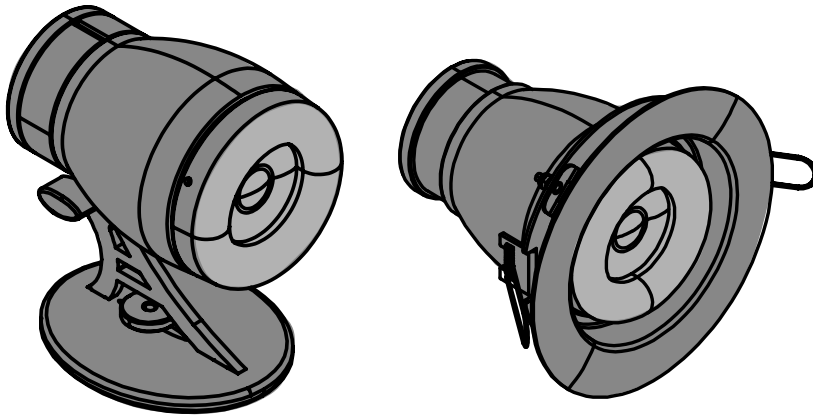
Tornado-KT2HV

2" aluminum point source loudspeakers for wall mount and flushed installations
70V High voltage version available

USER GUIDE




V2.Rev9.




This page intentionally left blank

IMPORTANT SAFETY INSTRUCTIONS



CAUTION

RISK OF ELECTRIC SHOCK
DO NOT OPEN



ATTENTION: RISQUE DE CHOC ELECTRIQUE NE PAS OUVRI

CAUTION: TO REDUCE THE RISK OF ELECTRIC SHOCK,
DO NOT REMOVE COVER (OR BACK).
NO USER-SERVICEABLE PARTS INSIDE.
REFER SERVICING TO QUALIFIED SERVICE PERSONNEL.



This symbol alerts the user to the presence of recommendations about the product's use and maintenance.



The lighting flash with arrowhead symbol within an equilateral triangle is intended to alert the user to the presence of uninsulated, dangerous voltage within the product enclosure that may be of magnitude to constitute a risk of electrical shock.



The exclamation point within an equilateral triangle is intended to alert the user to the presence of important operating and maintenance (servicing) instructions in this guide.



Operator's manual; operating instructions
This symbol identifies the operator's manual that relates to the operating instructions and indicates that the operating instructions should be considered when operating the device or control close to where the symbol is placed.




For indoor use only
This electrical equipment is designed primarily for indoor use.



WEEE
Please dispose of this product at the end of its operational lifetime by bringing it to your local collection point or recycling center for such equipment.



This device complies with Restriction of Hazardous Substances Directive.



WARNING

Failure to follow these safety instructions could result in fire, shock or other injury or damage to the device or other property.

General heed and warnings

- Read these instructions.
- Keep these instructions.
- Heed all warnings.
- Follow all instructions.
- Do not use this apparatus near water.
- Clean only with dry cloth.
- Do not block any ventilation openings. Install in accordance with the manufacturer's instructions.
- Do not install near any heat sources such as radiators, heat registers, stoves, or other apparatus (including amplifiers) that produce heat
- Do not defeat the safety purpose of the polarized or grounding plug. A polarized plug has two blades with one wider than the other. A grounding plug has two blades and a third grounding prong. The wide blade or the third prong is provided for your safety. If the provided plug does not fit into your outlet, consult an electrician for replacement of the obsolete outlet.
- Only use attachments/accessories specified by the manufacturer.
- Protect the power cord from being walked on or pinched particularly at the plugs, convenience receptacles, and at the point where they exit from the apparatus.
- Clean the product only with a soft and dry fabric. Never use liquid cleaning products, as this may damage the products cosmetic surfaces.
- Use only with the cart, stand, tripod, bracket, or table specified by the manufacturer, or sold with the apparatus. When a cart is used, use caution when moving the cart/apparatus combination to avoid injury from tip-over.
- Unplug this apparatus during lightning storms or when unused for long periods of time.
- Avoid placing the product in a location under direct sunlight or near any appliance that generates UV (Ultra Violet) light, as this may change the product surface finishing and cause a change in color.
- Refer all servicing to qualified service personnel. Servicing is required when the apparatus has been damaged in any way, such as power-supply cord or plug is damaged, liquid has been spilled or objects have fallen into the apparatus, the apparatus has been exposed to rain or moisture, does not operate normally, or has been dropped.
- CAUTION: These servicing instructions are for use by qualified service personnel only. To reduce the risk of electric shock, do not perform any servicing other than that contained in the operating instructions unless you are qualified to do so.
- WARNING: Only use attachments/accessories specified or provided by the manufacturer (such as the exclusive supply adapter, battery, etc.).
- Before turning the power on or off for all devices, set all volume levels to minimum.
- Use only speaker cables for connecting speakers to the speaker terminals.



This apparatus is intended for professional use.

Installation and commissioning may only be carried out by qualified and authorized personnel.

Tornado-KT2

User Guide

V2.Rev9.

Be sure to observe the amplifier's rated load impedance particularly when connecting speakers in parallel. Connecting an impedance load outside the amplifier's rated range can damage the apparatus.

- K-array cannot be held responsible for damage caused by improper use of the loudspeakers.
- K-array will not shoulder any responsibilities for products modified without prior authorization.

CE Statement

K-array declares that this device is in compliance with applicable CE standards and regulations. Before putting the device into operation, please observe the respective country-specific regulations!



Trademark Notice

All trademarks are the property of their respective owners.

Index

Features	7
General	7
Applications	7
Finishes	7
Unpacking	7
Package Contents	7
KT2	7
KT2C	7
Rear Panel	8
Wiring	8
Impedance selection	8
Amplifier Channel Matching	9
KT2-HV / KT2-HV - 70V configuration	9
Installation	11
KT2 Wall-mount installation	11
KT2C	12
In ceiling installation	12
KT2 and KT2C EN 54-24:2008	14
Compliant	14
Note	14
Accessories	15
Suspension with K-T2PEN10	15
KA1-T2H amplifier module	17
Mechanical Drawings	18
Tornado-KT2	18
Tornado-KT2C	19
Technical Specifications	20
KT2, KT2C	20
KT2, KT2C EN 54-24:2008	20

Tornado-KT2

User Guide

V2.Rev9.

Thank you for choosing this K-array products!

To ensure proper operation, please carefully read the owner's manuals and safety instruction before using the products. After reading this manual, make sure to keep it for future reference.

If you have any questions about your new device please contact K-array customer service at support@k-array.com or contact the official K-array distributor in your country.

The Tornado family is composed of miniature loudspeakers KT2 and KT2C designed for high-quality distributed systems. (KT2-HV and KT2C-HV are available in a 70V, version compatible with high voltage lines).

Housed in a compact aluminum enclosure, Tornado-KT2 is suitable for space sensitive and architectural design installations, thanks to the versatile bracket for wall mount included and a brand-new accessory for ceiling hanging.

When you need a solution that completely hides the sources from sight, the KT2C includes practical clamps for recessed installations.

Featuring a 2" high-efficiency drive unit with a neodymium magnet structure and a suspension engineered for maximum linear excursion and minimum residual noise, the transducers delivers an impressive maximum peak SPL of 107 dB, and has a wide operating frequency range from 150 Hz to 18 kHz with very low distortion.

Designed as passive speakers, they can be easily converted into self-powered devices by inserting the KA1-T2 12V/24V amplifier module accessory.

Features

General

- High performance-to-size ratio
- Single 2" long excursion full range driver
- Wide-range frequency response
- Integrated 4-pin Phoenix connector
- Double voice-coil driver for variable impedance 8-32Ω
- 70V version available
- Compact aluminium ultra strong chassis
- Weather resistant IP65
- EN54-24 certified

Applications

- Museums and exhibitions
- Space-sensitive fills and distributed systems for speech and music
- Restaurants, clubs, pubs
- Retails
- Installed A/V systems

Finishes

- KT2 and KT2C black model
- KT2W and KT2CW white model
- KT2X and KT2CX customized color
- KT2-HV and KT2C-HV 70V high voltage version available

Unpacking

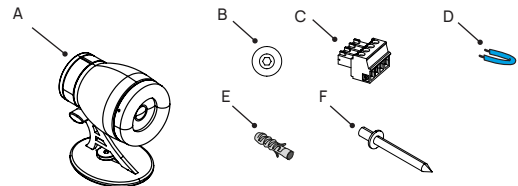
Package Contents

Each K-array product is built to the highest standard and thoroughly inspected before leaving the factory.

Upon arrival, carefully inspect the shipping carton, then examine and test your new device. If you find any damage, immediately notify the shipping company.

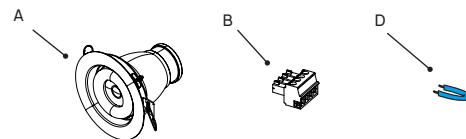
KT2

- 1x KT2 passive loudspeaker
- 1x M5 turned steel thumb nut
- 1x 4-pin Phoenix connector (Euroblock compatible MC 1.5/4-ST-3.81)
- 1x Jumper cable for impedance setting.
- 1x Nylon anchor 6x30mm
- 1x Double threaded screw



KT2C

- 1x KT2C passive loudspeaker with incorporated clamps for in-ceiling mounting
- 1x 4-pin Phoenix connector (Euroblock compatible MC 1.5/4-ST-3.81)
- 1x jumper cable for impedance settings

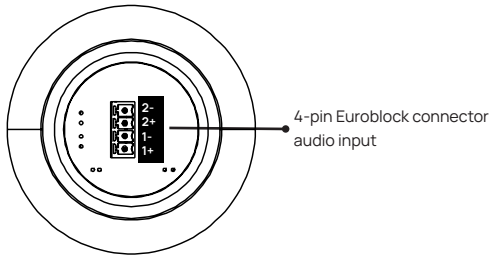


Tornado-KT2

User Guide

V2.Rev9.

Rear Panel



Wiring

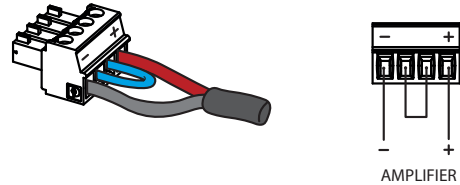
Impedance selection

For easy connectivity and link, the KT2 and KT2C loudspeakers feature Euroblock 4 pin inlets, for Phoenix 1.5/4-ST-3.81 compatible flying plug.

It is possible to set the speaker at high or low impedance with two different wiring configuration, wiring in series or in parallel the two voice coils:

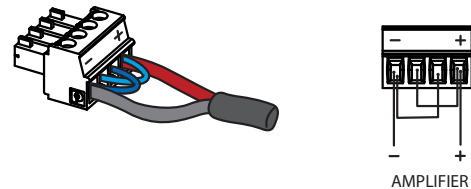
32 Ω		
PIN 1	●	SIGNAL -
PIN 2	●	bridged
PIN 3	●	
PIN 4	●	SIGNAL +

HIGH Z - 32Ω



8 Ω	
PIN 1	● SIGNAL - parallel(-)
PIN 2	● SIGNAL + parallel(+)
PIN 3	● SIGNAL - parallel(-)
PIN 4	● SIGNAL + parallel(+)

LOW Z - 8Ω



Amplifier Channel Matching

The number of KT2 or KT2C that can be connected in parallel to the same amplifier channel depends on the amplifier model and power and loudspeaker settings.



Always check the loudspeaker impedance before connecting the amplifier.

The parallel connection lowers the total load impedance: caution must be taken to maintain the load impedance of the paralleled speakers above the amplifier's minimum loading impedance.

Please refer to the [Amplifier-to-Speaker matching table](#) available on K-array website for details about the maximum number of loudspeakers that can be driven by a single amplifier channel.



Before connecting the loudspeaker cable to the amplifier:





- ensure the loudspeaker impedance matches the amplifier channel rated load impedance, especially when connecting multiple loudspeakers in parallel;
- load the dedicated loudspeaker factory preset on the amplifier DSP.











Before driving the loudspeakers ensure to load the proper loudspeaker factory preset on Kommander-KA amplifier

KT2-HV / KT2-HV - 70V configuration

Tornados are available also in the 70V version KT2-HV and KT2C-HV, compatible with high voltage lines.

KT2-HV - KT2C-HV	
PIN 1	 SIGNAL -
PIN 2	 SIGNAL +
PIN 3	 NOT CONNECTED
PIN 4	 NOT CONNECTED

The very high impedance of the speakers allows to connect up to 100 units in parallel and drive them by a single channel (+ -) of a Kommander-KA104 or KA208 amplifier (fig1)

KA104 - 4CH / KA208 - 8CH		
CH1	 single channel	UP TO 100 UNITS
CH2	 single channel	/
CH3	 single channel	/
CH4	 single channel	/
CH5	 single channel	/
CH6	 single channel	/
CH7	 single channel	/
CH8	 single channel	/

Tornado-KT2

User Guide

V2.Rev9.

fig1

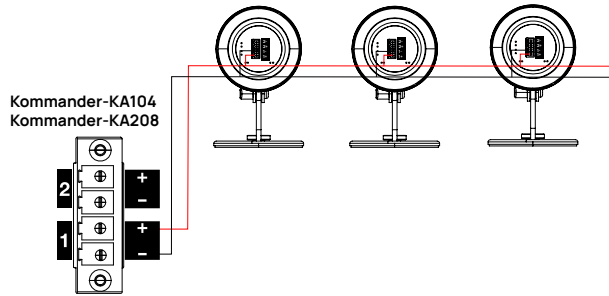
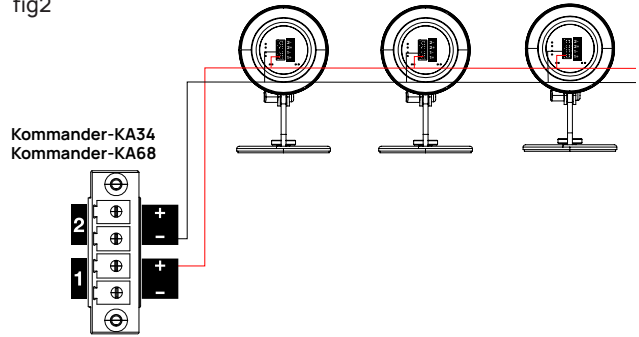


fig2



The half number of units in parallel (50 units) can be driven by two channels of a Kommander-KA34 or KA68 in bridge mode, and as explained in the table is better to take the signal from + and - of adjacent channels. (fig2)

WARNING

Failing to adhere to this configuration may result in damage to the connected devices or equipment.

• 20251128 •

KA34 - 4CH / KA64 - 8CH		
CH 1	●	In Bridge mode
CH 2	●	
CH 3	●	In Bridge mode
CH 4	●	
CH 5	●	In Bridge mode
CH 6	●	
CH 7	●	In Bridge mode
CH 8	●	

UP TO 50
UNITS

/

/

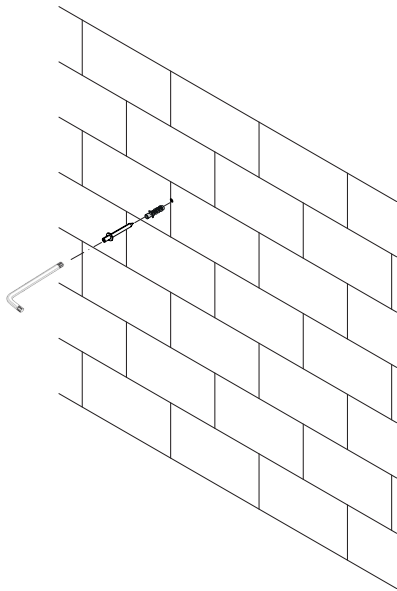
/

Installation

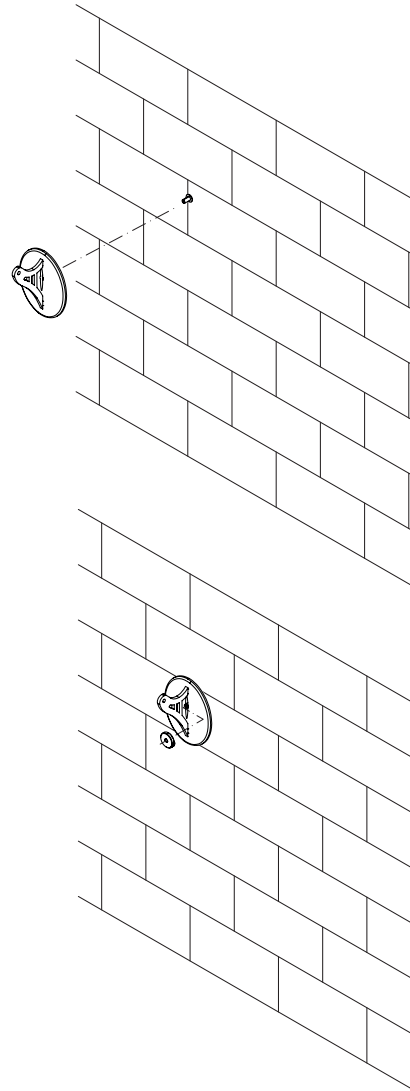
KT2 Wall-mount installation

KT2 comes with a solid stainless steel bracket for wall mounting. It is possible to use the threaded screw and the steel round nut provided in the package to mount the speaker to the wall; the bracket of the speaker allows also to adjust the tilting angle to obtain the desired inclination and coverage. Follow this procedure to mount and fix the speaker:

1. Make sure to have all the tools you need to mount the speaker to the wall: a 6mm drill and an Allen key
2. Identify the optimal placement location based on the area that requires sound coverage.
3. Use the drill and make a hole of 6mm (0,11 in) into the wall. Insert the threaded screw and fix it with the Allen key.



4. Thread the bracket plate onto the threaded screw and fasten it in place with the steel nut.

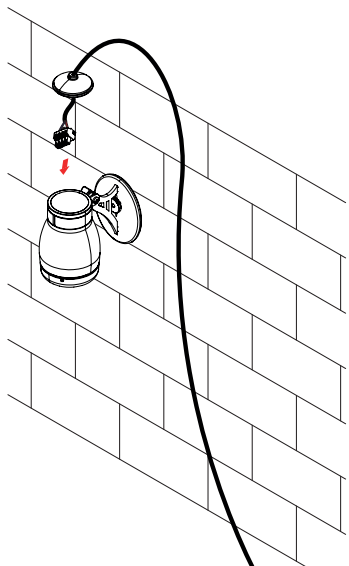


Tornado-KT2

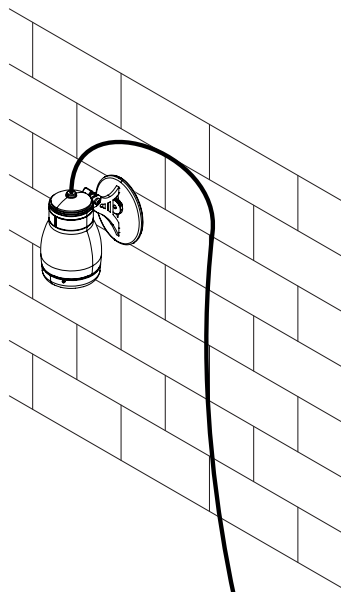
User Guide

V2.Rev9.

5. Connect the speaker using the dedicated Euroblock connector. .



6. KT2 is finally install on wall with the dedicated wall-mount bracket.



• 20251128 •



WARNING

Failure to set the appropriate impedance can lead to damages to the connected equipment.

KT2C

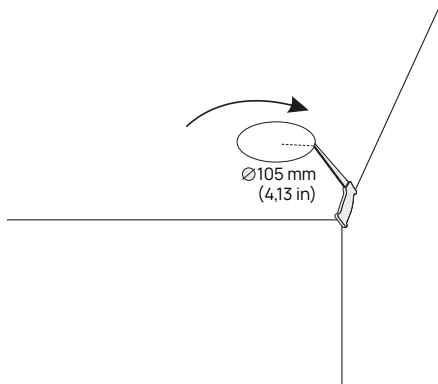
In ceiling installation

KT2C is designed to be installed into the ceiling and it is equipped with clamps for recessed installation.

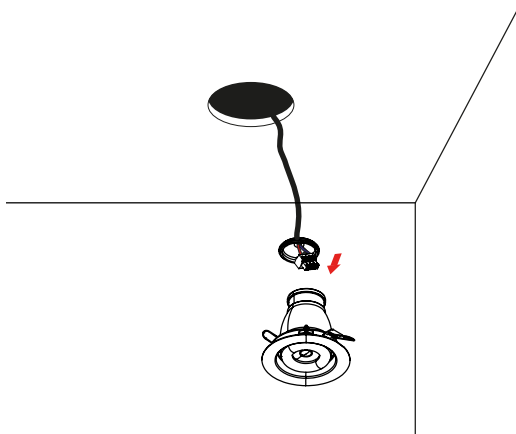
To recess the speaker in ceiling, please follow this steps:

1. Choose the ideal spot in the plasterboard ceiling for your KT2C speaker, ensuring it's free of obstacles and suitable for optimal sound distribution.
2. Measure and mark the precise speaker placement location on the ceiling and use the appropriate tools to cut a hole of 105mm (4,13 in). Connect the speaker's wires with the Euroblock connector, in this case as well be sure to select the correct impedance setting.

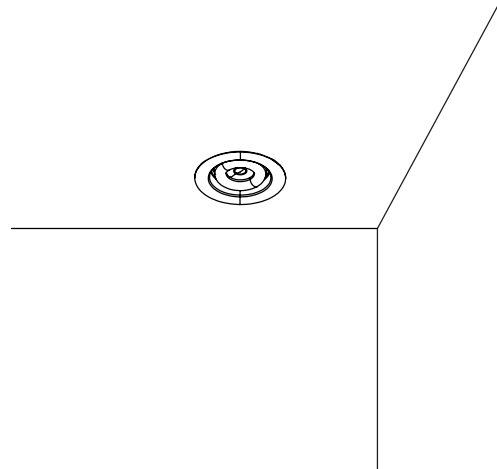
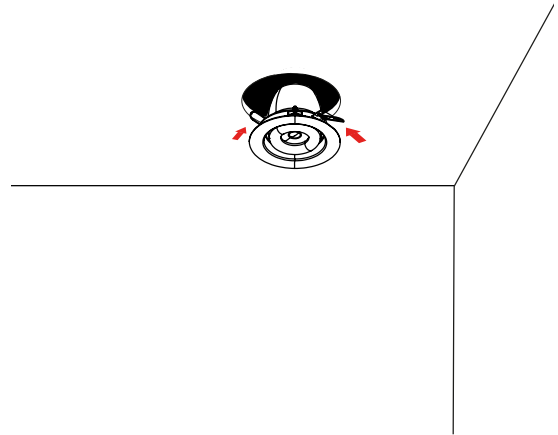
V2.Rev9.



3. Position the speaker inside the hole by folding the spring clamps inward.



4. KT2C installation on ceiling is complete Description



Tornado-KT2

User Guide

V2.Rev9.

KT2 and KT2C EN 54-24:2008

Compliance

The Tornado-KT2 and KT2C are ultra-compact loudspeakers certified according to EN 54-24:2008, designed for voice alarm and paging systems where discreet aesthetics and high speech intelligibility are critical. Despite their minimal footprint, they deliver clear and focused sound for use in museums, hotels, retail areas, and public spaces. Both models are certified as Type B (outdoor use) and rated IP65, offering protection against dust and water, making them suitable for indoor and sheltered outdoor installations.

The KT2C features fire-resistant cabling for direct fixed wiring, while the KT2 provides rear connection via terminal block, allowing integration flexibility depending on installation requirements.

Note

This product is certified for voice alarm use under EN 54-24:2008 and must be operated at a rated power of 15 W in accordance with the standard.

• 20251128 •

Accessories

Suspension with K-T2PEN10

The new accessory K-T2PEN allows the KT2 to be suspended from ceiling for a discreet installation.

The K-T2PEN is composed of a suspension spring with holders and a cable fastener with a screw and it can be purchased in a 10-piece kit.

To suspend the KT2 from the ceiling with a proper installation of the K-T2PEN, please follow this procedure:

First, ensure that you have all the components of the accessory kit.

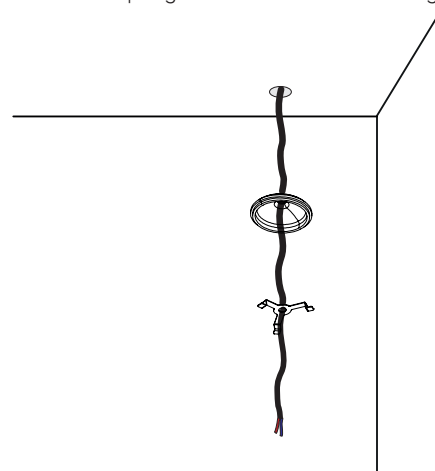
suspension spring



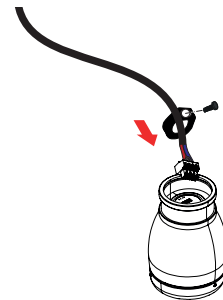
cable fastener and screw



1. Choose a cable with a sheath for better insulation and thread the spring and the rubber cover through the cable.



2. Strip the cable for at least 2cm to prepare for the wiring and pass the cable through the cable fastener.
3. Connect the speaker with the proper wiring and impedance settings and fasten the cable fastener with the dedicated screw.

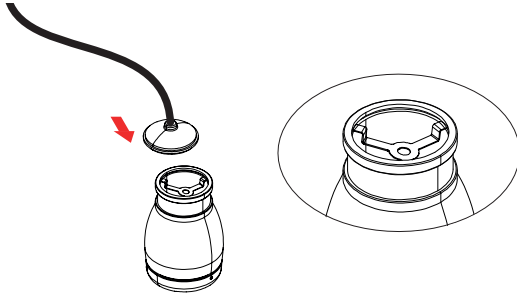


Tornado-KT2

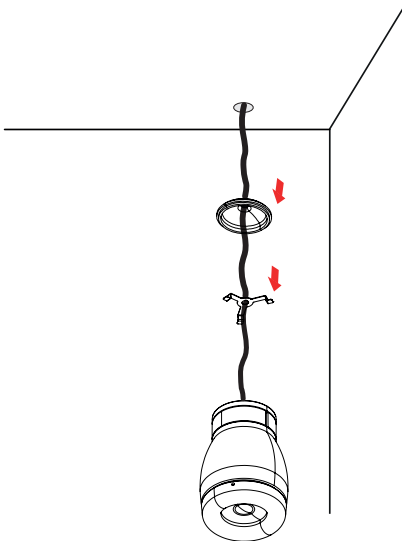
User Guide

V2.Rev9.

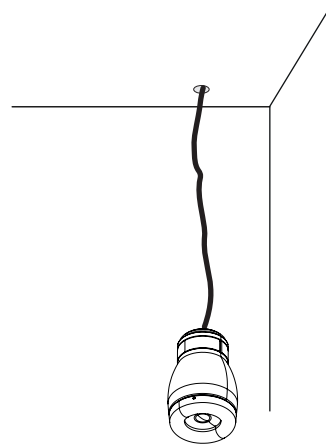
- Securely affix the spring inside the speaker enclosure using the holders as attachments. The spring plays a crucial role in supporting the entire suspension of the speaker, so ensure it is properly fastened.



- Thread the rubber cover through the cable and then close the speaker cabinet.



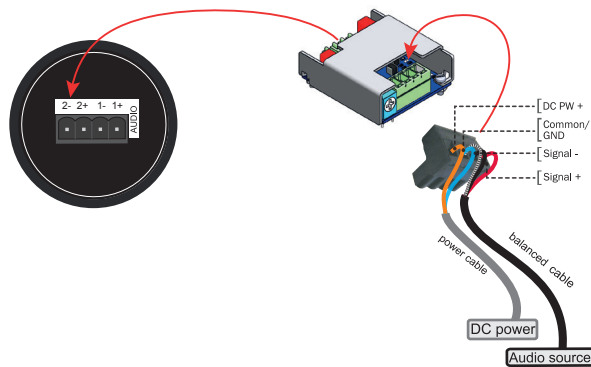
- Now, your KT2 speaker is successfully suspended from the ceiling.



KA1-T2H amplifier module

KT2 and KT2C can be easily converted into self-powered devices by inserting the KA1-T2 12V/24V amplifier module accessory.

The amplification module is equipped with a Euroblock connector with power input and audio input (+ -). To connect the module to the speaker, you can follow the wiring represented in this image:



Service

To obtain service:

1. Please have the serial number (s) of the unit (s) available for reference.
2. Contact the official K-array distributor in your country: find the Distributors and Dealers list on K-array website. Please describe the problem clearly and completely to the Customer Service.
3. You will be contacted back for on line servicing.
4. If the problem cannot be resolved over the phone, you may be required to send the unit in for service. In this instance, you will be provided with an RA (Return Authorization) number which should be included on all shipping documents and correspondence regarding the repair. Shipping charges are the responsibility of the purchaser.

Any attempt to modify or replace components of the device will invalidate your warranty. Service must be performed by an authorized K-array service center.

Cleaning

Use only a soft, dry cloth to clean the housing. Do not use any solvents, chemicals, or cleaning solutions containing alcohol, ammonia, or abrasives. Do not use any sprays near the product or allow liquids to spill into any openings.

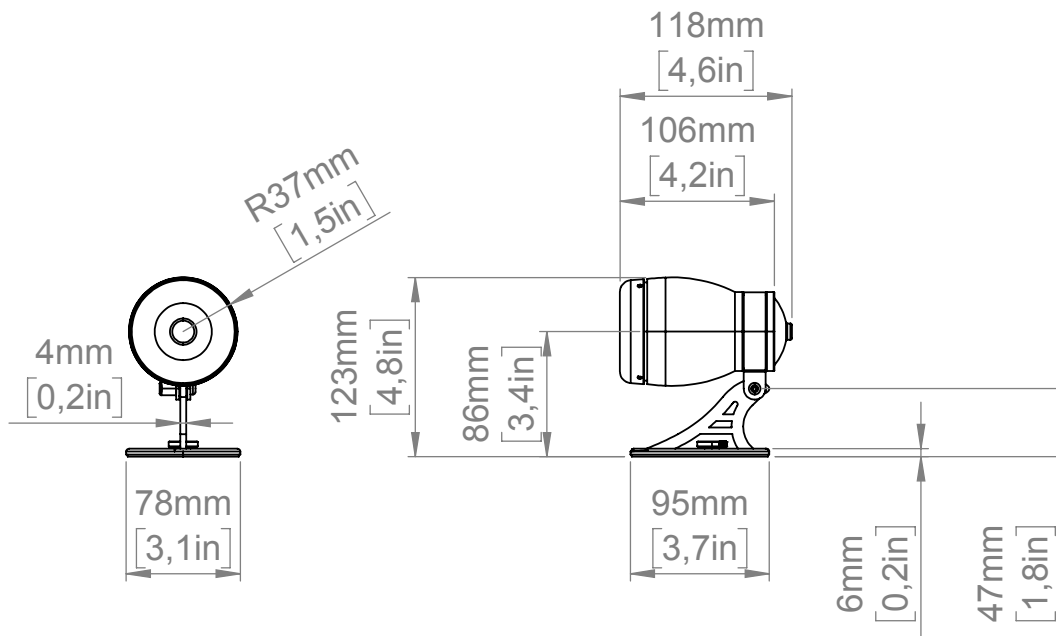
Tornado-KT2

User Guide

V2.Rev9.

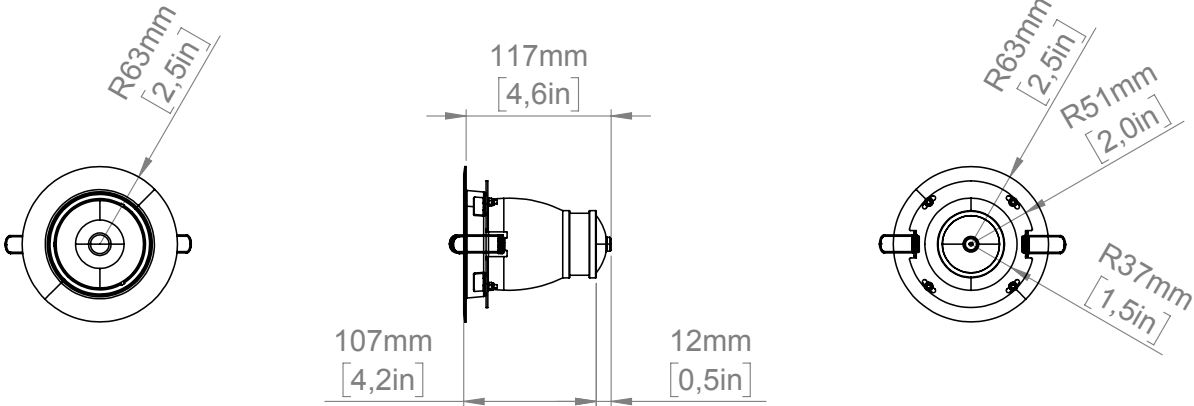
Mechanical Drawings

Tornado-KT2



• 20251128 •

Tornado-KT2C



•20251128•

Tornado-KT2

User Guide

V2.Rev9.

Technical Specifications

KT2, KT2C

General	
Type	Point source
Transducers	2" neodymium magnet woofer
Frequency Response ¹	150 Hz - 18kHz (-6 dB)
Max SPL ²	107 dB (peak)
Rated Power	18 W
Coverage	V.90° / H.90°
Nominal Impedance	8 Ω / 32 Ω selectable 70V version avail. upon request
Connectors	4PIN Euroblock connector

Handling & Finishes	
Material	Aluminum
Colors	Black, White, Custom RAL
IP Rating	IP65
Dimensions (WxHxD) ³	KT2: (W x H x D): 74 x 74 x 118mm (2.91 x 2.91 x 4.65 in) KT2C: 125 x 125 x 119 mm (4.92 x 4.92 x 4.69 in)
Weight	0.6 kg (1.32 lb)

¹ With dedicated preset.

² Maximum SPL is calculated using a signal with crest factor 4 (12dB) measured at 8 m then scaled at 1 m.

³ Brackets not included in measures.

KT2, KT2C EN 54-24:2008

General		
Type	Point source	
Transducers	2" neodymium magnet woofer	
Frequency Response ¹	150 Hz - 18kHz (-6 dB)	
Max SPL ²	100 dB (peak)	
Rated Power ³	15 W	
Rated noise voltage	8,2 V / 16,4 V	
Coverage Vertical & Horizontal	H. 180° @ 500 Hz H. 180° @ 1000 Hz H. 180° @ 2000 Hz H. 120° @ 4000 Hz	V. 180° @ 500 Hz V. 180° @ 1000 Hz V. 180° @ 2000 Hz V. 120° @ 4000 Hz
Nominal Impedance	8 Ω / 32 Ω selectable 70V version avail. upon request	
Connectors	4PIN Euroblock connector	

Handling & Finishes	
Material	Aluminum
Colors	Black, White, Custom RAL
IP Rating	IP54
Dimensions (WxHxD) ⁴	KT2: (W x H x D): 74 x 74 x 118mm (2.91 x 2.91 x 4.65 in) KT2C: 125 x 125 x 119 mm (4.92 x 4.92 x 4.69 in)
Weight	0.6 kg (1.32 lb)

¹ With dedicated preset.

² The maximum SPL is calculated using a test signal with a crest factor of 4 (12 dB), measured at 8 meters and then scaled to 1 meter. In accordance with EN 54-24:2008, the declared maximum SPL corresponds to a level at least 3 dB below this calculated peak value (continuous operation -6dB)

³ In compliance with EN 54-24:2008, the peak power rating is declared at 15 W for voice alarm use.

⁴ Brackets not included in measures

KT2 - KT2C

Rated Power 15W

SPL 1W/1m 89dB

Maximum SPL 100dB peak

Connector IN voice coil A 1+ 1-
voice coil B 2+ 2-
Double coil 1+ 2- (1- 2+ CC)

Vmax In (Pink Noise) 8,20 V@ 8 Ω
16,40 V@ 32 Ω

Frequency Range 150 Hz - 18kHz

Coverage Horizontal 180° Hz @ 500 Hz
180° Hz @ 1000 Hz
180° @ 2000Hz
120° @ 4000Hz

Coverage Vertical 180° Hz @ 500 Hz
180° Hz @ 1000 Hz
180° @ 2000Hz
120° @ 4000Hz

KT2 and KT2C are EN54-24 compliant. Consider the specifications listed above when either model is used in a voice alarm system.



17
0668-CPR-082/2017

K-array s.r.l
SCARPERIA E SAN PIERO (Fi)
VIA PAOLINA ROMAGNOLI
S.N. CAP 50038 (EX SAN
PIERO A SIEVE)

EN 54-24:2008

**Altoparlante per sistemi di allarme vocale per sistemi
di rilevazione e di segnalazione d'incendio**

KT2 - KT2C

Opzioni fornite: Tipo B

DOP nr: KT2 - KT2C



Designed and Made in Italy

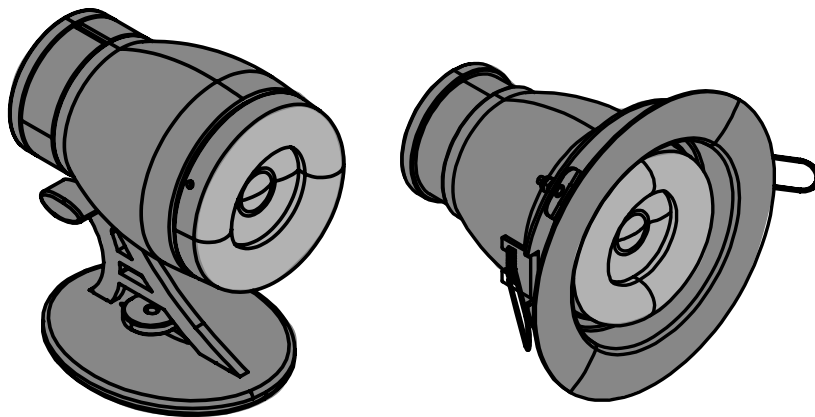
K-ARRAY Srl -
Via P. Romagnoli 17 - 50038
Scarperia e San
Piero
Firenze - Italy
P.IVA/VAT/CF
06206990480
Phone: +39 055- 8487222
Email: info@karray.com

Tornado-KT2

Tornado-KT2C

Tornado-KT2HV

Diffusori puntiformi da 2" in alluminio per installazioni a parete o a incasso
Disponibile versione a tensione elevata 70V



ISTRUZIONI DI SICUREZZA



CAUTION
RISK OF ELECTRIC SHOCK
DO NOT OPEN



ATTENTION: RISQUE DE CHOC ELECTRIQUE NE PAS OUVRIR

CAUTION: TO REDUCE THE RISK OF ELECTRIC SHOCK,
DO NOT REMOVE COVER (OR BACK).
NO USER-SERVICEABLE PARTS INSIDE.
REFER SERVICING TO QUALIFIED SERVICE PERSONNEL.



Questo simbolo avvisa l'utente della presenza di raccomandazioni sull'uso e la manutenzione del prodotto.



Il simbolo del lampo con punta a freccia all'interno di un triangolo equilatero ha lo scopo di avvisare l'utente della presenza di tensione pericolosa non isolata all'interno dell'involucro del prodotto, di entità sufficiente da costituire un rischio di scossa elettrica.



Il punto esclamativo all'interno di un triangolo equilatero ha lo scopo di avvisare l'utente della presenza di importanti istruzioni per il funzionamento e la manutenzione (assistenza) contenute in questo manuale.



Questo simbolo identifica il manuale d'uso relativo alle istruzioni operative e indica che tali istruzioni devono essere consultate durante il funzionamento del dispositivo o del comando in prossimità del quale il simbolo è posizionato.



Questo dispositivo elettrico è progettato principalmente per l'uso in ambienti interni.



WEEE
Si prega di smaltire questo prodotto, al termine del suo ciclo di vita, portandolo presso un punto di raccolta o un centro di riciclo locale per apparecchiature di questo tipo.



Questo dispositivo è conforme alla Direttiva sulla Restrizione dell'Uso di Sostanze Pericolose (RoHS).



Avvertenza. Il mancato rispetto di queste istruzioni di sicurezza potrebbe causare incendi, scosse elettriche o altri infortuni o danni al dispositivo o ad altri beni.

Avvertenze e precauzioni generali

- Leggere queste istruzioni.
- Conservare queste istruzioni.
- Prestare attenzione a tutte le avvertenze.
- Seguire tutte le istruzioni.
- Non utilizzare questo apparecchio vicino all'acqua.
- Pulire solo con un panno asciutto.
- Non ostruire nessuna apertura di ventilazione. Installare in conformità con le istruzioni del produttore.
- Non installare vicino a fonti di calore come radiatori, registri di calore, stufe o altri apparecchi (compresi amplificatori) che producono calore.
- Utilizzare solo accessori/attacchi specificati dal produttore.
- Pulire il prodotto solo con un panno morbido e asciutto. Non utilizzare mai prodotti di pulizia liquidi, in quanto potrebbero danneggiare le superfici estetiche del prodotto.
- Utilizzare solo con il carrello, supporto, treppiede, staffa o tavolo specificato dal produttore, o venduto insieme all'apparecchio.
- Quando si utilizza un carrello, fare attenzione quando si sposta la combinazione carrello/apparecchio per evitare lesioni da ribaltamento.
- Scollegare questo apparecchio durante temporali o quando non viene utilizzato per lunghi periodi di tempo.
- Affidarsi a personale di assistenza qualificato per qualsiasi intervento di manutenzione.
- La manutenzione è necessaria quando l'apparecchio è stato danneggiato in qualche modo, come ad esempio se il cavo di alimentazione o la spina sono danneggiati, se sono stati versati liquidi o se sono caduti oggetti nell'apparecchio.
- **ATTENZIONE:** Queste istruzioni di manutenzione sono destinate esclusivamente al personale di assistenza qualificato. Per ridurre il rischio di scosse elettriche, non eseguire alcuna manutenzione diversa da quella contenuta nelle istruzioni operative, a meno che tu non sia qualificato per farlo.
- **AVVERTENZA:** Utilizzare solo accessori o componenti specificati o forniti dal produttore (come l'adattatore di alimentazione esclusivo, la batteria, ecc.). Prima di accendere o spegnere tutti i dispositivi, impostare tutti i livelli del volume al minimo. Utilizzare esclusivamente cavi per altoparlanti per collegare gli altoparlanti ai terminali degli altoparlanti. Prestare particolare attenzione all'impedenza nominale di carico dell'amplificatore, soprattutto quando si collegano altoparlanti in parallelo. Collegare un carico di impedenza al di fuori del range nominale dell'amplificatore può danneggiare l'apparecchio.

Questi apparecchi sono destinati a un uso professionale.

L'installazione e la messa in servizio devono essere effettuate esclusivamente da personale qualificato e autorizzato.

Tornado-KT2

MANUALE UTENTE

V2.Rev.9

- K-array non si assume alcuna responsabilità per danni causati da un uso improprio degli altoparlanti. K-array non si assume responsabilità per prodotti modificati senza previa autorizzazione.

CE

K-array dichiara che questo dispositivo è conforme alle norme e ai regolamenti CE applicabili. Prima di mettere in funzione il dispositivo, si prega di osservare le normative specifiche del paese di utilizzo.



Avviso sui Marchi Registrati

Tutti i marchi sono di proprietà dei rispettivi titolari.

Index

Caratteristiche principali	7
Generali	7
Applicazioni	7
Finiture	7
Disimballaggio	7
Contenuto della confezione	7
KT2	7
KT2C	7
Pannello connettore	8
Cablaggio	8
Impedenza selezionabile	8
Compatibilità con i canali dell'amplificatore	9
KT2-HV / KT2C-HV – Configurazione 70V	9
Installazione	11
Installazione a muro con staffa inclusa	11
KT2C	12
Installazione a soffitto	12
KT2 e KT2C EN 54-24:2008	14
Conformità	14
Nota !	14
Accessori	15
Appendimento / sospensione a soffitto K-T2PEN10	15
Modulo amplificatore KA1-T2H	17
Assistenza	17
Pulizia e Manutenzione	17
Disegni meccanici	18
Tornado-KT2	18
Tornado-KT2C	19
Specifiche Tecniche	20
KT2, KT2C	20
KT2, KT2C EN 54-24:2008	20

Grazie per aver scelto un prodotto K-array!

Per garantire il corretto funzionamento, ti invitiamo a leggere attentamente il manuale d'uso e le istruzioni di sicurezza prima di utilizzare il prodotto.

Dopo la lettura, conserva questo manuale per eventuali consultazioni future.

Per qualsiasi domanda sul tuo nuovo dispositivo, contatta il servizio clienti K-array all'indirizzo support@k-array.com oppure rivolgiti al distributore ufficiale K-array del tuo paese.

La serie Tornado include i diffusori ultra-compatti KT2 e KT2C, progettati per sistemi audio distribuiti ad alta qualità. Sono disponibili anche nelle versioni KT2-HV e KT2C-HV, compatibili con impianti a tensione elevata (70V).

Grazie al design in alluminio e alle dimensioni ridotte, il Tornado-KT2 si adatta perfettamente a installazioni in ambienti con vincoli architettonici o spazi limitati. È dotato di una staffa versatile per il montaggio a parete e può essere installato anche a soffitto con un nuovo accessorio dedicato.

Per applicazioni in cui il diffusore deve essere completamente nascosto alla vista, il modello KT2C offre pratiche clip per l'installazione a incasso.

Entrambi i modelli montano un trasduttore ad alta efficienza da 2" con magnete in neodimio e sospensione progettata per garantire un'escursione lineare ottimale e una rumorosità minima. Il risultato è un elevato SPL (livello di pressione sonora di picco), fino a 107 dB, e una risposta in frequenza estesa, da 150 Hz a 18 kHz, con distorsione estremamente ridotta.

Pur essendo progettati come diffusori passivi, possono essere facilmente trasformati in diffusori attivi grazie al modulo amplificatore opzionale KA1-T2, disponibile nelle versioni 12V o 24V.

Caratteristiche principali

Generali

- Elevato rapporto prestazioni/dimensioni
- Driver full-range da 2" a lunga escursione
- Risposta in frequenza estesa
- Connettore integrato a 4 poli tipo Phoenix
- Driver a doppia bobina per impedenza variabile da 8 a 32Ω
- Versione a 70V / 100V disponibile
- Chassis ultra-resistente in alluminio compatto
- Resistente agli agenti atmosferici (IP65)
- Certificato EN54-24

Applicazioni

- Musei ed esposizioni
- Sistemi discreti distribuiti per musica di sottofondo e annunci, in ambienti con vincoli di spazio
- Ristoranti, club, pub
- Negozi e spazi retail
- Impianti audio/video fissi (installed A/V)

Finiture

- KT2 e KT2C: versione nera
- KT2W e KT2CW: versione bianca
- KT2X e KT2CX: versione con colore personalizzato
- KT2-HV e KT2C-HV: disponibili nella versione a tensione elevata 70V / 100V

Disimballaggio

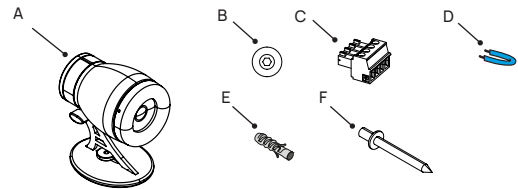
Contenuto della confezione

Ogni prodotto K-array è realizzato secondo i più alti standard qualitativi e viene sottoposto a un rigoroso controllo prima di lasciare lo stabilimento.

Al momento della consegna, ispeziona con attenzione l'imballo e verifica lo stato e il funzionamento del dispositivo. In caso di danni, contatta immediatamente il corriere.

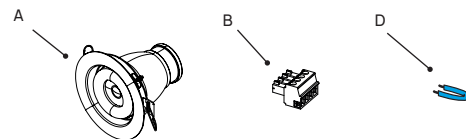
KT2

- 1 diffusore passivo KT2
- 1 dado zigrinato in acciaio tornito M5
- 1 connettore Phoenix a 4 poli (compatibile Euroblock MC 1.5/4-ST-3.81)
- 1 cavo jumper per la configurazione dell'impedenza
- 1 tassello in nylon 6x30 mm
- 1x Double threaded screw



KT2C

- 1 diffusore passivo KT2C con staffe integrate per installazione a soffitto
- 1 connettore Phoenix a 4 poli (compatibile Euroblock MC 1.5/4-ST-3.81)
- 1 cavo jumper per la configurazione dell'impedenza

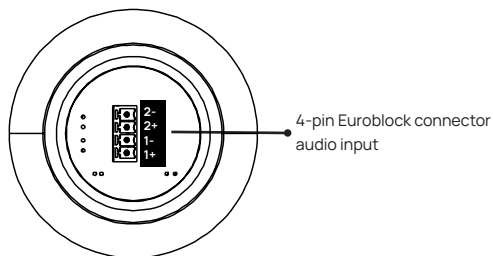


Tornado-KT2

MANUALE UTENTE

V2.Rev.9

Pannello connettore



Cablaggio

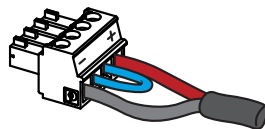
Impedenza selezionabile

Per semplificare il collegamento e il cablaggio in cascata, i diffusori KT2 e KT2C sono dotati di ingressi Euroblock a 4 poli, compatibili con connettori volanti Phoenix 1.5/4-ST-3.81.

È possibile configurare il diffusore in alta o bassa impedenza utilizzando due modalità di collegamento: in serie o in parallelo tra le due bobine mobili.

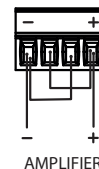
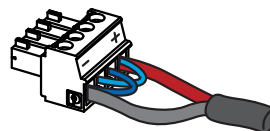
32 Ω		
PIN 1	●	SIGNAL -
PIN 2	●	bridged
PIN 3	●	
PIN 4	●	SIGNAL +

HIGH Z - 32 Ω



8 Ω	
PIN 1	● SIGNAL - parallel(-)
PIN 2	● SIGNAL + parallel(+)
PIN 3	● SIGNAL - parallel(-)
PIN 4	● SIGNAL + parallel(+)

LOW Z - 8 Ω



Compatibilità con i canali dell'amplificatore

Il numero di diffusori KT2 o KT2C collegabili in parallelo allo stesso canale di amplificazione dipende dal modello e dalla potenza dell'amplificatore, nonché dalla configurazione impostata sui diffusori.



Verifica sempre l'impedenza del diffusore prima di collegarlo all'amplificatore.

Il collegamento in parallelo riduce l'impedenza totale del carico: è fondamentale assicurarsi che l'impedenza complessiva dei diffusori collegati rimanga superiore alla minima impedenza supportata dall'amplificatore.

Per maggiori dettagli sul numero massimo di diffusori collegabili a un singolo canale di amplificazione, consulta la tabella di compatibilità Amplificatore-Diffusori disponibile sul sito web di K-array.



Prima di collegare il cavo dei diffusori all'amplificatore:

1. verifica che l'impedenza del diffusore sia compatibile con l'impedenza di carico prevista dal canale dell'amplificatore, soprattutto in caso di collegamento in parallelo di più diffusori;
2. carica sul DSP dell'amplificatore il preset di fabbrica dedicato al diffusore.



Prima di pilotare i diffusori, assicurati di caricare sul Kommander-KA il preset di fabbrica corretto relativo al modello di diffusore.

KT2-HV / KT2C-HV – Configurazione 70V

I diffusori Tornado sono disponibili anche nella versione a 70V (KT2-HV e KT2C-HV), compatibile con linee ad alta tensione.

KT2-HV - KT2C-HV	
PIN 1	SIGNAL -
PIN 2	SIGNAL +
PIN 3	NOT CONNECTED
PIN 4	NOT CONNECTED

L'impedenza molto elevata dei diffusori consente di collegare fino a 100 unità in parallelo e di pilotarle tramite un singolo canale (+ -) di un amplificatore Kommander-KA104 o KA208 (fig. 1).

KA104 - 4CH / KA208 - 8CH		
CH1	single channel	UP TO 100 UNITS
CH2	single channel	/
CH3	single channel	/
CH4	single channel	/
CH5	single channel	/
CH6	single channel	/
CH7	single channel	/
CH8	single channel	/

Tornado-KT2

MANUALE UTENTE

V2.Rev.9

fig1

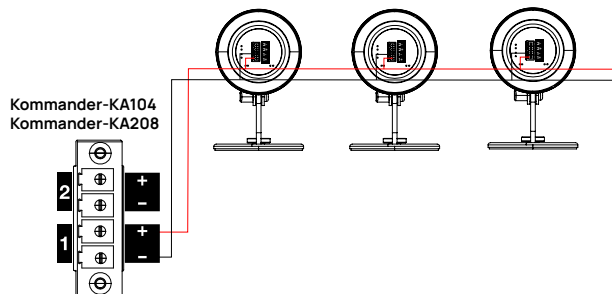
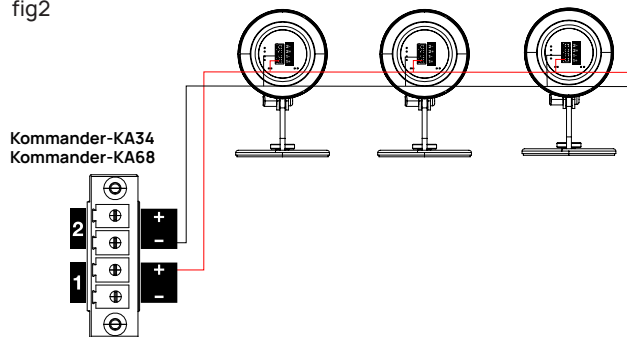


fig2



La metà delle unità in parallelo (50 diffusori) può essere pilotata utilizzando due canali di un Kommander-KA34 o KA68 in modalità bridge. Come indicato nella tabella, è preferibile prelevare il segnale dai terminali + e - di due canali adiacenti (fig. 2).

•20251128•

ATTENZIONE
Il mancato rispetto di questa configurazione può causare danni ai dispositivi o alle apparecchiature collegate.

KA34 - 4CH / KA68 - 8CH		
CH 1	●	In Bridge mode UP TO 50 UNITS
CH 2	●	
CH 3	●	In Bridge mode /
CH 4	●	
CH 5	●	In Bridge mode /
CH 6	●	
CH 7	●	In Bridge mode /
CH 8	●	

Installazione

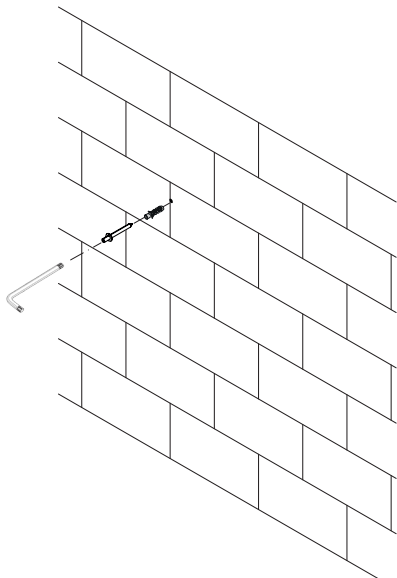
Installazione a muro con staffa inclusa

Il modello KT2 è fornito con una robusta staffa in acciaio inox per il montaggio a parete.

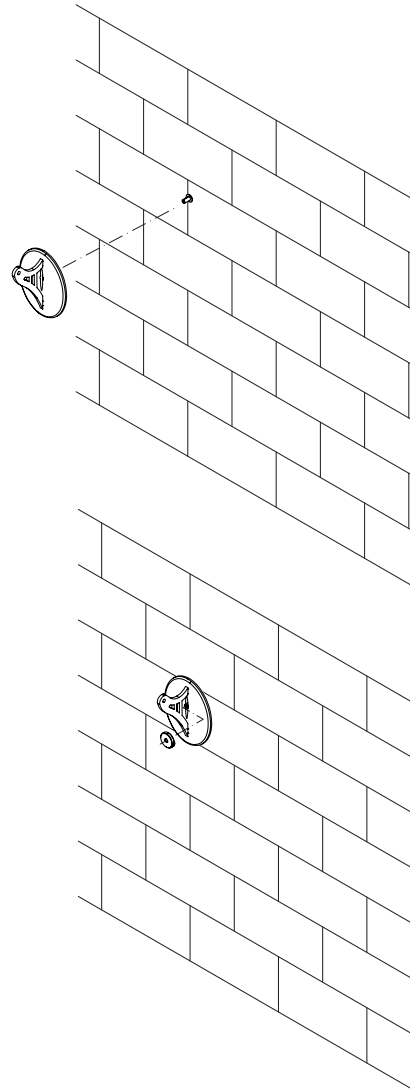
È possibile utilizzare la vite filettata e il dado in acciaio inclusi nella confezione per fissare il diffusore alla parete. La staffa consente inoltre di regolare l'angolo di inclinazione per ottenere la copertura desiderata.

Seguire la procedura seguente per montare e fissare il diffusore:

1. Assicurati di avere a disposizione tutti gli strumenti necessari per il montaggio a parete del diffusore: un trapano da 6 mm e una chiave a brugola.
2. Individua il punto di installazione ottimale in base all'area da coprire con il suono.
3. Utilizza il trapano per realizzare un foro da 6 mm (0,11 in) nel muro. Inserisci la vite filettata e fissala utilizzando la chiave a brugola.



4. Avvita la piastra della staffa sulla vite filettata e fissala in posizione con il dado in acciaio.

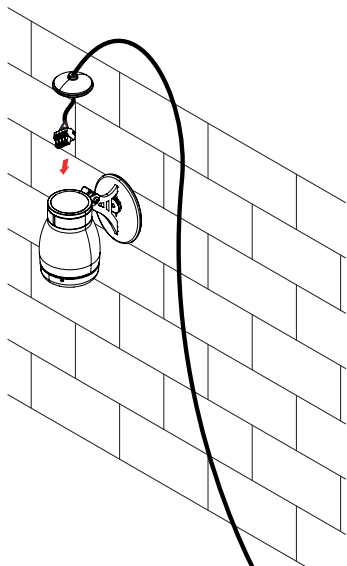


Tornado-KT2

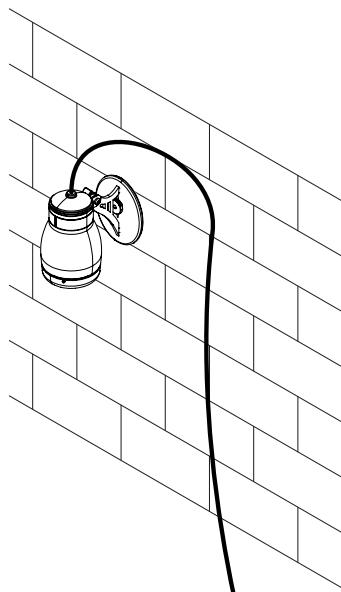
MANUALE UTENTE

V2.Rev.9

5. Collega il diffusore utilizzando il connettore Euroblock dedicato.



6. Il KT2 è ora installato a parete con la staffa dedicata per il montaggio a muro.



•20251128•



ATTENZIONE

Assicurati di configurare correttamente l'impedenza per evitare possibili danni alle apparecchiature collegate..

KT2C

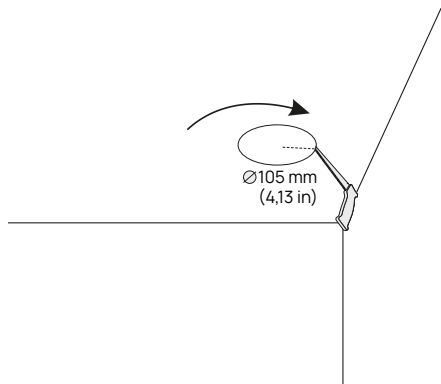
Installazione a soffitto

Il modello KT2C è progettato per l'installazione a soffitto ed è dotato di staffe per il montaggio ad incasso.

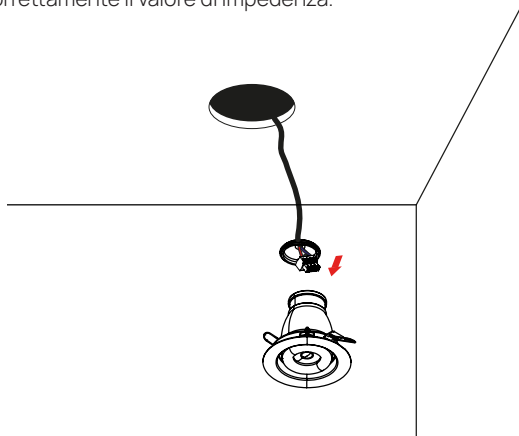
Per incassare il diffusore nel controsoffitto, segui i seguenti passaggi:

1. Scegli il punto ideale nel controsoffitto in cartongesso per l'installazione del diffusore KT2C, assicurandoti che sia privo di ostacoli e adatto a garantire una distribuzione ottimale del suono.
2. Misura e segna con precisione il punto di installazione sul soffitto, quindi utilizza gli strumenti adeguati per praticare un foro da 105 mm (4,13 in).

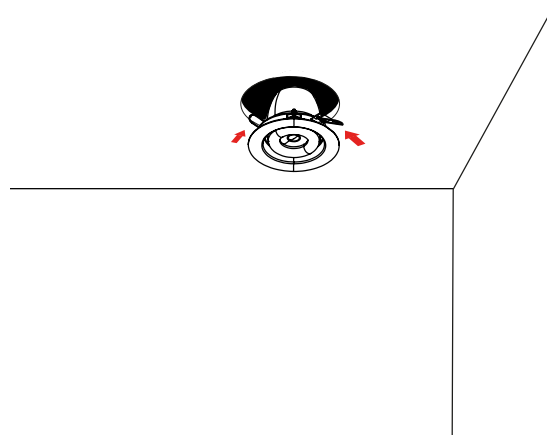
V2.Rev.9



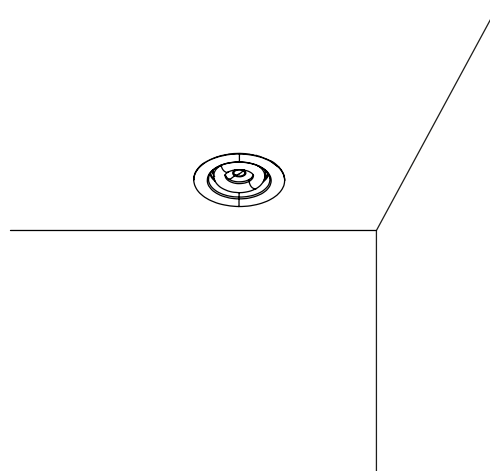
3. Collega i cavi del diffusore tramite il connettore Euroblock, assicurandoti anche in questo caso di selezionare correttamente il valore di impedenza.



4. Inserisci il diffusore nel foro piegando verso l'interno le molle di fissaggio.



5. L'installazione a soffitto del KT2C è completata.



KT2 e KT2C EN 54-24:2008

Conformità

I diffusori ultra-compatti Tornado-KT2 e KT2C sono certificati secondo la norma EN 54-24:2008 e progettati per sistemi di evacuazione vocale e diffusione di messaggi, in cui sono fondamentali sia un'estetica discreta che un'elevata intelligibilità del parlato.

Nonostante le dimensioni estremamente contenute, offrono un suono chiaro e focalizzato, ideale per applicazioni in musei, hotel, aree commerciali e spazi pubblici.

Entrambi i modelli sono certificati come Tipo B (utilizzo in ambienti esterni) e hanno grado di protezione IP65, garantendo resistenza a polvere e acqua: sono quindi adatti sia per installazioni interne che all'esterno in aree protette.

Il modello KT2C è dotato di cablaggio ignifugo per il collegamento diretto fisso, mentre il KT2 presenta un connettore posteriore a morsettiera, offrendo maggiore flessibilità in base alle esigenze dell'installazione.

Nota !

Questo prodotto è certificato per l'uso in sistemi di evacuazione vocale secondo la norma EN 54-24:2008 e deve essere utilizzato con una potenza nominale di 15 W, come previsto dallo standard.

Accessori

Appendimento / sospensione a soffitto K-T2PEN10

Il nuovo accessorio K-T2PEN consente di sospendere il diffusore KT2 dal soffitto per un'installazione discreta.

Il K-T2PEN è composto da una molla di sospensione con supporti, un fermacavo con vite, ed è disponibile in kit da 10 pezzi.

Per sospendere correttamente il KT2 dal soffitto utilizzando il K-T2PEN, segui la procedura indicata di seguito:

Per prima cosa, verifica di avere a disposizione tutti i componenti del kit accessorio.

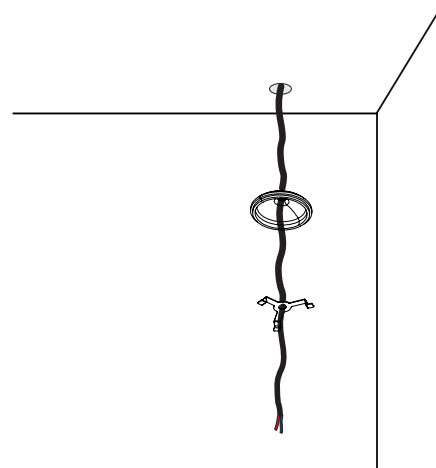
molla in acciaio per
sospensione



passacavo + vite x fissaggio



1. Scegli un cavo con guaina per garantire un migliore isolamento e fai passare la molla e la copertura in gomma attraverso il cavo.



2. Spela il cavo per almeno 2 cm per prepararlo al collegamento, quindi fallo passare attraverso il fermacavo.
3. Collega il diffusore utilizzando il cablaggio corretto e impostando l'impedenza adeguata, quindi fissa il fermacavo con la vite dedicata.

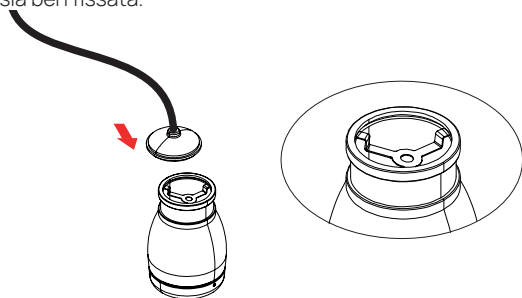


Tornado-KT2

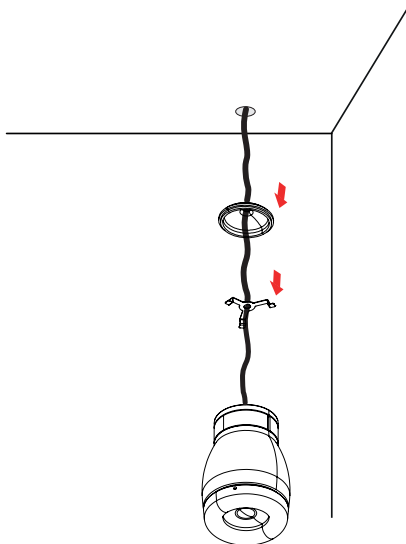
MANUALE UTENTE

V2.Rev.9

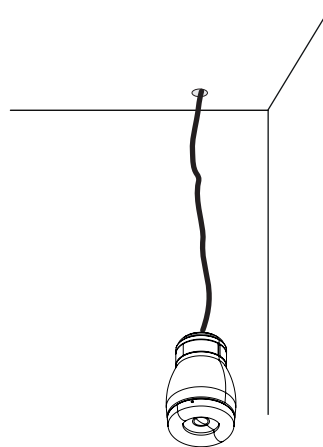
4. Fissa saldamente la molla all'interno dell'alloggiamento del diffusore utilizzando i supporti come punti di ancoraggio. La molla svolge un ruolo fondamentale nel sostenere l'intero sistema di sospensione del diffusore, quindi assicurati che sia ben fissata.



5. Fai passare la copertura in gomma attraverso il cavo, quindi richiudi il cabinet del diffusore.



6. A questo punto, il diffusore KT2 è correttamente sospeso dal soffitto.

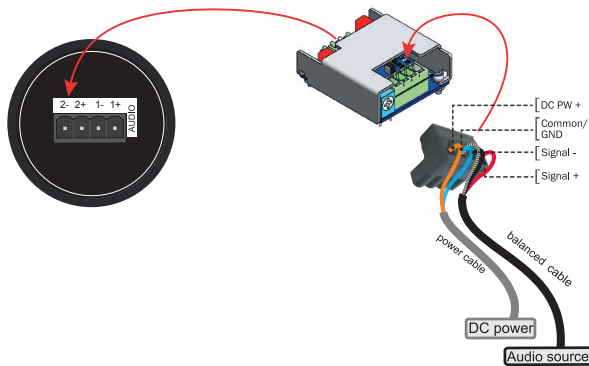


Modulo amplificatore KA1-T2H

I modelli KT2 e KT2C possono essere facilmente convertiti in diffusori attivi tramite l'inserimento dell'accessorio modulo amplificatore KA1-T2, disponibile nelle versioni 12V/24V.

Il modulo di amplificazione è dotato di un connettore Euroblock con ingressi per l'alimentazione e il segnale audio (+ -).

Per collegare il modulo al diffusore, segui il cablaggio illustrato nell'immagine:



Assistenza

Per ricevere assistenza

1. Tieni a portata di mano il numero di serie dell'unità (o delle unità) da sottoporre a controllo.
2. Contatta il distributore ufficiale K-array del tuo paese: l'elenco completo di distributori e rivenditori è disponibile sul sito web K-array.
3. Descrivi il problema in modo chiaro e dettagliato al Servizio Clienti. Verrai ricontattato per l'assistenza online.
4. Se il problema non può essere risolto telefonicamente, ti potrà essere richiesto di inviare l'unità in assistenza. In tal caso, ti verrà fornito un numero RA (Return Authorization), che dovrà essere indicato su tutti i documenti di spedizione e nella corrispondenza relativa alla riparazione. Le spese di spedizione sono a carico dell'acquirente.

Qualsiasi tentativo di modificare o sostituire componenti del dispositivo invaliderà la garanzia. L'assistenza deve essere effettuata da un centro autorizzato K-array.

Pulizia e Manutenzione

Utilizza esclusivamente un panno morbido e asciutto per pulire lo chassis.

Non utilizzare solventi, sostanze chimiche o detergenti contenenti alcol, ammoniacca o abrasivi.

Non spruzzare liquidi nelle vicinanze del prodotto né lasciare che penetrino all'interno delle aperture.

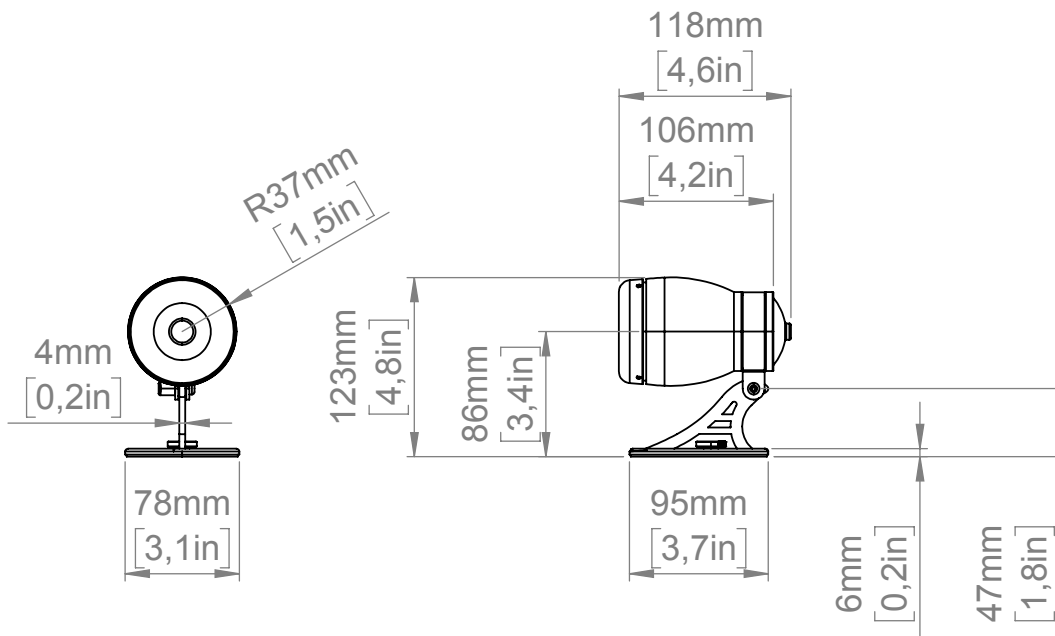
Tornado-KT2

MANUALE UTENTE

V2.Rev.9

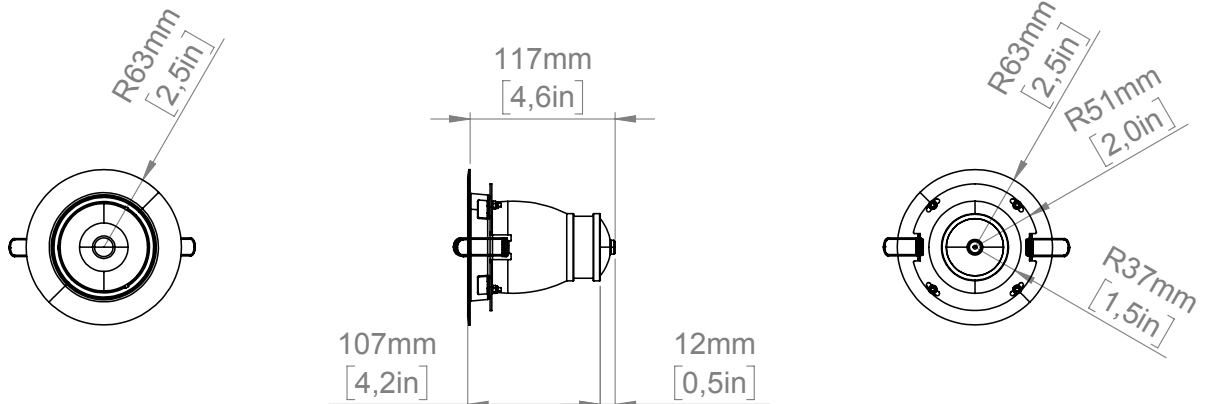
Disegni meccanici

Tornado-KT2



•20251128•

Tornado-KT2C



Tornado-KT2

MANUALE UTENTE

V2.Rev.9

Specifiche Tecniche

KT2, KT2C

Generali	
Tipo	Altoparlante sorgente puntiforme
Trasduttori	Woofers da 2" con magneti al neodimio
Risposta in Frequenza ¹	150 Hz - 18kHz (-6 dB)
Max SPL ²	107 dB (peak)
Potenza Nominale	18 W
Copertura	V.90° / H.90°
Impedenza Nominale	8 Ω / 32 Ω selezionabile Versione 70V disponibile su richiesta
Connettori	Connettore Euroblock a 4 poli

Specifiche fisiche	
Materiale	Alluminio
Colori	Nero, Bianco, RAL personalizzato
Grado IP	IP65
Dimensioni (LxAxP) ³	KT2: 74 × 74 × 118 mm (2.91 × 2.91 × 4.65 in) KT2C: 125 × 125 × 119 mm (4.92 × 4.92 × 4.69 in)
Peso	0.6 kg (1.32 lb)

¹ With dedicated preset.

² Maximum SPL is calculated using a signal with crest factor 4 (12 dB) measured at 8 m then scaled at 1 m.

³ Brackets not included in measures.

KT2, KT2C EN 54-24:2008

Generali		
Tipo	Altoparlante sorgente puntiforme	
Trasduttori	Woofers da 2" con magneti al neodimio	
Risposta in Frequenza ¹	150 Hz - 18kHz (-6 dB)	
Sensibilità (SPL 1W/1m)	89 dB	
Max SPL ²	100 dB (peak)	
Potenza Nominale ³	15 W	
Tensione Nominale	8,2 V / 16,4 V	
Copertura	H. 180° @ 500 Hz H. 180° @ 1000 Hz H. 180° @ 2000 Hz H. 120° @ 4000 Hz	V. 180° @ 500 Hz V. 180° @ 1000 Hz V. 180° @ 2000 Hz V. 120° @ 4000 Hz
Impedenza Nominale	8 Ω / 32 Ω selectable 70V version avail. upon request	
Connettori	4PIN Euroblock connector	

Specifiche fisiche	
Materiale	Aluminum
Colori	Nero, Bianco, RAL personalizzato
IP Rating	IP54
Dimensions (WxHxD) ⁴	KT2: 74 × 74 × 118 mm (2.91 × 2.91 × 4.65 in) KT2C: 125 × 125 × 119 mm (4.92 × 4.92 × 4.69 in)
Weight	0.6 kg (1.32 lb)

¹ Con preset dedicato.

² Il livello massimo di SPL è calcolato utilizzando un segnale di test con crest factor 4 (12 dB), misurato a 8 metri e riportato a 1 metro. In conformità alla norma EN 54-24:2008, il valore massimo di SPL dichiarato corrisponde a un livello almeno 3 dB inferiore rispetto al valore di picco calcolato (funzionamento continuo -6 dB).

³ In conformità alla norma EN 54-24:2008, la potenza di picco dichiarata è pari a 15 W per l'uso in sistemi di evacuazione vocale.

⁴ Le staffe non sono incluse nelle misure.

KT2 - KT2C

Potenza Nominale	15W
SPL 1W/1m	89dB
Maximum SPL	100dB peak
Connector IN	voice coil A 1+ 1- voice coil B 2+ 2- Double coil 1+ 2- (1- 2+ CC)
Vmax In (Pink Noise)	8,20 V@ 8 Ω 16,40 V@ 32 Ω
Range di Frequenza	150 Hz - 18kHz
Copertura Orizzontale	180° Hz @ 500 Hz 180° Hz @ 1000 Hz 180° @ 2000Hz 120° @ 4000Hz
Copertura Verticale	180° Hz @ 500 Hz 180° Hz @ 1000 Hz 180° @ 2000Hz 120° @ 4000Hz

KT2 e KT2C sono conformi alla norma EN54-24. Considera le specifiche riportate sopra quando uno dei due modelli viene utilizzato in un sistema di allarme vocale.



17
0668-CPR-082/2017

K-array s.r.l
SCARPERIA E SAN PIERO (Fi)
VIA PAOLINA ROMAGNOLI
S.N. CAP 50038 (EX SAN
PIERO A SIEVE)

EN 54-24:2008

**Altoparlante per sistemi di allarme vocale per sistemi
di rilevazione e di segnalazione d'incendio**

KT2 - KT2C

Opzioni fornite: Tipo B

DOP nr: KT2 - KT2C



Designed and Made in Italy

K-ARRAY Srl -
Via P. Romagnoli 17 - 50038
Scarperia e San
Piero

Firenze - Italy

P.IVA/VAT/CF

06206990480

Phone: +39 055- 8487222

Email: info@karray.com