



euroscreen®

# Thor

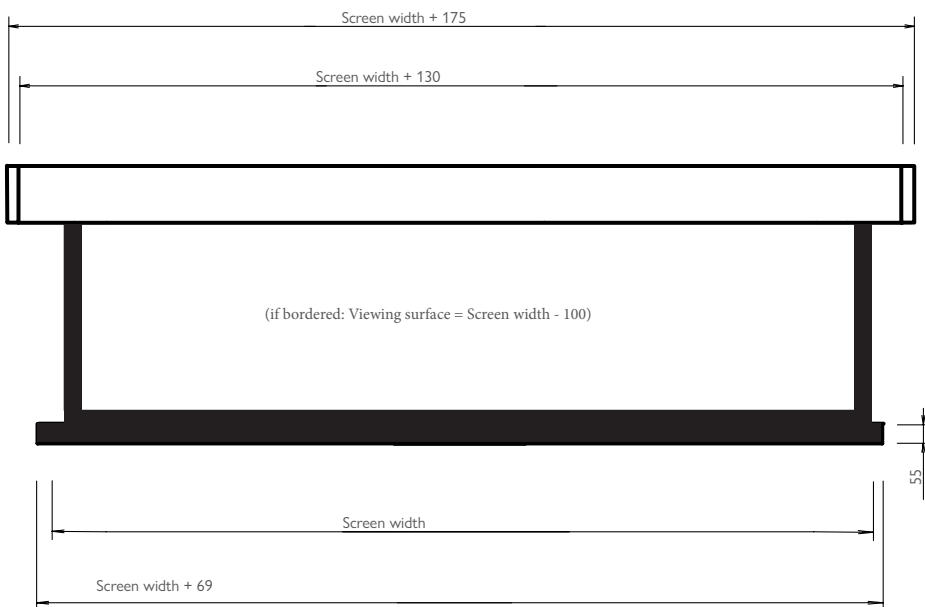
**Thor** motorised projection screen ranges from 250 cm up in width and comes equipped with a sleek, stylish aluminium case.

By default, wall brackets and flexible mounting brackets for ceiling installation are included. Optional recessed ceiling brackets are also available. The Thor case, finished in a contemporary white colour with matching aluminium bottom dowel, has a convenient wall channel-fixed fitting that reduces expensive installation time. When black borders are required, a true black border with a matte finish is welded onto the screen surface. This creates a powerful framework for the projected image.

## Thor Tab Tension

This model features all of the benefits mentioned above, and an additional selection of tensioned screen surfaces. The tensioning function makes it possible to adjust the flatness of the surface and therefore provide a perfectly flat viewing surface for years to come.

## SCREEN DIMENSIONS THOR



## SCREEN SURFACES

**Arctiq**  
Matt white front surface, fibre glass support, black-backed.  
Gain 1.0

**FlexWhite**  
Pliable matt white front surface, superb colour rendition, Full HD & 8K compliant.  
Gain 1.0

**Xpert**  
White front surface, PVC free. Flame retardant (B1)  
Excellent surface flatness and colour temp.  
Gain 1.0

## MOTOR CONTROL

**ENYROOM-ER MOTOR**  
Built-in controls  
Enyroom-ER radio receiver  
Dry contact (RJ12 connector)

**Accessories**  
Radio remote controls  
Autolink  
Dry contact transmitter  
WiFi-box App-control  
IP-box

**INSTALLATION/WIRED MOTOR**  
Accessories  
Control box (RS232, RF, IR, 12V trigger, Dry contact)

## STANDARD FORMATS THOR

**1:1**  
The screen format is 1:1.  
No black borders.

**4:3**  
NO BLACK BORDERS  
The screen format is 4:3.  
No black borders.

**16:9**  
The screen has 5 cm wide black borders. The format of the viewing area is 16:9.

**16:10**  
The screen has 5 cm wide black borders. The format of the viewing area is 16:10.

## STANDARD FORMATS THOR TT

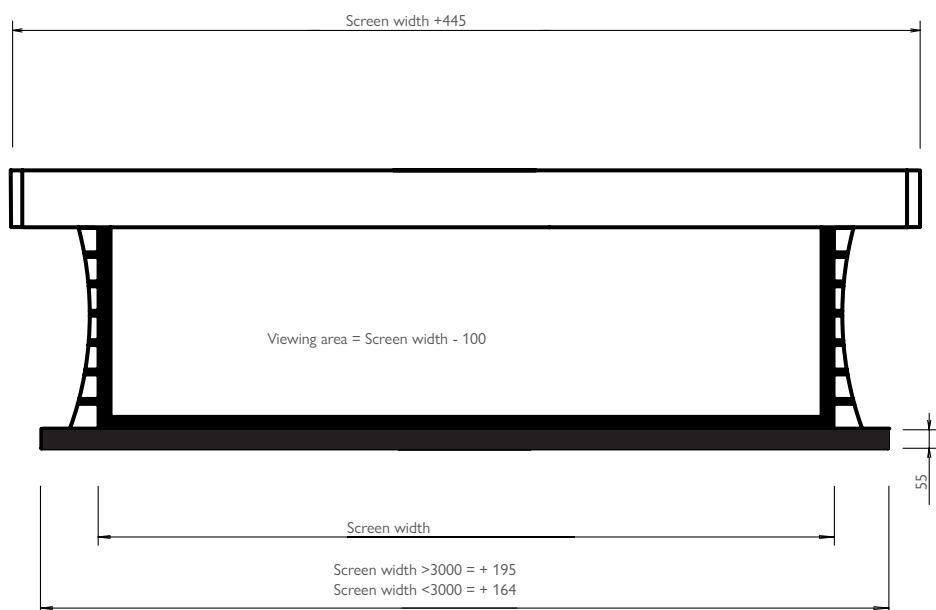
**4:3**  
NO BLACK BORDERS  
The screen format is 4:3.  
No black borders.

**16:9**  
The screen has 5 cm wide black borders. The format of the viewing area is 16:9.

**16:10**  
The screen has 5 cm wide black borders. The format of the viewing area is 16:10.

**2:35:1**  
The screen has 5 cm wide black borders. The format of the viewing area is 2:35:1.

## SCREEN DIMENSIONS THOR TAB TENSION



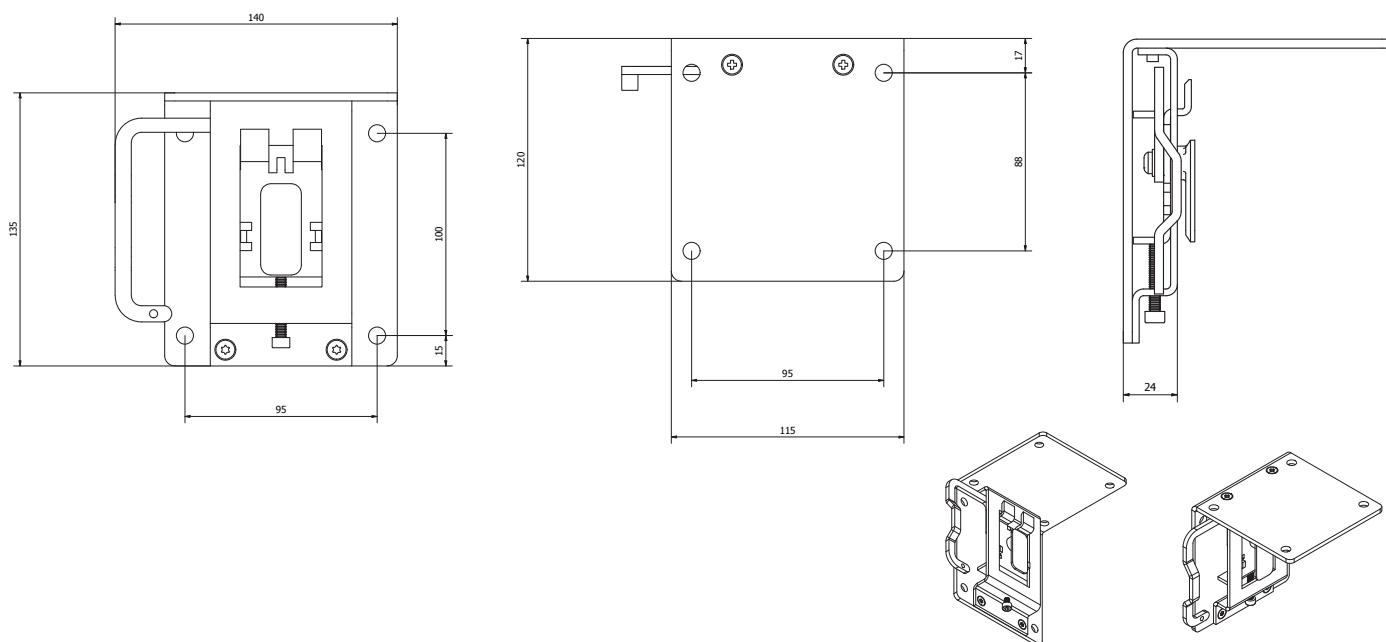
## SCREEN SURFACES

**FlexWhite**  
Pliable matt white front surface, superb colour rendition, Full HD & 8K compliant.  
Gain 1.0

**ReAct**  
Pliable silver grey front surface, enhances colour contrast in bright light, Full HD & 8K compliant.  
Gain 1.0

**FlexGrey**  
Pliable Gray front surface, superb colour rendition, 8K compliant.  
Gain 0.8

## BRACKET DIMENSIONS THOR



## PACKAGING DIMENSIONS THOR

Screen width	Box length	Box width	Box height
2500	3090	260	260
2750	3340	260	260
3000	3590	260	260
3250	3840	260	260
3500	4090	260	260
3750	4340	260	260
4000	4590	260	260
4250	4840	260	260

## PACKAGING DIMENSIONS THOR TT

Screen width	Box length	Box width	Box height
2500	3240	260	260
2750	3490	260	260
3000	3740	260	260
3250	3990	260	260
3500	4240	260	260
3750	4490	260	260
4000	4740	260	260
4250	4990	260	260