



ENG • ESP



Description

The Lyzard-KZ11 is an ultra-miniature point source speaker that belongs to the smallest mid-high families of K-array. Its new design features a compact, milled aluminum enclosure measuring 2.2 x 3.7 x 1.1 cm weighing just 21g. The speaker boasts a single 0.5" long-excursion neodymium magnet transducer that ensures uncompromising audio performance with minimal residual noise.

The Lyzard-KZ11 is the finest solution of audio technology especially when it must be kept hidden out of sight in the environment or decor. With a horizontal and vertical coverage of 140° and a frequency response ranging from 500 Hz up to 18kHz, the KZ11 delivers clear audio reproduction and excellent intelligibility. Its peak SPL of 86 dB is impressive for a speaker of such a small size.

To complete the frequency range of your audio systems, the Lyzards must be combined with one or more Truffle or Rumble subwoofers, driven by a Kommander-KA amplifier.

For a complete audio system, the Lyzards must be combined with one or more Truffle or Rumble subwoofers, powered by a Kommander-KA amplifier. Moreover, all Lyzard loudspeakers can be customized with any RAL color painting or come in different premium finishes to enhance their impressive aesthetics. These finishes include polished aluminium, 24K gold, rose gold, or antique gold plating, which can be

All Lyzard KZ11 components are designed by the K-array R&D department and are custom-made under the K-array quality control system in Italy.

The front of the loudspeaker's tiny cabinet is protected by a magnet grill that can be removed with a small neodymium magnet included in the package. The real panel incorporates a small two-pole screw euro-block connector, so no specific connector is needed. The Lyzard KZ11 is the perfect products to integrate audio in retail, small lounges and bars, home residences, hotels, and museums, leaving both your eyes fulfilled and your ears satisfied with their unique and sleek design.

The main product models and codes are:

KZ11 black model
KZ1W1 white model
KZ1X1 (KZ1XP, KZ1XG) custom and premium finish models

- 1x 0.5" long excursion neodymium transducer
- 500 Hz-18kHz high bright frequency response
- Euroblock connector incorporated
- 140° H/V coverage
- 86 dB SPL (peak)
- pocket size, resistant, durable
- discreet
- new design and premium finishes

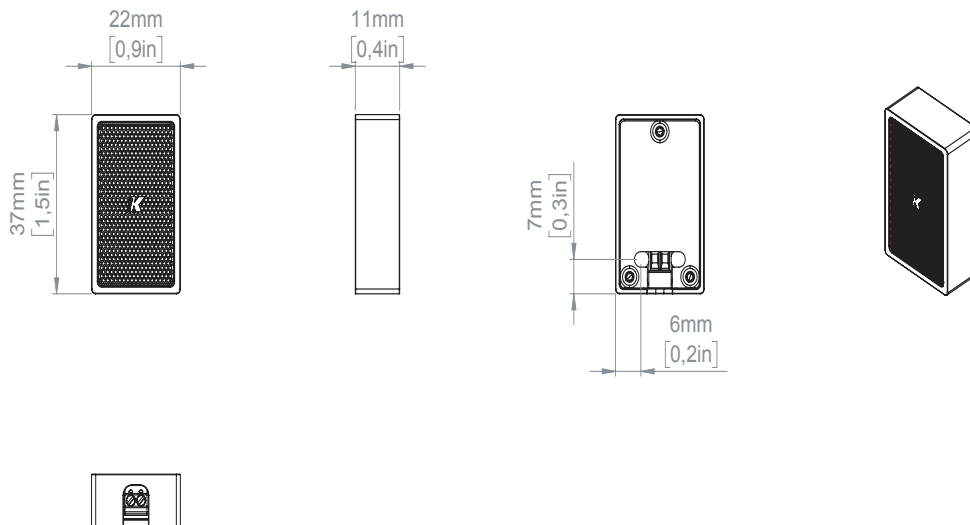
Lyzard-KZ11

Technical specifications	
Type	point source
Transducers	0.5" Neodymium magnet woofer
Frequency Response ¹	500 Hz - 18 kHz (-6 dB)
Max SPL ²	86 dB peak
Coverage	V. 140° H. 140°
Nominal Impedance	16 Ω
Power Handling	3.5 W
Connectors	IN + IN- screw terminals

Handling & Finishes	
Material	Aluminum
Colors	Black, White, Custom RAL
IP Rating	IP64
Dimensions (WxHxD)	22 x 37 x 11 mm (0.9 x 1.5 x 0.4 in)
Finishes	24K Gold, Antique Gold, Rose Gold, Polished Steel
Weight	0.021 kg (0.04 lb)

¹ With dedicated preset.

² Maximum SPL is calculated using a signal with crest factor 4 (12dB) measured at 8 m then scaled at 1 m.



Notes:

Passive loudspeakers require dedicated presets loaded onboard K-array amplifiers.
 New materials and designs are introduced into existing products without previous notice.
 Present systems may differ in some respects from those presented in this catalog.





Description

The Lyzard-KZ1R I is an ultra-miniature point source speaker that belongs to the smallest mid-high families of K-array. Its new design features a compact, milled aluminum enclosure measuring 2.8 x 4.3 x 1.1 cm weighing just 21g. The speaker boasts a single 0.5" long-excursion neodymium magnet transducer that ensures uncompromising audio performance with minimal residual noise.

The Lyzard-KZ1R I is the finest solution of audio technology especially when it must be kept hidden out of sight in the environment or decor. With a horizontal and vertical coverage of 140° and a frequency response ranging from 500 Hz up to 18kHz, the KZ1R I delivers clear audio reproduction and excellent intelligibility. Its peak SPL of 86 dB is impressive for a speaker of such a small size.

For a complete audio system, the Lyzards must be combined with one or more Truffle or Rumble subwoofers, powered by a Kommander-KA amplifier. Moreover, all Lyzard loudspeakers can be customized with any RAL color painting or come in different premium finishes to enhance their impressive aesthetics. These finishes include polished aluminium, 24K gold, rose gold, or antique gold plating, which can be customized upon request.

All the Lyzard-KZ1R I components are designed by the K-array R&D department and are custom made under the K-array quality control system in Italy.

The Lyzard-KZ1R I is the perfect products to integrate audio in retail, small lounges and bars, home residences, hotels, and museums, features the new metallic clamps for easy mounting and recessed in-walls installation. Lyzard-KZ1R I leaves both your eyes fulfilled and your ears satisfied with their unique and sleek design.

The main product models and codes are:

KZ1R I black model

KZ1RW I white model

KZ1RX I (KZ1RXP I, KZ1RXG I) custom and premium finish models

- 1x 0.5" long excursion neodymium transducer
- 500 Hz-18kHz frequency response
- Euroblock connector
- 140° H/V coverage
- 86 dB SPL (peak)
- pocket size, resistant, durable
- discreet
- new design and premium finishes
- recessed for in-wall installation

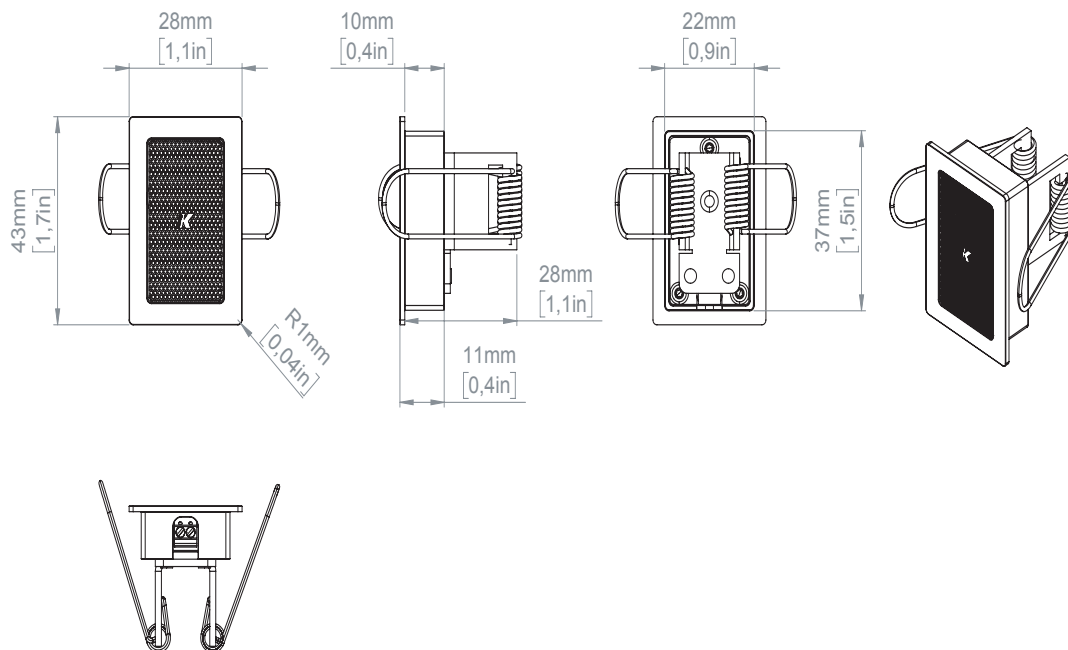
Lyzard-KZ1RI

Technical specifications	
Type	point source
Transducers	0.5" Neodymium magnet woofer
Frequency Response ¹	500 Hz - 18 kHz (-6 dB)
Max SPL ²	86 dB peak
Coverage	V. 140° H. 140°
Nominal Impedance	16 Ω
Power Handling	3.5 W
Connectors	IN + IN- screw terminals

Handling & Finishes	
Material	Aluminum
Colors	Black, White, Custom RAL
IP Rating	IP64
Dimensions (WxHxD)	28 x 43 x 11 mm (1.1 x 1.7 x 0.4 in)
Finishes	24K Gold, Antique Gold, Rose Gold, Polished Steel
Weight	0.021 kg (0.04 lb)

¹ With dedicated preset.

² Maximum SPL is calculated using a signal with crest factor 4 (12dB) measured at 8 m then scaled at 1 m.



Notes:

Passive loudspeakers require dedicated presets loaded onboard K-array amplifiers.
 New materials and designs are introduced into existing products without previous notice.
 Present systems may differ in some respects from those presented in this catalog.





Descripción

El Lyzard-KZ11 es un altavoz de fuente puntual ultraminiatura que pertenece a las familias medio-altas más pequeñas de K-array. Su nuevo diseño presenta una carcasa compacta de aluminio fresado que mide 2,2 x 3,7 x 1,1 cm y pesa sólo 21 g. El altavoz cuenta con un único altavoz de 0,5" transductor magnético de neodimio de larga excursión que garantiza un rendimiento de audio sin concesiones con un ruido residual mínimo

El Lyzard-KZ11 es la mejor solución de tecnología de audio, especialmente cuando debe mantenerse oculto en el entorno o la decoración. Con una cobertura horizontal y vertical de 140° y una respuesta en frecuencia que va desde los 500 Hz hasta los 18 kHz, el KZ11 ofrece una reproducción de audio clara y una inteligibilidad excelente. Su SPL máximo de 86 dB es impresionante para un altavoz de un tamaño tan pequeño.

Para completar la gama de frecuencias de sus sistemas de audio, los Lyzard deben combinarse con uno o varios subwoofers Truffle o Rumble, accionados por un amplificador Kommander-KA.

Para completar su sistema de audio, los Lyzard deben combinarse con uno o varios subwoofers Truffle o Rumble, accionados por un amplificador Kommander-KA. Además, todos los altavoces Lyzard pueden personalizarse con cualquier pintura de color RAL o presentarse en diferentes acabados premium para realzar su impresionante estética. Estos acabados incluyen aluminio pulido, oro de 24 quilates, oro rosa o chapado en oro antiguo, que se pueden

Todos los componentes del Lyzard KZ11 están diseñados por el departamento de I+D de K-array y se fabrican a medida bajo el sistema de control de calidad de K-array en Italia.

La parte frontal del diminuto recinto del altavoz está protegida por una rejilla magnética que puede retirarse con un pequeño imán de neodimio incluido en el paquete. El panel real incorpora un pequeño conector euro-block bipolar de rosca, por lo que no se necesita ningún conector específico.

El Lyzard KZ11 es el producto perfecto para integrar audio en comercios, pequeños salones y bares, residencias domésticas, hoteles y museos, dejando satisfechos tanto a sus ojos como a sus oídos con su diseño único y elegante.

Los principales modelos y códigos de producto son

KZ11 modelo negro

KZ1W1 modelo blanco

KZ1X1 (KZ1XP, KZ1XG) modelos personalizados y de acabado premium

- 1x 0.5" long excursion neodymium transducer
- 500 Hz-18kHz high bright frequency response
- Euroblock connector incorporated
- 140° H/V coverage
- 86 dB SPL (peak)
- pocket size, resistant, durable
- discreet
- new design and premium finishes

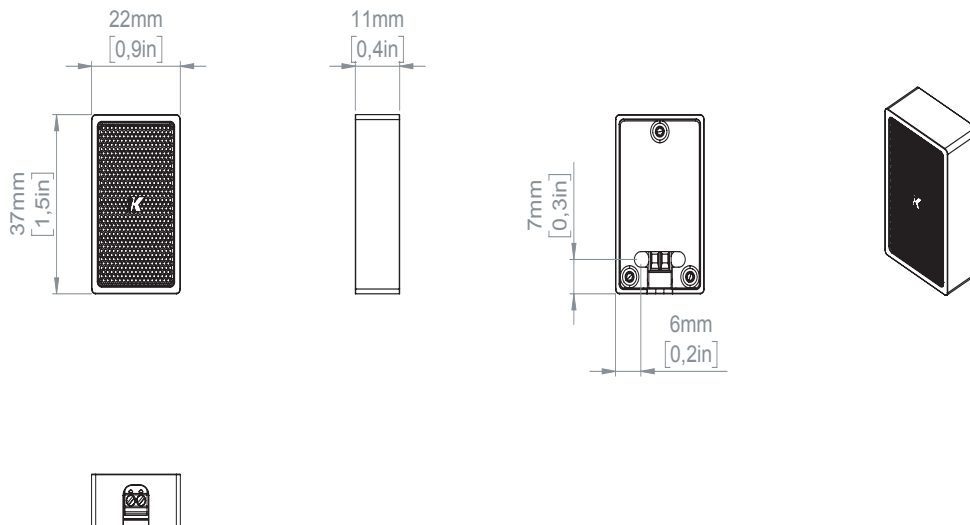
Lyzard-KZ11

Especificaciones técnicas	
Type	point source
Transducers	0.5" Neodymium magnet woofer
Frequency Response ¹	500 Hz - 18 kHz (-6 dB)
Max SPL ²	86 dB peak
Coverage	V. 140° H. 140°
Nominal Impedance	16 Ω
Power Handling	3.5 W
Connectors	IN + IN- screw terminals

Handling & Finishes	
Material	Aluminum
Colors	Black, White, Custom RAL
IP Rating	IP64
Dimensions (WxHxD)	22 x 37 x 11 mm (0.9 x 1.5 x 0.4 in)
Finishes	24K Gold, Antique Gold, Rose Gold, Polished Steel
Weight	0.021 kg (0.04 lb)

¹ With dedicated preset.

² Maximum SPL is calculated using a signal with crest factor 4 (12dB) measured at 8 m then scaled at 1 m.



Notes:

Passive loudspeakers require dedicated presets loaded onboard K-array amplifiers.
 New materials and designs are introduced into existing products without previous notice.
 Present systems may differ in some respects from those presented in this catalog.

