

Thank you for choosing KGEAR!

To ensure proper operation, please carefully read this owner's manual and safety instruction before using the product. After reading this manual, be sure to keep it for future reference.

If you have any questions about your new device please contact K-array customer service at info@kgear.it or contact the local distributor in your country.

Meet the GU210, the compact powerhouse of KGEAR GU family. Comprised of a 10" ferrite magnet woofer and a 10" passive radiator, the GU210 delivers a precise bass response with high power and efficiency. The GU210 is entirely built with steel, including both the cabinet and the grille. Its robust and durable design makes it well-suited for outdoor installations (IP64 with G-IPCAP1 purchased separately).

With a passive low-pass filter on board, the GU210 can be driven by any amplifier without a dedicated preset, for quick and easy installations and thanks to a frequency response from 40Hz to 250Hz, this subwoofer has a deep definition in the bass range and it is the perfect companion of GH and GF family.

Thanks to various accessory options for wall-mounting, down-firing, and standing configurations, this subwoofer offers versatility for a broad spectrum of applications—from hospitality and corporate settings to residential use.

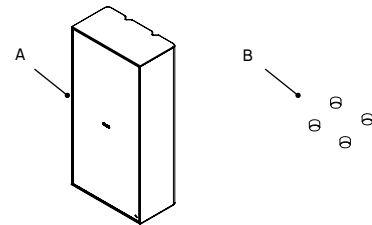
Redefine your audio experience with easy installation and exceptional reliability, delivering powerful sound without sacrifices.



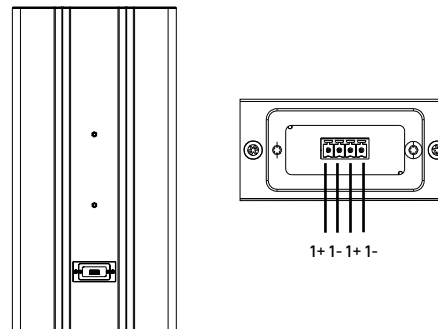
Unpacking

Each KGEAR device is inspected before leaving the factory. Upon arrival, carefully inspect the shipping carton, then examine and test your new device. If you find any damage, immediately notify the shipping company. Check that the following parts are supplied with the product:

- A. 1x GU210 passive subwoofer
- B. 4x rubber feet to To decouple the subwoofer from the floor and orient it vertically and horizontally





GU210 rear panel



GU210 subwoofer is equipped with 1x Phoenix connector 4 pin - Euroblock 1,5/ 4-ST-3,81.

Wiring

The 10" woofer is connected to Pin 1 (positive terminal) and Pin 2 (negative terminal) of the euroblock connector. To pass the signal from the same amplifier channel to another speaker or subwoofer connected in parallel, Pin 3 is connected to Pin 1 (positive terminal), and Pin 4 is connected to Pin 2 (negative terminal) to the speaker connector. This allows the signal to be passed through to the additional speaker or subwoofer.

4 Ω	
PIN 1	 SIGNAL + (1+)
PIN 2	 SIGNAL - (1-)
PIN 3	 SIGNAL + (1+)
PIN 4	 SIGNAL - (1-)



Always check speakers impedance to match the amplifier's power load.

Impedance settings

The subwoofer has a fixed impedance of 4 Ω. Ensure to choose and connect the GU210 subwoofer to the correct amplifier platform.

Amplifier Channel Matching

After correctly setting the impedance value for your audio system, ensure it is connected to the suitable KGEAR or K-array amplifier unit. For parallel connection of multiple units, please consult the provided table at the following link. - [KGEAR amplifier to KGEAR speaker Matching Table](#). Please remember that the parallel connection lowers the total load impedance.



KGEAR-to-KGEAR



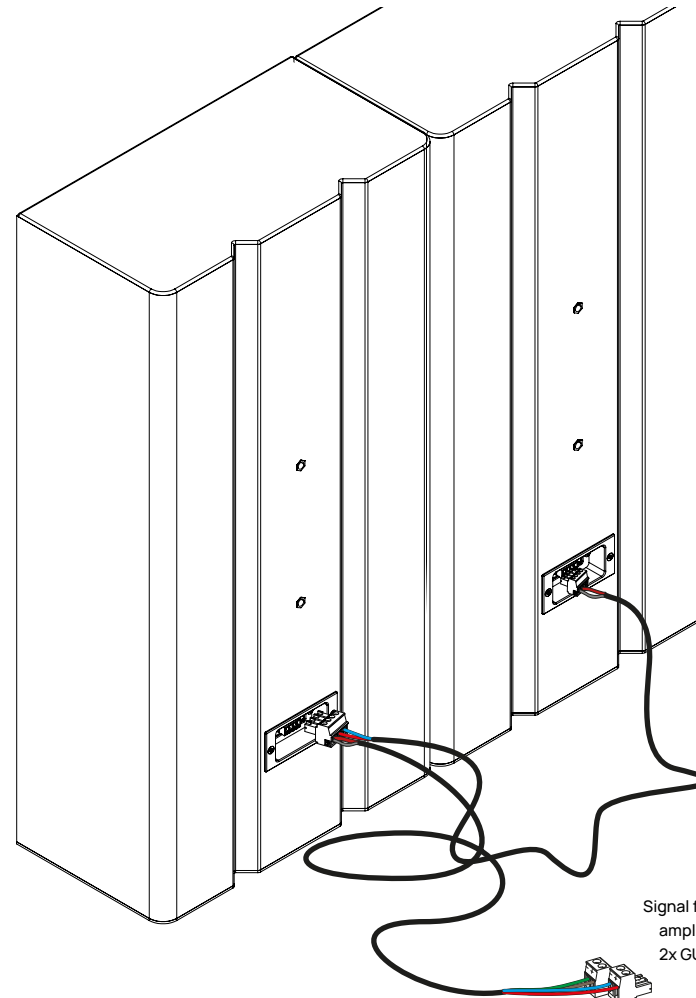
K-array-to-KGEAR



Always check the loudspeaker impedance before connecting the amplifier.

Wiring and pass trough

To connect the GU210 to the amplifier using euroblock connector and pass the signal to another speaker or subwoofer in parallel, connect the amplifier's positive (+) terminal to Pin 1 and the negative (-) terminal to Pin 2; then use Pins 3 and 4 to transmit the positive (+) and negative (-) signals, respectively, to the second speaker or subwoofer.



Signal from the dedicated amplifier able to drive 2x GU210 in parallel

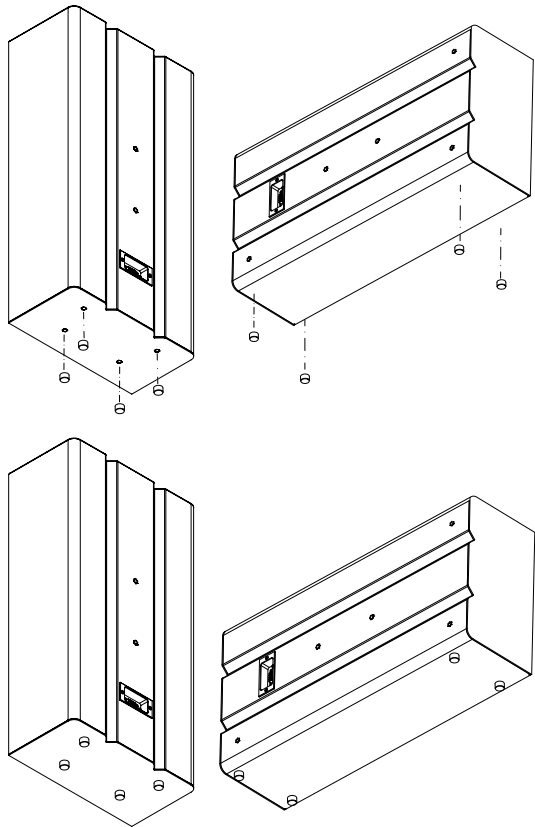
Positioning

The GU210 subwoofer is designed to extend the frequency response of line array elements such as the GF42, GF82, and GF162. As an omnidirectional emission source, it can be positioned anywhere among the mid-high elements in a distributed speakers configuration.

The subwoofer's performance is influenced by the specific characteristics of the environment in which it is installed. Notably, placing it near a wall or facing the floor (properly decoupled with specific accessory feet) can enhance its output due to the proximity of the obstacle, which amplifies the subwoofer's emission through reflections.

Free standing and down-firing installation

GU210 subwoofer can be installed as free-standing device on any flat surface thanks to the rubber feet included in the package. It can be positioned in vertical or horizontal free standing position:



Downfiring

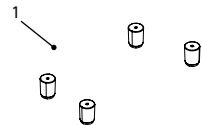
Additionally, the GU210 can be installed in a down-firing orientation using the [GU-DOWNFIRING](#) accessory—a kit composed of 4x 3,9 cm tall feet that can be screwed into the front panel after removing the grille, specifically for this type of installation.

Advantages of Down-Firing:

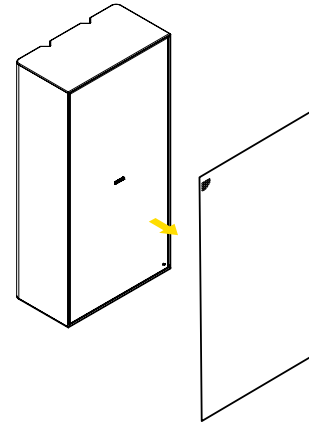
- 1. Floor Effect:**
The floor surface can enhance bass response by reflecting the sound, resulting in deeper and more pronounced bass.
- Sound Distribution:**
2. A down-firing subwoofer distributes sound more evenly throughout the room, minimizing areas with weak bass.
- 3. Driver Protection:**
With the driver facing downward, it is less likely to be damaged by objects or accidental impacts compared to a front-facing driver.
- 4. Aesthetic Design:**
Down-firing subwoofers often feature a cleaner, more unobtrusive design since the driver is hidden from view.

GU-DOWNFIRING KIT:

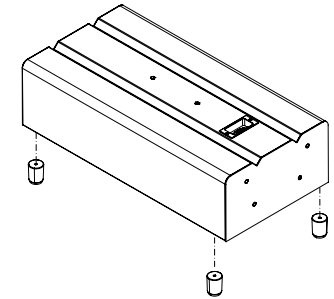
Composed of 4x 3,9 cm H x 1,3 cm \varnothing



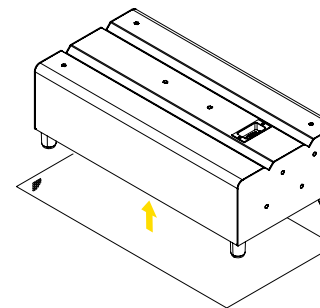
1



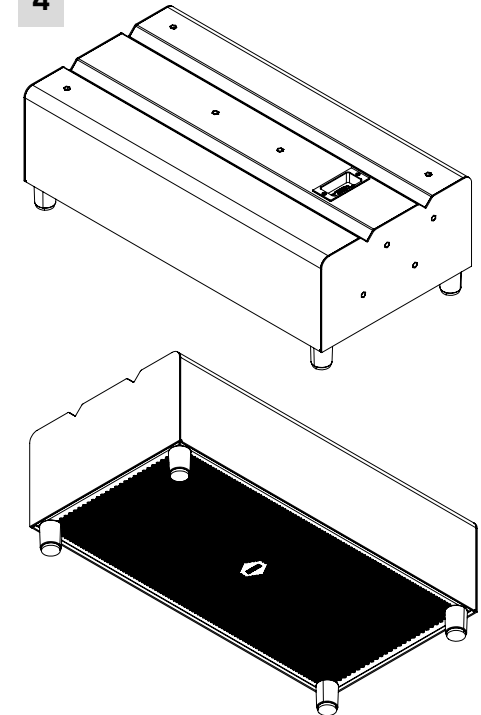
2



3



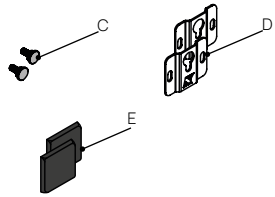
4



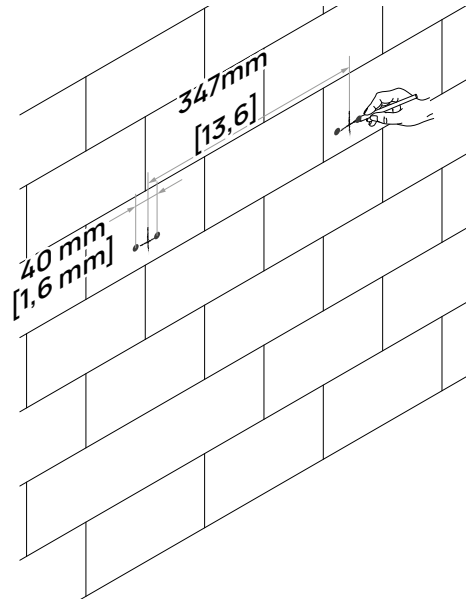
Applique Installation On-Wall

GU210 can be applique on the wall with the **G-WALLHANG1** accessory composed of:

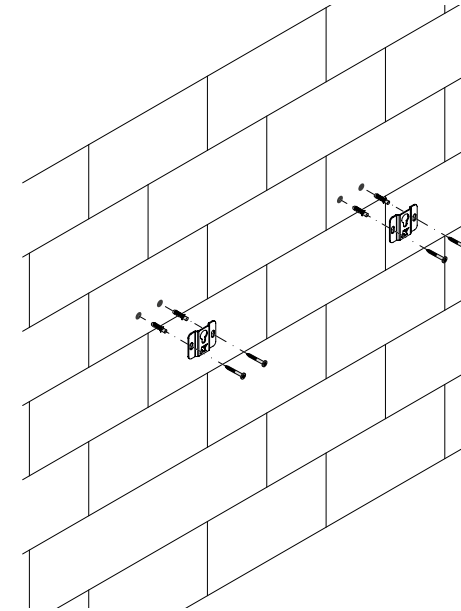
1. 2x stainless steel bracket for hang and wall-mount
2. 2x stainless steel plugs and
3. 2x adhesive pads



- 3 Sign on the surface the step between the hanging points:

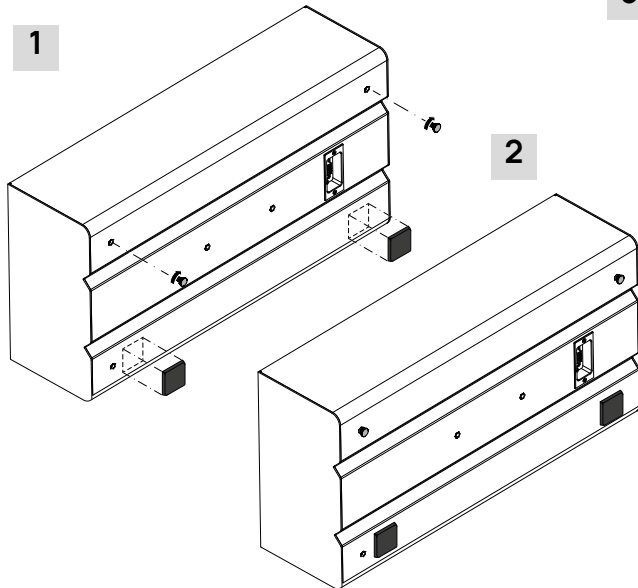


- 4 Drill the holes for the G-WALLHANG1 brackets and secure them to the surface with wall plugs and screws

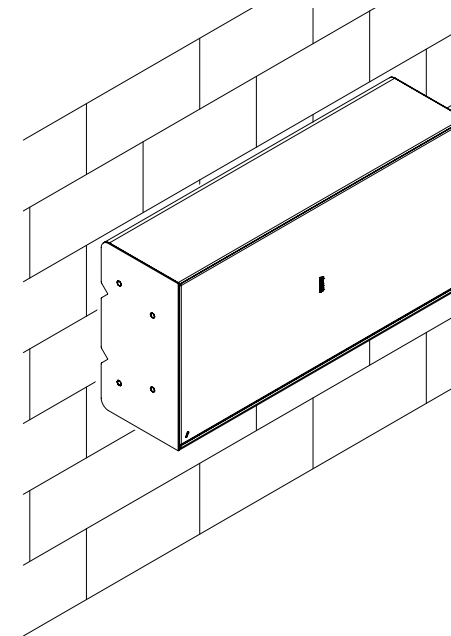
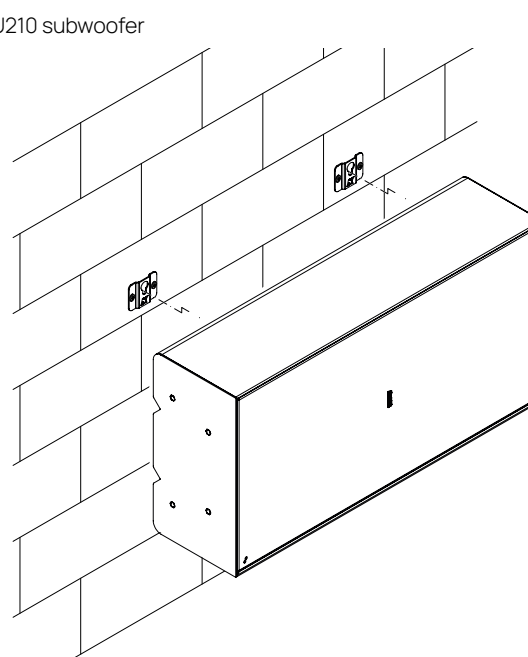


Horizontal mounting

1. Screw the pivots on the back threaded holes.
2. Stick the adhesive rubber spacers close to the bottom side of the loudspeaker.



- 5 Install the GU210 subwoofer

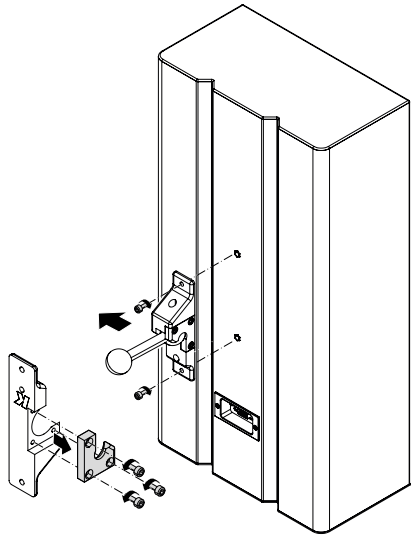


Installation on-wall with K-WALL2

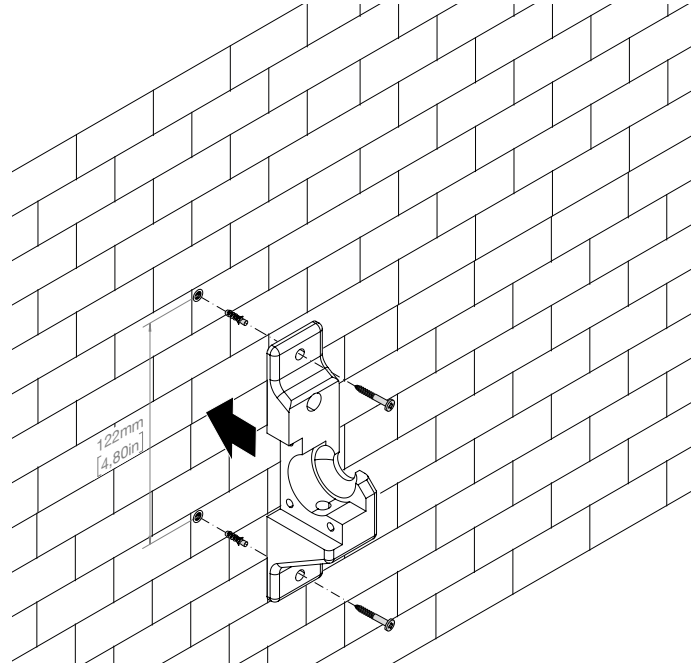
K-array™ K-WALL2 accessory for wall-mount can be used to install the GU210 on-wall. To install the subwoofer please be sure to have all the tools for drilling and screwing.

a Disassemble the K-WALL2 by removing the lateral plate of the bracket to be fixed on the surface.

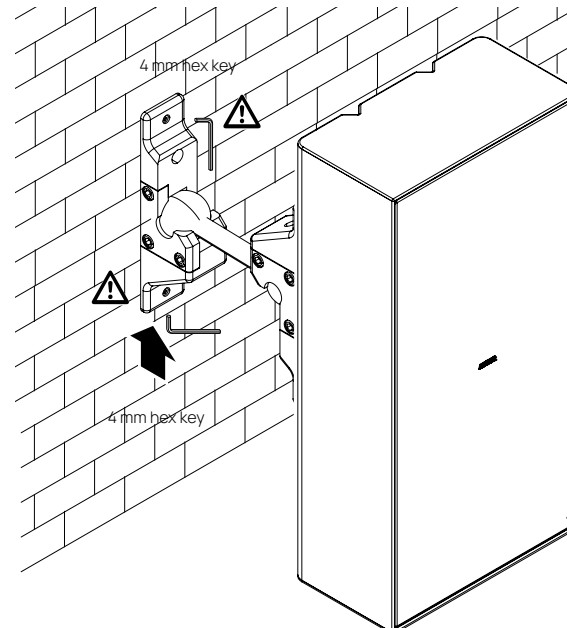
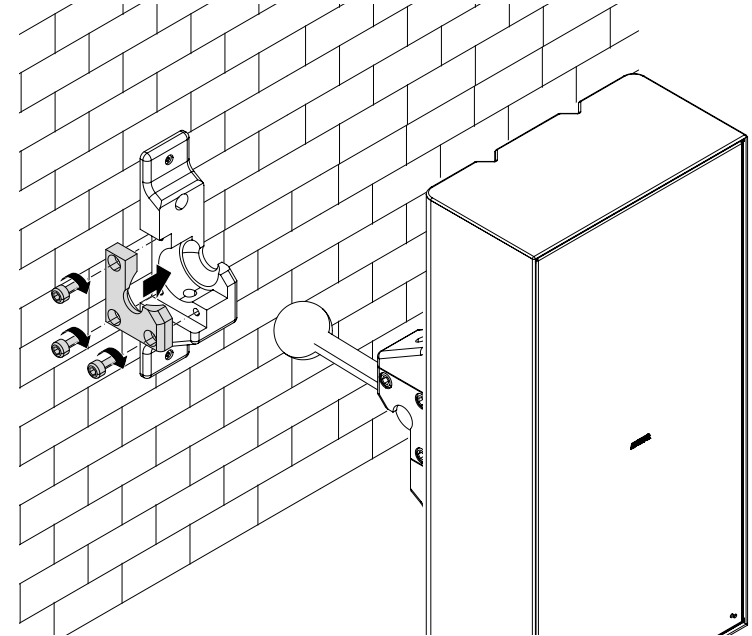
b Assembly the bracket to the loudspeaker.



c Drill two holes on the surface 122 mm (4.80 in) apart and install the bracket.



d Match the two parts of the bracket and fix them by assembling the lateral plate of the one attached to the wall.

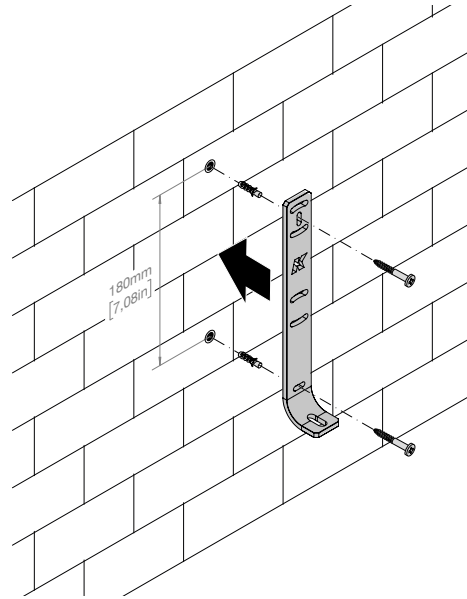


Installation on-wall with K-WALL2L

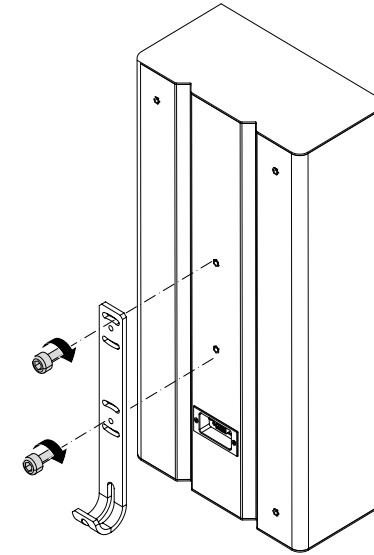
K-array™ K-WALL2L accessory for wall-mount can be used to install the GU210 on-wall. To install the subwoofer please be sure to have all the tools for drilling and screwing.

First, disassemble the K-WALL2L by removing the bottom screw of the bracket to be fixed on the surface.,

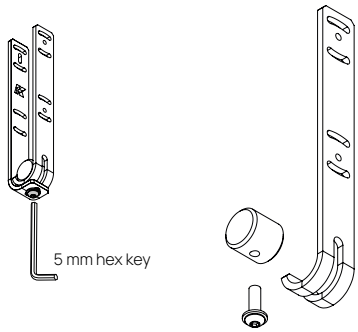
- B** Drill two holes on the surface 180 mm (7.08 in) apart and install the bracket with the K-shaped hole.



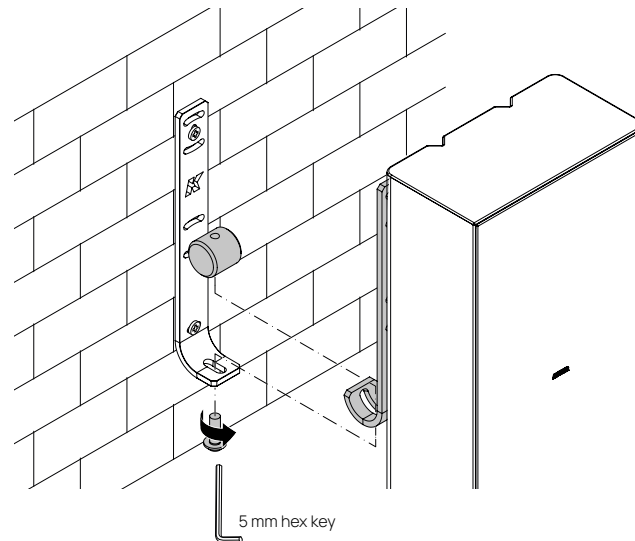
- C** Assembly the bracket to the loudspeaker.



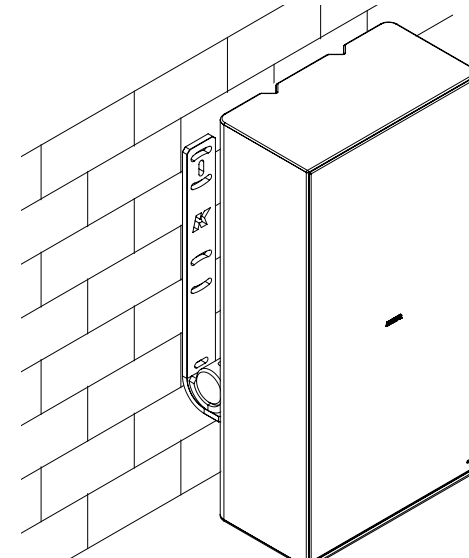
A



- D** Match the two parts of the bracket and fix them.



- F** The GU210 is installed on the wall with K-WALL2L



GU210

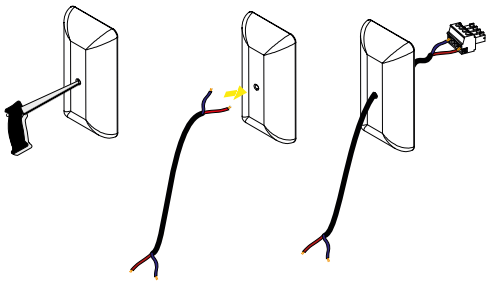
G-IPCAP1 sealing accessory for GU210

GU210 can be protected against foreign agents, salt, chlorine and water using the G-IPCAP1.

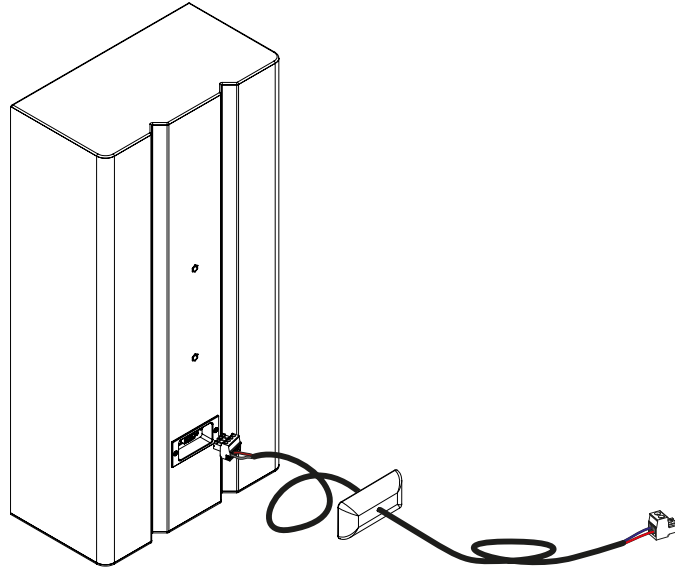
This is a dedicated IP sealing CAP made by highly resistant and tight rubber, thought to be mounted at the rear panel of the speaker to protect connectors from water.

To install GU210 with the dedicated accessory and for the correct wiring configuration, please following the procedures shown below:

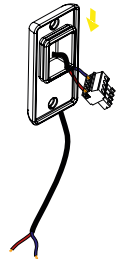
- 1 Take the dedicated accessory G-IPCAP1 and make a hole into the rubber material with a bradawl. Choose a cable with a sheath for greater insulation and pass it through the hole.



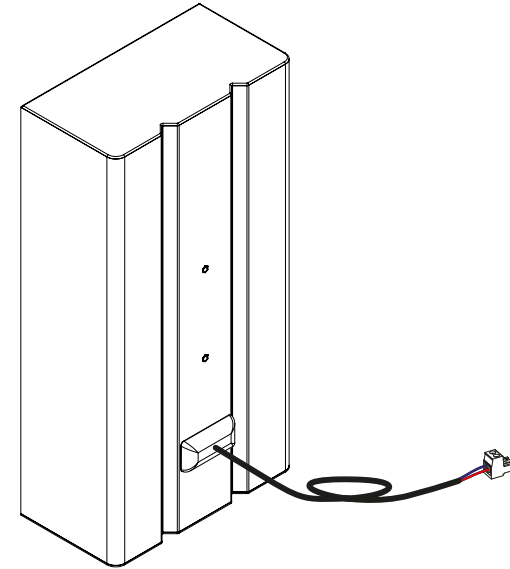
- 2 Make the audio connection connecting the wires to pin 1 - 2 (1+ 1-) to the Euroblock connector



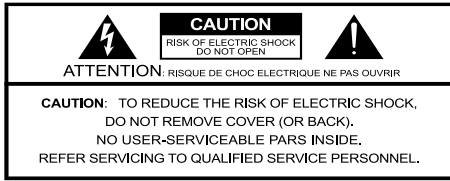
- 3 Ensure a secure fit by firmly pressing down the accessory's gasket to close the connector compartment.



- 4



IMPORTANT SAFETY INSTRUCTIONS



This symbol alerts the user to the presence of recommendations about the product's use and maintenance.



The lighting flash with arrowhead symbol within an equilateral triangle is intended to alert the user to the presence of uninsulated, dangerous voltage within the product enclosure that may be of magnitude to constitute a risk of electrical shock.



The exclamation point within an equilateral triangle is intended to alert the user to the presence of important operating and maintenance (servicing) instructions in this guide.



Operator's manual; operating instructions
This symbol identifies the operator's manual that relates to the operating instructions and indicates that the operating instructions should be considered when operating the device or control close to where the symbol is placed.



For indoor use only
This electrical equipment is designed primarily for indoor use.



WEEE
Please dispose of this product at the end of its operational lifetime by bringing it to your local collection point or recycling center for such equipment.



This device complies with Restriction of Hazardous Substances Directive.



Warning. Failure to follow these safety instructions could result in fire, shock or other injury or damage to the device or other property.

General heed and warnings

- Read these instructions.
- Keep these instructions.
- Heed all warnings.
- Follow all instructions.
- Do not use this apparatus near water.
- Clean only with dry cloth.
- Do not block any ventilation openings. Install in accordance with the manufacturer's instructions.
- Do not install near any heat sources such as radiators, heat registers, stoves, or other apparatus (including amplifiers) that produce heat.
- Only use attachments/accessories specified by the manufacturer.
- Clean the product only with a soft and dry fabric. Never use liquid cleaning products, as this may damage the products cosmetic surfaces.
- Use only with the cart, stand, tripod, bracket, or table specified by the manufacturer, or sold with the apparatus. When a cart is used, use caution when moving the cart/apparatus combination to avoid injury from tip-over.
- Unplug this apparatus during lightning storms or when unused for long periods of time.
- Refer all servicing to qualified service personnel. Servicing is required when the apparatus has been damaged in any way, such as power-supply cord or plug is damaged, liquid has been spilled or objects have fallen into the apparatus, the apparatus has been exposed to rain or moisture, does not operate normally, or has been dropped.



CAUTION: These servicing instructions are for use by qualified service personnel only. To reduce the risk of electric shock, do not perform any servicing other than that contained in the operating instructions unless you are qualified to do so.

These apparatus are intended for professional use.

Installation and commissioning may only be carried out by qualified and authorized personnel.

WARNING: Only use attachments/accessories specified or provided by the manufacturer (such as the exclusive supply adapter, battery, etc.)

Use only speaker cables for connecting speakers to the speaker terminals. Be sure to observe the amplifier's rated load impedance particularly when connecting speakers in parallel. Connecting an impedance load outside the amplifier's rated range can damage the apparatus.

KGEAR will not shoulder any responsibilities for products modified without prior authorization.

Service

To obtain service:

1. Please have the serial number(s) of the unit(s) available for reference.
2. Contact the official KGEAR distributor in your country: or KGEAR headquarter at info@kgear.it. Please describe the problem clearly and completely to the Customer Service.
3. You will be contacted back for on-line servicing.
4. If the problem cannot be resolved over the phone, you may be required to send the unit in for service. In this instance, you will be provided with an RA (Return Authorization) number which should be included on all shipping documents and correspondence regarding the repair. Shipping charges are the responsibility of the purchaser.

Any attempt to modify or replace components of the device will invalidate your warranty. Service must be performed by an authorized K-array service center.

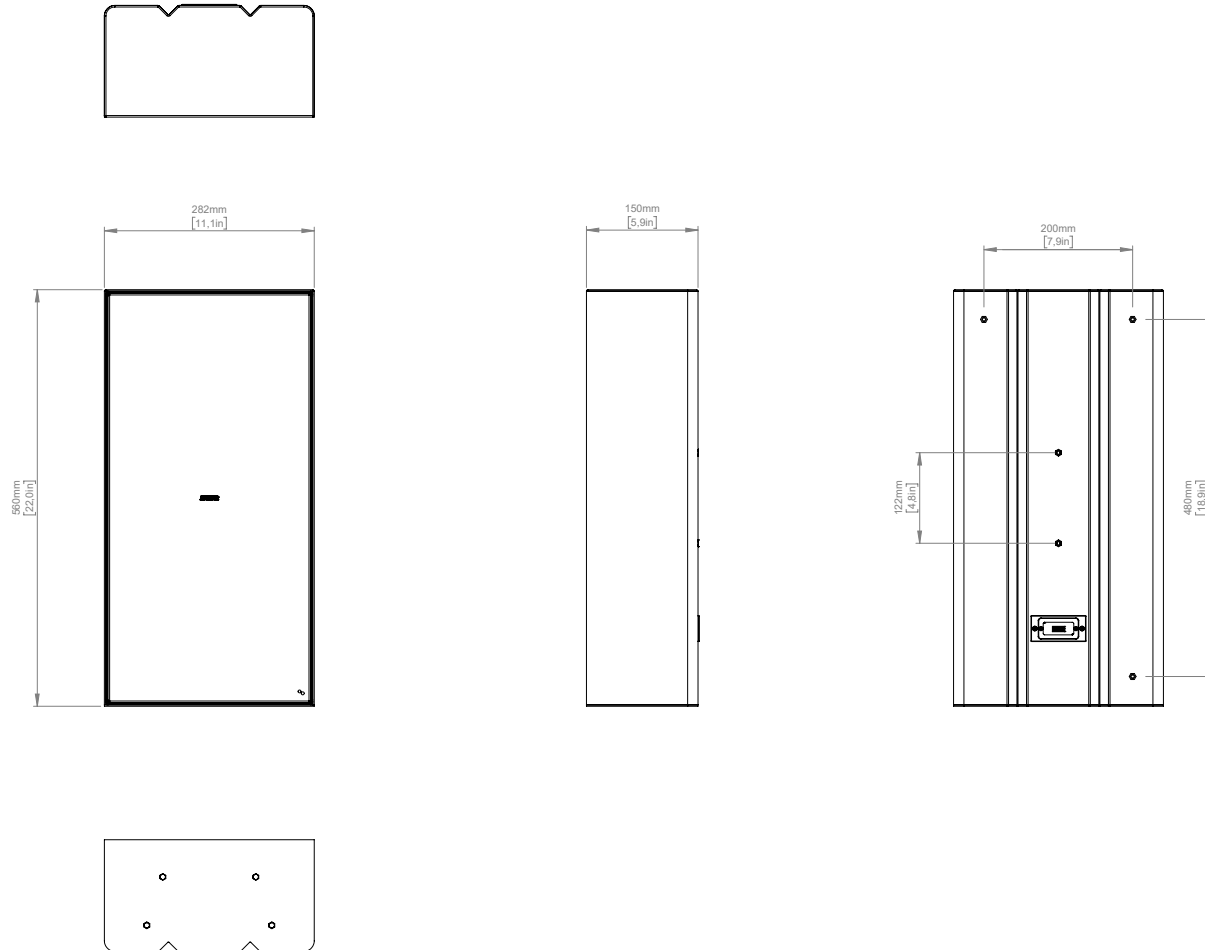
Cleaning

Use only a soft, dry cloth to clean the housing. Do not use any solvents, chemicals, or cleaning solutions containing alcohol, ammonia, or abrasives. Do not use any sprays near the product or allow liquids to spill into any openings.

GU210

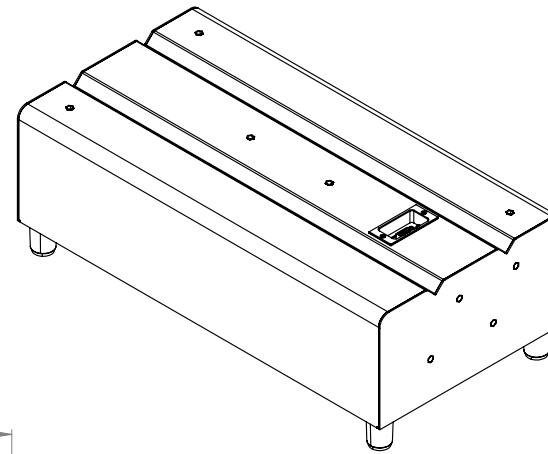
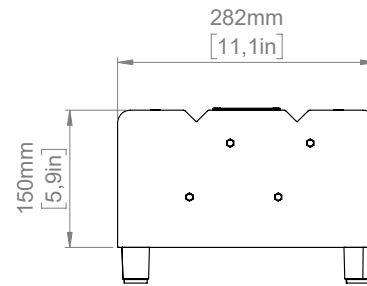
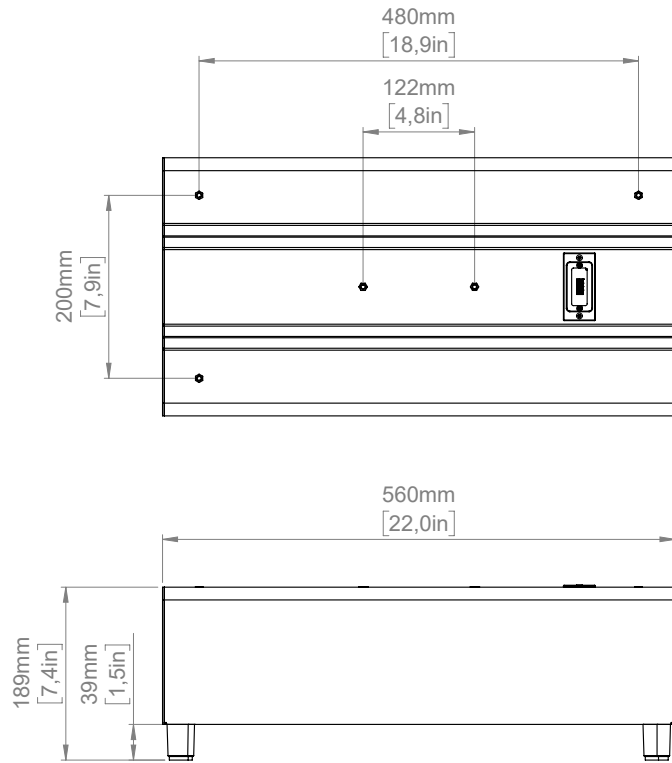
Mechanical Drawings

GU210

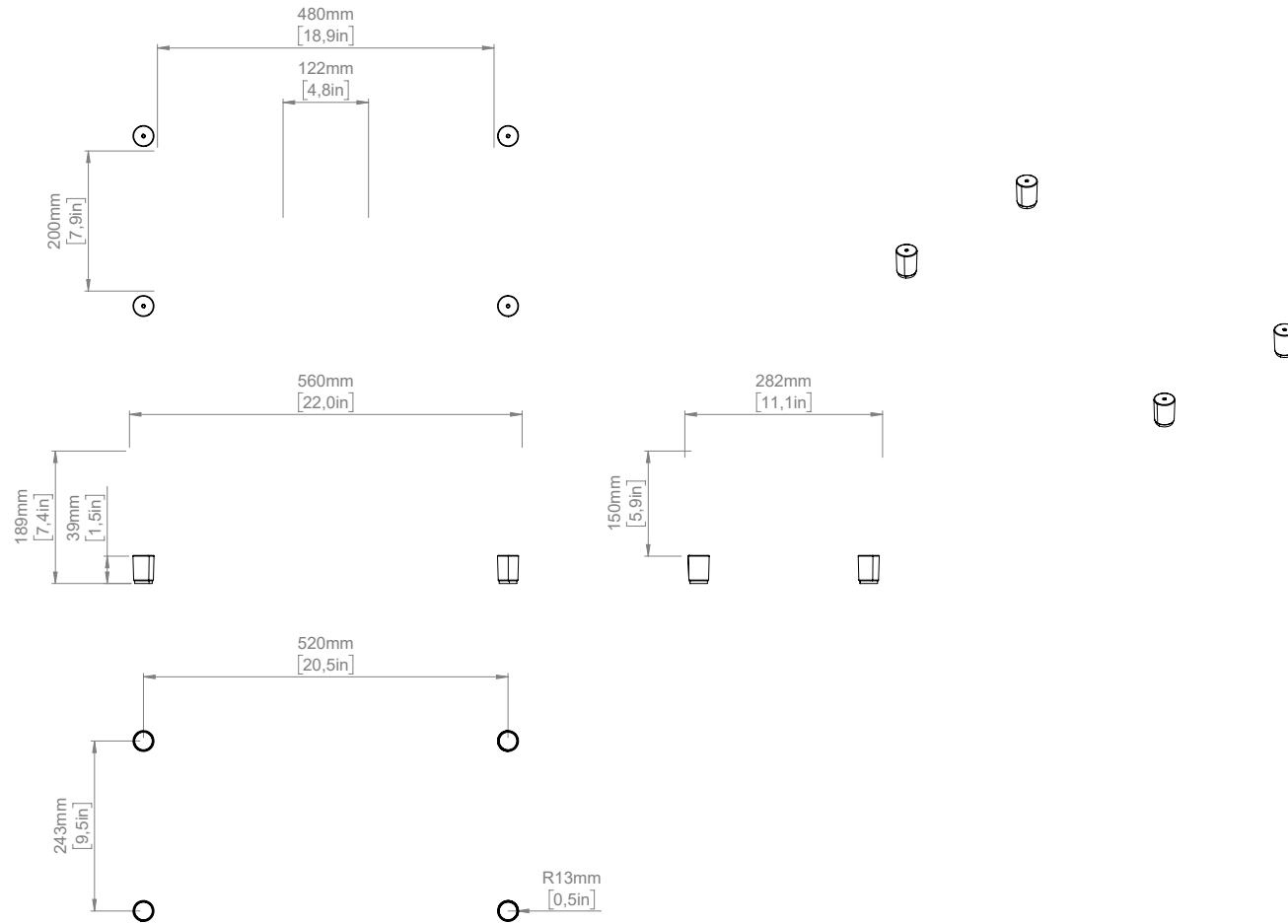


GU210

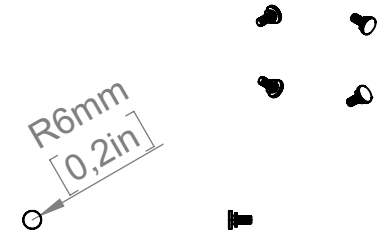
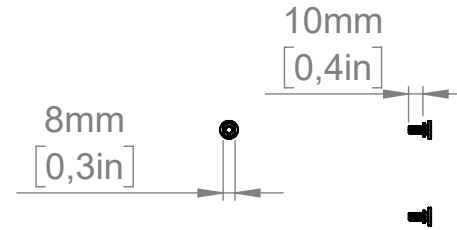
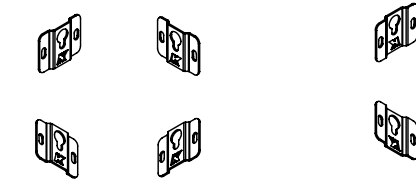
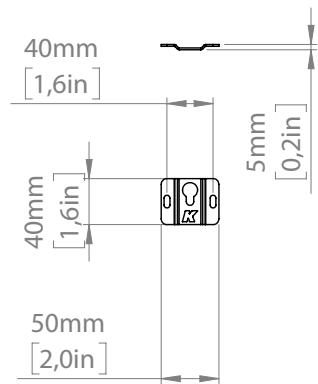
GU210-DOWNFIRING



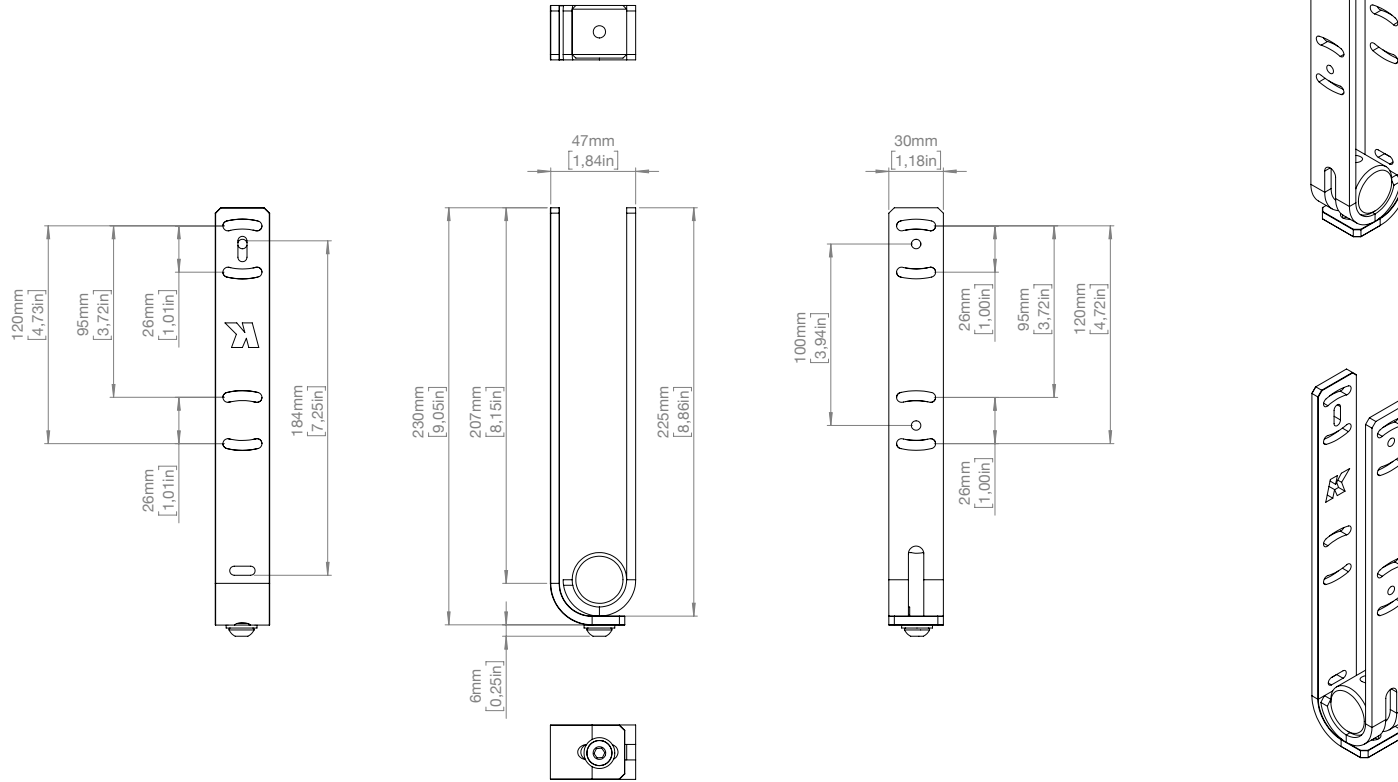
GU210-DOWNFIRING KIT



GU210-G-WALLHANG1



K-WALL2L



Technical specifications	
Type	Passive subwoofer
Transducer	10" ferrite magnet woofer 10" passive radiator
Frequency Response ¹	40 Hz - 250Hz (-6dB)
Max SPL ²	124 dB Peak
Rated power	400 W (peak)
Coverage	omni
Connectors	1x Phoenix connector (4-pin Euroblock)
Nominal Impedance	4 Ω
IP rating	IP64 (w G-IPCAP¹)
Handling & Finishes	
Dimensions (WxLxH)	560x 282 x 150 mm (22,8 x 11,1 x 5,9 inches)
Weight	13 kg (28,7 lb)
Material	Stainless Steel
Color	Black / White

¹ With built-in low pass filter / 40 - 150 Hz with dedicated preset

² Maximum SPL is calculated using a signal with crest factor 4 (12 dB) measured at 8 m then scaled at 1 m

KGEAR by K-array surl
via P. Romagnoli 17 - 50038 - Scarperia e San Piero -
Firenze - Italy - www.kgear.it