



ENG • ITA

**GH4 - GH4A**

**GH4LIVE**

**GH4R - GH4RM - GH4RTM**

**GH4M - Marine**

**4" High Performance Full-Range Speaker - passive or active**

**4" High Performance Full-Range Speaker with SpeakON connectors**

**4" High Performance Recessed-Mount Full-Range Speaker - with built in transformer**

**4" High Performance Full-Range Speaker - passive 16 Ω - with marine treatments**

Thank you for choosing KGEAR!

To ensure proper operation, please carefully read this owner's manual and safety instruction before using the product. After reading this manual, be sure to keep it for future reference.

If you have any questions about your new device please contact K-array customer service at info@kgear.it or contact the local distributor in your country.

Introducing the GH4 family of stainless steel full-range speakers, featuring 4-inch dual-cone drivers, combining compactness, durability, and high performance to deliver quality audio in various configurations. The GH4 is a compact passive loudspeaker featuring a 4" full-range driver, dual-coil neodymium magnet, and variable impedance (4 Ω - 16 Ω). It's suitable for diverse installations such as hospitality, transportation, broadcast, theaters, and residential areas. Multiple GH4 units can be combined for enhanced performance and long throw distance.

Encased in stainless steel, the GH4R model is fully sealed and recessed (available also with marine treatments), while the GH4RT variant, equipped with a built-in transformer, is compatible with high voltage lines at 100V and 70V, offering different power taps. Both models feature removable magnetic grilles for fast installation.

The GH4A active version boasts a built-in amplifier, balanced line input, mute contact, and auto ON/OFF switch, with the ability to power additional KGEAR speakers or passive subwoofers.

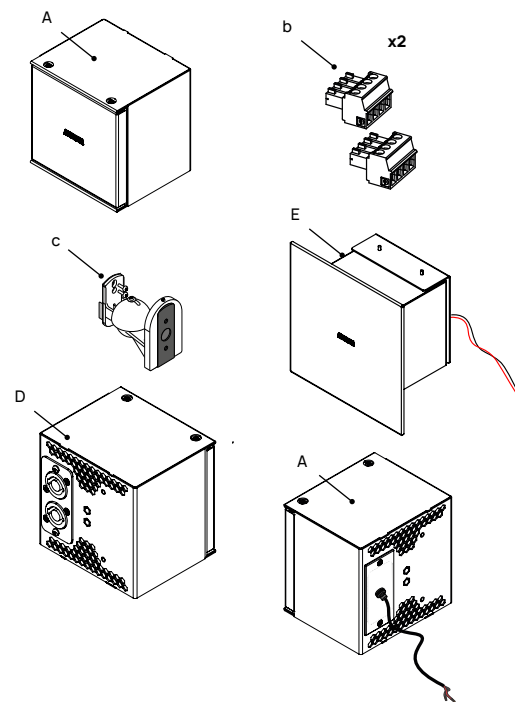
The GH4LIVE now includes 2x SpeakON connectors, ideal for live entertainment setups, with one connector offering LINK OUT for expanded speaker arrays, supporting a 16-ohm load impedance for added versatility.



**Unpacking**

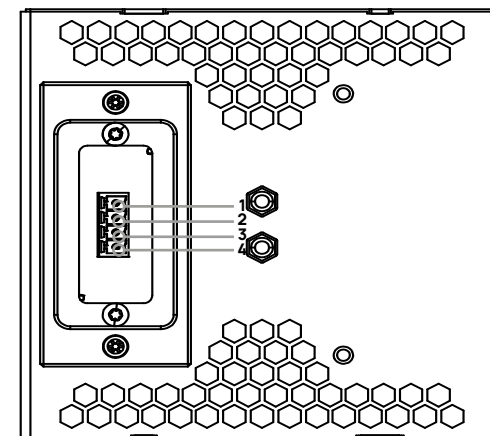
Each KGEAR device is inspected before leaving the factory. Upon arrival, carefully inspect the shipping carton, then examine and test your new device. If you find any damage, immediately notify the shipping company. Check that the following parts are supplied with the product:

- A. 1 x GH4 - (GH4A) - (GH4M) mini array element plus:
- b. 1 x Phoenix connector (GH4) - 2x Phoenix connectors (GH4A) (4 pin - Euroblock 1,5/ 4-ST-3,81) with dedicated jumper cables to selectable impedance wiring.
- c. 1x GF-WALL x GH4 on-wall mounting bracket + screws and plugs
- D. 1x GH4R - (1x GH4RT) - (GH4RM)
- E. 1x GH4LIVE



**GH4 passive loudspeaker**

GH4 passive speaker is equipped with 1x Phoenix connector 4 pin - Euroblock 1,5/ 4-ST-3,81.



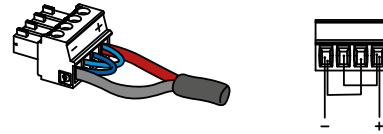
## Wiring

### Impedance selection

To offer flexibility in impedance settings, the GH4 allows to wire the two voice coils in either parallel or series configuration. Wiring in parallel results in a total impedance of 4Ω, while series wiring yields a total impedance of 16Ω. The chosen impedance value can have an impact on the speaker's performance and compatibility with your audio setup.

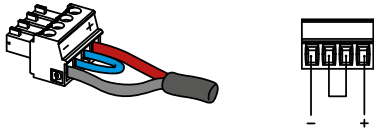
To set the desired impedance value use the dedicated jumper cable:

4Ω Low-Z



| 4 Ω   |   |
|-------|---|
| PIN 1 | <span style="color: red;">●</span> SIGNAL + parallel(+ 1) |
| PIN 2 | <span style="color: blue;">●</span> SIGNAL - parallel(1-) |
| PIN 3 | <span style="color: red;">●</span> SIGNAL + parallel(2+)  |
| PIN 4 | <span style="color: blue;">●</span> SIGNAL - parallel(2-) |

16Ω High-Z



| 16 Ω  |   |
|-------|---|
| PIN 1 | <span style="color: red;">●</span> SIGNAL + (1+)    |
| PIN 2 | <span style="color: blue;">●</span> bridged (1- 2+) |
| PIN 3 |   |
| PIN 4 | <span style="color: blue;">●</span> SIGNAL - (2-)   |

### Amplifier Channel Matching

After correctly setting the impedance value for your audio system, ensure it is connected to the suitable KGEAR or K-array amplifier unit. For parallel connection of multiple units, please consult the provided table at the following link. - [KGEAR amplifier to KGEAR speaker Matching Table](#). Please remember that the parallel connection lowers the total load impedance.



KGEAR-to-KGEAR

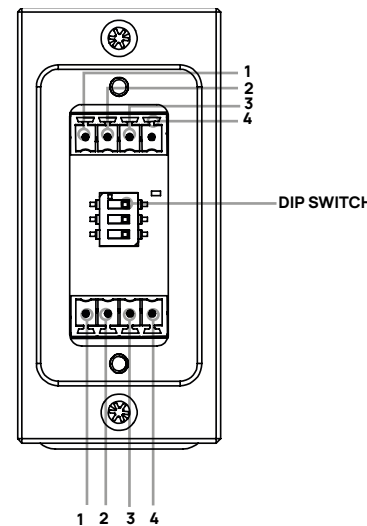
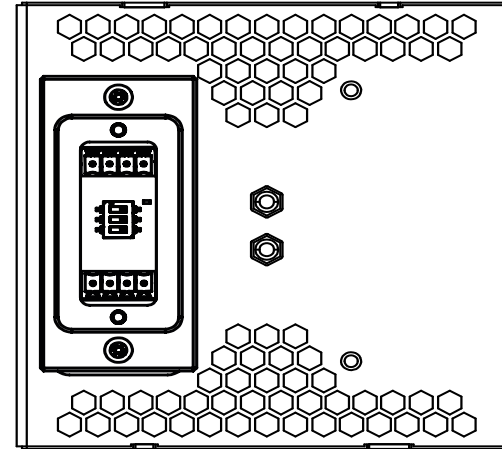


K-array-to-KGEAR

Always check the loudspeaker impedance before connecting the amplifier.

### GH4A active

Signal polarity balanced line Input (MONO) - mute contact - power output sand ON-OFF switch selector of GH4A.



GH4A features 2 x Phoenix connectors (4-pin Euroblock 1.5/ 4-ST-3,81) with:

#### INPUTS:

- 1x balanced line input - (mono)
- DC power input (DC+, DC-)
- 1x mute contact (normally open) - more information about mute wiring and connections can be found in the GH4A rear panel section in the next pages.

#### OUTPUTS:

- 1x power outputs to connect another KGEAR speaker or passive subwoofer driven by the built-in amplifier module, 4 Ω minimum load.

#### CONTROLS:

- 1x auto ON/OFF switch with selectable thresholds  
The dip switch controls the auto-standby mode of the speaker and can be set to 3 different thresholds - see the Dip switch modes section.

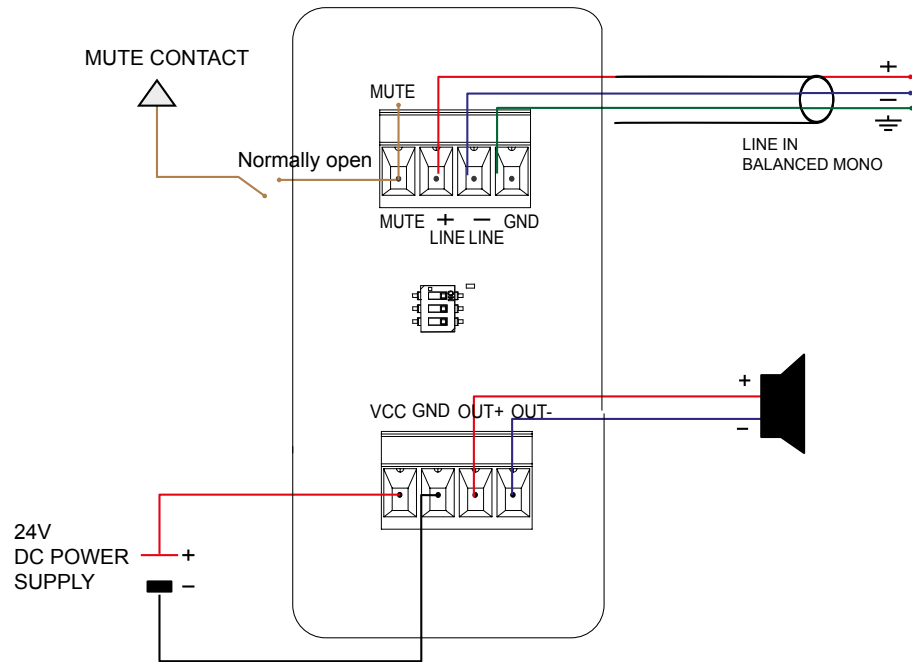
| GH4A - Wiring |                   |                                      |                   |                                       |
|---------------|-------------------|--------------------------------------|-------------------|---------------------------------------|
|               | Power connector 1 |                                      | Audio connector 2 |                                       |
| PIN 1         | +DC POWER IN      | <span style="color: green;">●</span> | GND               | <span style="color: black;">●</span>  |
| PIN 2         | GND               | <span style="color: black;">●</span> | LINE -            | <span style="color: blue;">●</span>   |
| PIN 3         | POWER OUT +       | <span style="color: red;">●</span>   | LINE +            | <span style="color: red;">●</span>    |
| PIN 4         | POWER OUT -       | <span style="color: blue;">●</span>  | MUTE CONTACT      | <span style="color: yellow;">●</span> |

It is possible to use the G-AL120 power supply accessory to provide power to the internal amplifier module. This accessory is able to drive up to 1x GH4A amplifier module and 1xGH4 connected with the LOW-Z → 4 Ω impedance selection.

With a minimum load of 4 Ω, the amplifier module is capable of delivering a power of 100 W with a maximum consumption of 6.5 A (Irms).

## GH4A rear panel

It is possible to connect an external switch to the Mute contact input to close the circuit down and switch the speaker off. For any other connection, power output and balanced input connections, please follow the scheme below.



## DIP Switch modes

The table below illustrates three different modes along with their corresponding input signal threshold values, which can be used to configure the ON/OFF switch.

| ON/OFF SWITCH MODES                |  |                   |  |
|------------------------------------|--|-------------------|--|
| MODES                              |  | Thresholds Values | Description  |
| NO THRESHOLDS                      |  | /                 |  |
| HIGH THRESHOLDS<br>LOW + MID + HGH |  | -42 dBu           | The amplifier switches on only after a stronger signal has passed the chosen threshold. This mode is useful to avoid noisy signal to enter the circuit   |
| MEDIUM<br>LOW + MID ON             |  | -46 dBu           | This mode requires the input signal to be stable and exceed the minimum threshold for an extended period to keep the speaker switched on.                |
| LOW THRESHOLDS<br>LOW ON           |  | -52 dBu           | The amplifier module switches ON immediately when the signal is higher than this minimum threshold, this mode is useful when a quick response is needed. |

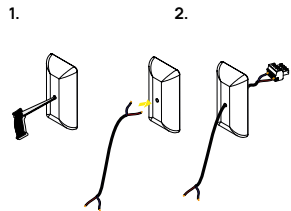
## G-IPCAP1 mounting and speaker wiring

GH4 and GH4A can be protected against external agents and water using the G-IPCAP1 accessory.

This is a dedicated IP sealing CAP made by highly resistant and tight rubber, thought to be mounted on the rear panel of the speaker to protect connectors from water.

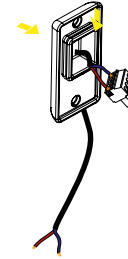
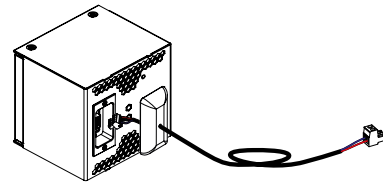
To install GH4 with the dedicated accessory, please follow the procedure shown below:

1. Take the dedicated accessory G-IPCAP1 and make a hole into the rubber material with a cutting saw.
2. Choose a cable with a sheath for greater insulation and pass it through the hole.



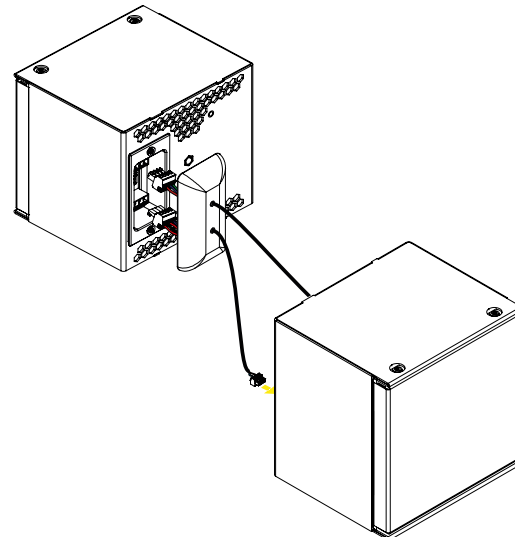
3. Connect the wires to pins 1 - 4 of the provided Euroblock connector and plug it to the speaker's terminals.
4. Use the jumper cables for the desired impedance configuration.
5. GH4A connections are shown in the picture below . For external input, connect the wires to line+ line- and GND (balanced line input - mono) as shown in the scheme in the previous page, and to DC- DC+ for external power supply. Take the power from out+ out- for power connection to drive an other speaker.
6. Ensure a secure fit by firmly pressing down the accessory's gasket to close the connector compartment.
7. For GH4 passive speaker - connect the speaker to the dedicated amplifier channel. GH4 is finally installed with the G-IPCAP1 accessory.

GH4

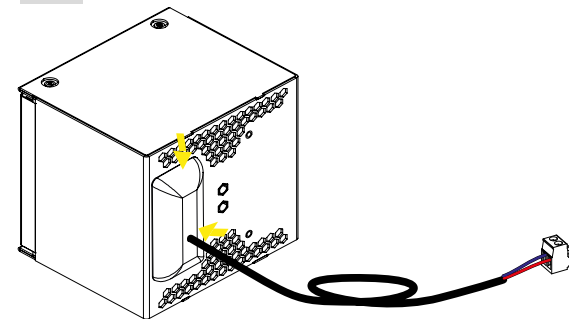


5. GH4A connections are shown in the picture below . For external input, connect the wires to line+ line- and GND (balanced line input - mono) as shown in the scheme in the previous page, and to DC- DC+ for external power supply. Take the power from out+ out- for power connection to drive an other speaker.
7. For GH4 passive speaker - connect the speaker to the dedicated amplifier channel. GH4 is finally installed with the G-IPCAP1 accessory.

GH4A



GH4





## GH4LIVE Rear panel

The GH4LIVE is fully equipped for live entertainment applications - like GH4 it has 1x 4" full-range driver with dual-cone for extended frequency response.

The rear panel of the speaker hosted 2x SpeakON NL4 connector: The internal voice coils are connected to pins 1+ 1- of the SpeakON A located at the bottom of the panel - as INPUT connector, for receiving the signal from the amplifier or active subwoofer.

The connector at the bottom serves as a pass-through, with the signal passing through pins 2+ 2- of SpeakON B to link with other speakers in array or multiple-speakers in parallel configurations.

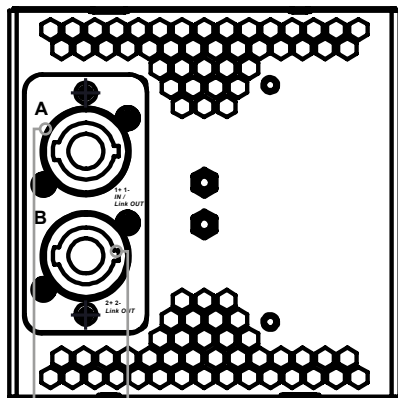
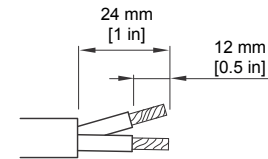
| SpeakON  |   | GH4LIVE |                   |
|--|---|---------|-------------------|
| <br>A | 1 | 1+ 1-   | SIGNAL / IN       |
|  |   | 2+ 2-   | TROUGH / LINK OUT |
| <br>B | 2 | 1+ 1-   | SIGNAL / IN       |
|  |   | 2+ 2-   | TROUGH / LINK OUT |

### Impedance settings

GH4LIVE dual cone drivers are connected at 16Ω impedance. The number of GH4LIVE that can be driven in parallel to the same amplifier channel depends on the amplifier model and power, loudspeaker impedance and amplifier power. The parallel connection lowers the total load impedance.

Using GA43 (4x 750W @4 Ω) KGEAR amplifier - is possible to connect up to 4 GH4LIVE in parallel to the same amplifier channel to have maximum power and optimal configuration. (See previous page for KGEAR amplifier to KGEAR speakers Matching table link.)

1+1- / 2+ 2-  
IN / LINK OUT trough



1+1-  
IN / LINK OUT

2+ 2-  
LINK OUT



KGEAR-to-KGEAR



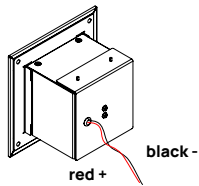
K-array-to-KGEAR

## GH4R recessed loudspeaker Installation

The GH4R recessed model shares the same acoustic characteristics as the GH4 and features an external frame with holes for convenient and swift wall or ceiling recessed installation. The grille is magnetized, ensuring effortless removal and replacement when inserting the speaker into the wall.

The speaker is fully enclosed to provide optimal protection against external elements, ensuring durability once installed. Additionally, for added convenience, the back panel is equipped with cable pass-through and already includes two terminal wires, red and black (+/-), for easy connection to the amplification system.

GH4R



### Impedance settings

The GH4R dual cone speakers are internally connected at 16 Ω impedance. Please ensure to adhere to this impedance value when selecting the necessary amplifier to drive the speaker, and when connecting multiple speakers in parallel for distributed installations.

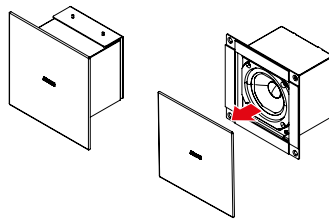


Always check the loudspeaker impedance before connecting to the amplifier.

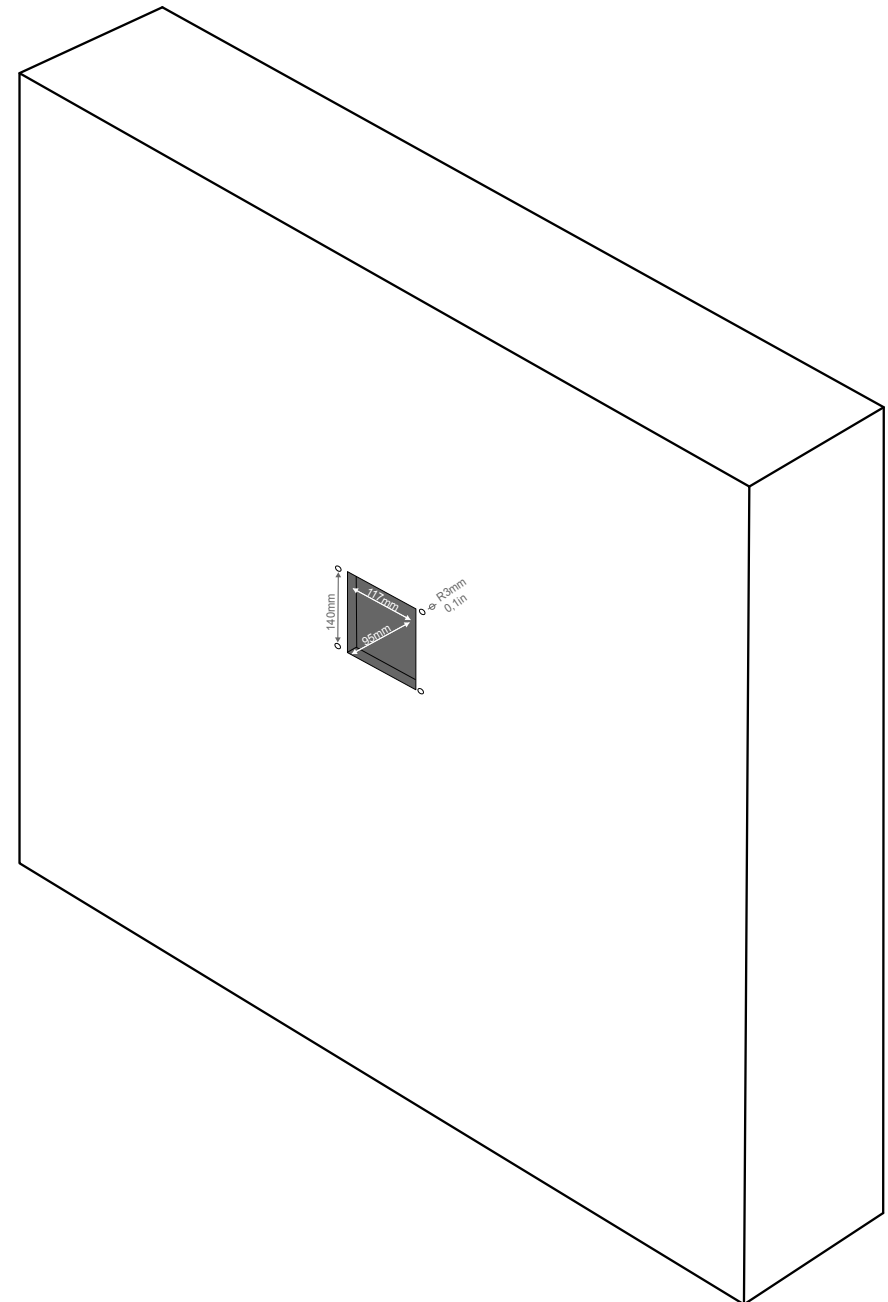
To recessed installation in-wall please follow this steps:

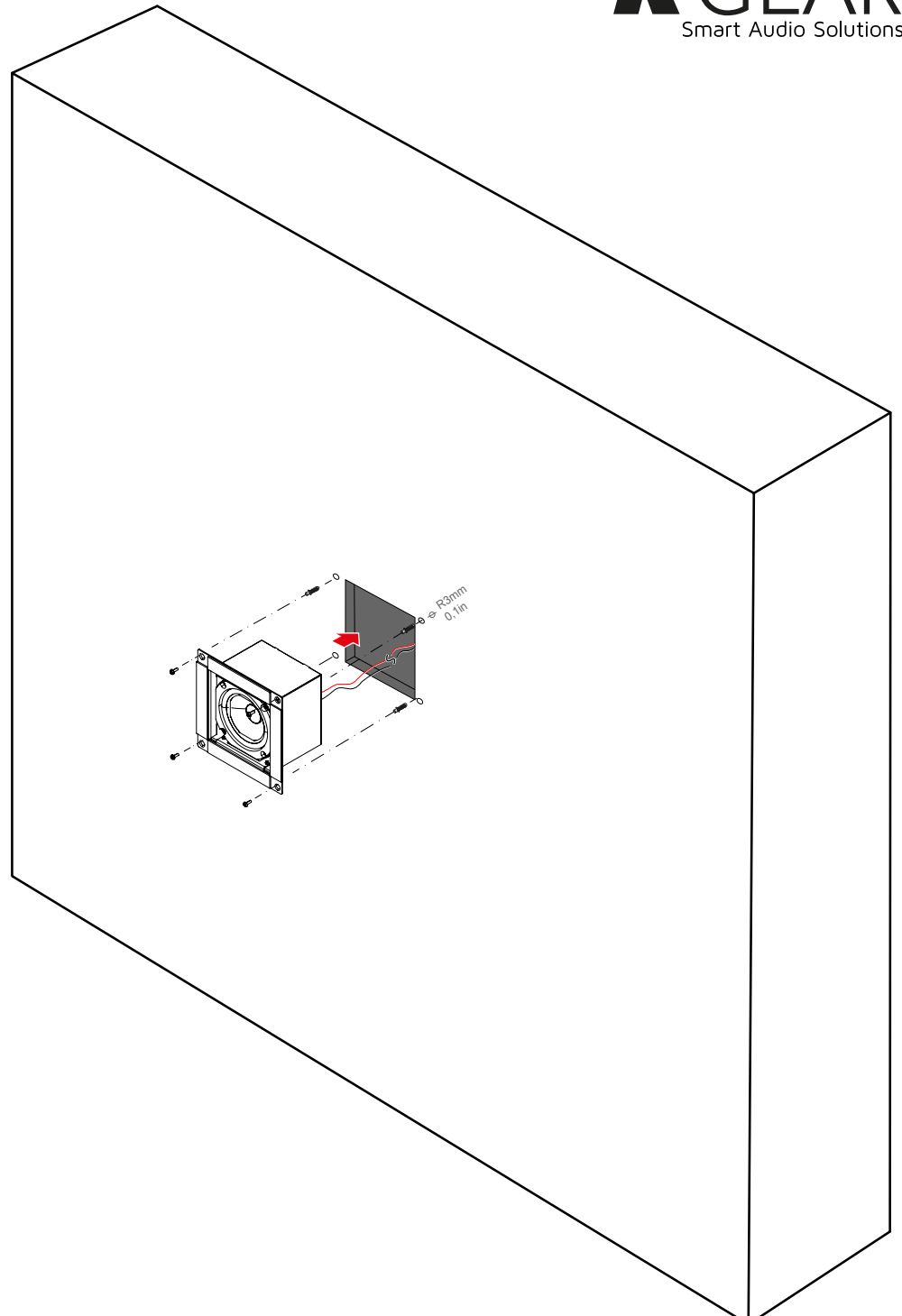
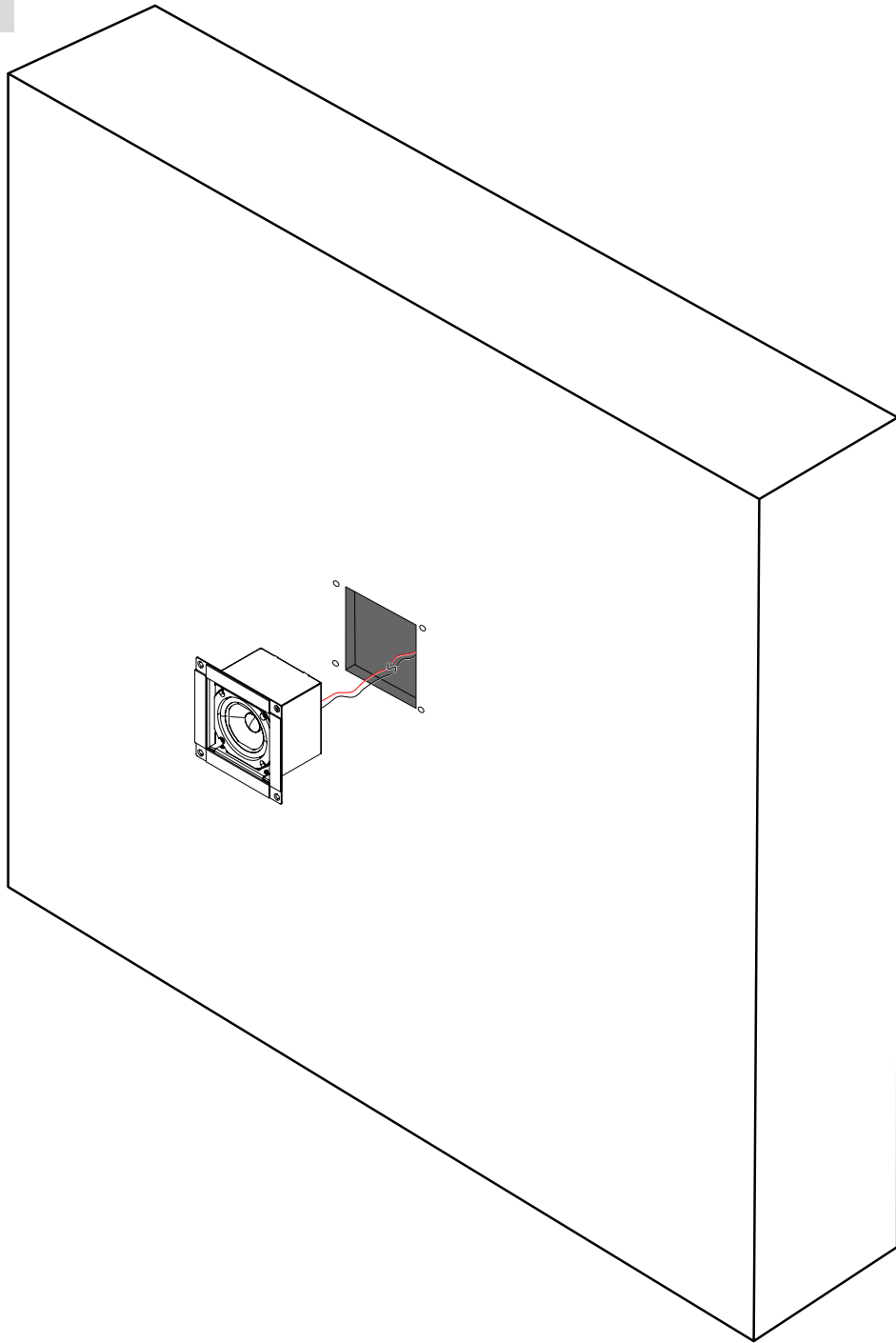
1. Determine the optimal position on the wall for speaker installation, taking into account desired audio coverage, listening area, mounting height, room layout, and acoustic properties.
2. Gather the necessary tools to drill a hole in the wall measuring at least 117x117x95 mm (LxWxD), based on the speaker's dimensions provided in the mechanical drawing.
3. The GH4R speaker frame includes four 0.1mm holes for wall mounting. Use a drill to create four additional small holes, each spaced 140mm (frame exterior dimension) apart from the previously drilled hole.
4. Remove the magnetic grille from the speaker.
5. Use the cables already routed within the wall to connect the speaker to the designated amplifier, ensuring careful attention to impedance settings, particularly for multiple distributed speaker installations.
6. Recess the speaker into the wall and secure it using four 3mm screws and wall plugs.
7. Reattach the grille to the speaker.
8. Test your audio system to ensure proper functionality and enjoy your music!

4

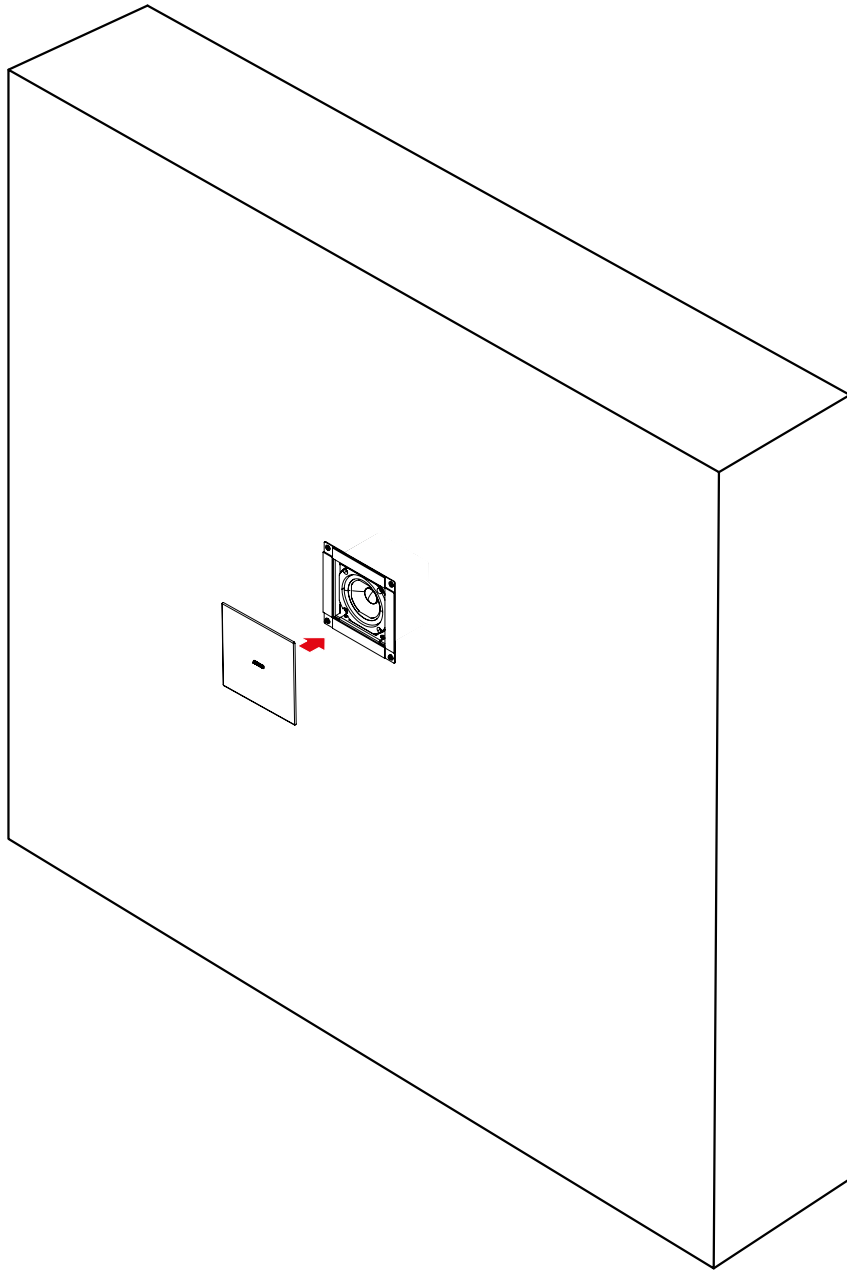


2  
3

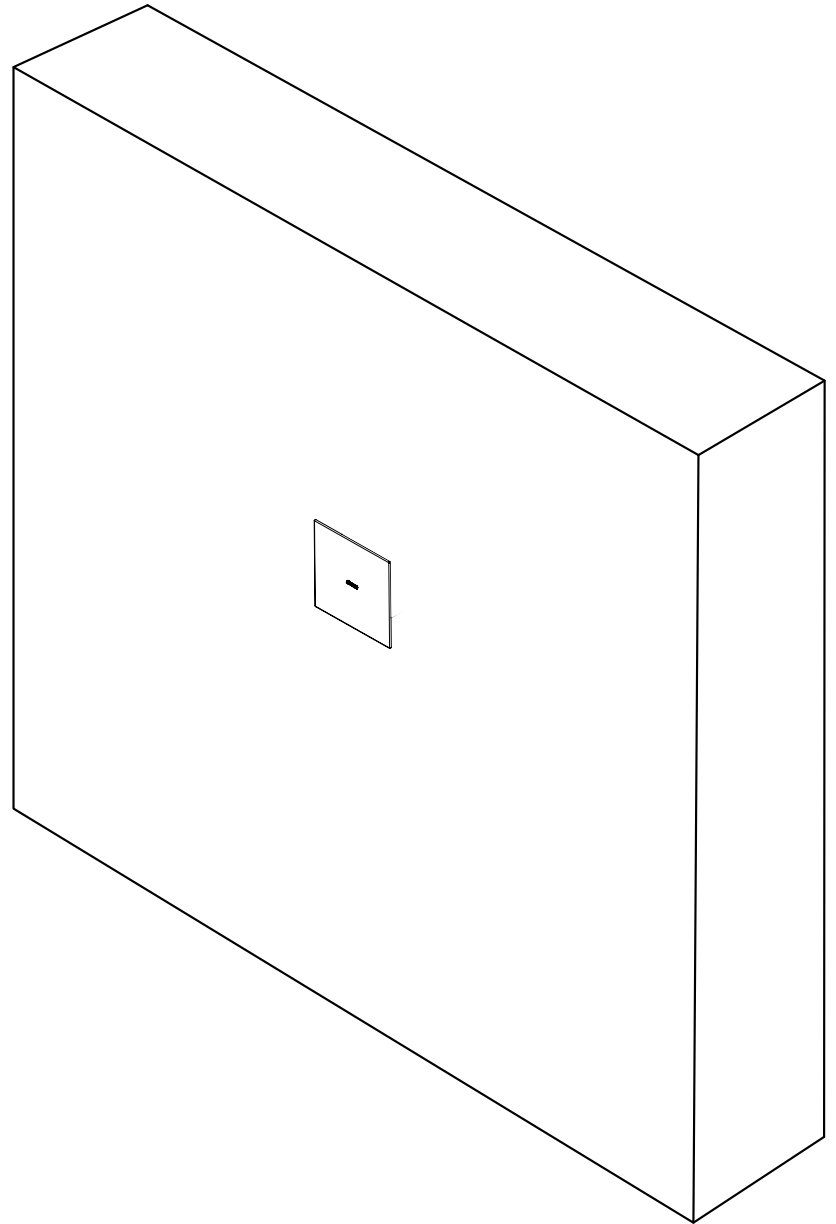




6



7



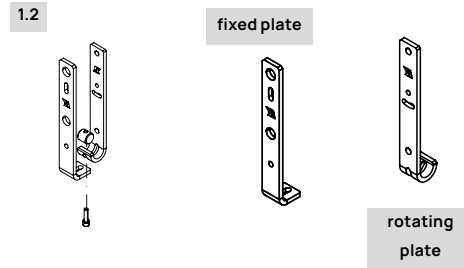
**GH4 + K-WALL2LMINI**

**Installation on wall - maximum inclination and tilting**

The K-WALL2LMINI is a miniature bracket derived from the larger K-WALL2L model by K-array™. This bracket is designed for wall installation of audio columns and allows the speaker to be tilted downward by at least 45 degrees. Despite its small size, the K-WALL2LMINI retains the functionality of the larger model, offering a compact solution for securely mounting speakers while providing the option to direct the sound towards the audience or the desired area. The standout feature of the K-WALL2LMINI is its ability to allow for an even greater tilt, and it can also be used for ceiling installations. This added flexibility makes it an ideal choice for various setups, providing more options for precise sound direction and versatile mounting configurations.

**Installation:**

First, disassemble the K-WALL2L by removing the bottom screw of the bracket to be fixed on the surface.



The bracket's plate with the flatter end is the one that gets mounted on the wall, acting as the base for the other bracket. Thanks to a freely rotating washer, the second bracket allows the speaker to be easily tilted to the desired angle.

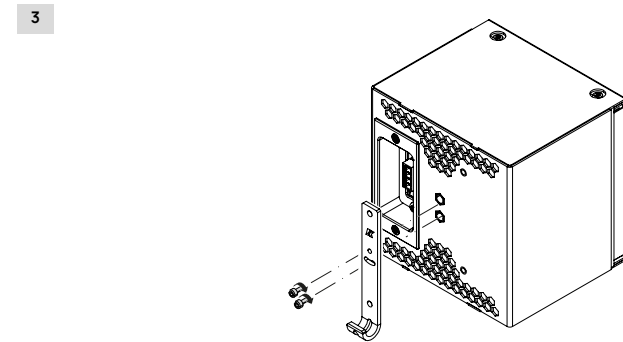
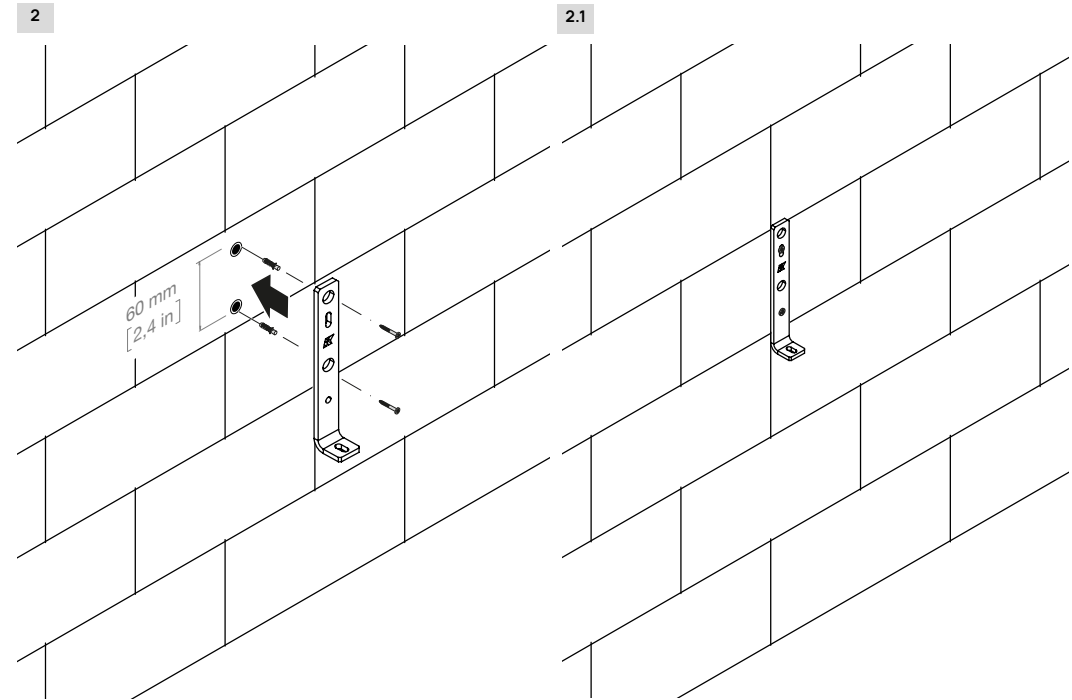


**K-WALL2LMINIM – Marine version**

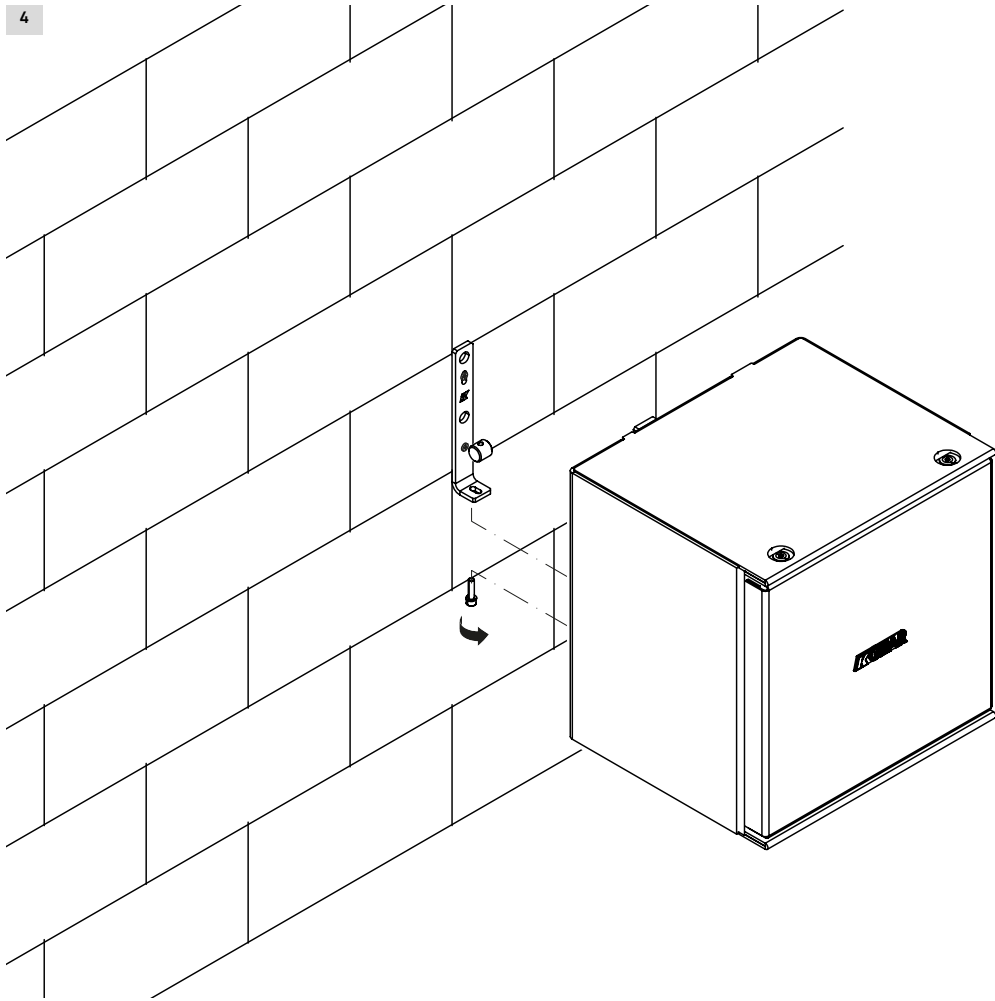
The marine version of the K-WALL2LMINIM bracket is specifically designed for installations in coastal and marine environments.

Manufactured with corrosion-resistant materials and protective surface treatments, it ensures maximum durability even when exposed to salt, moisture, and extreme weather conditions. **Compatible with GH8M, more info about the product at page 14.**

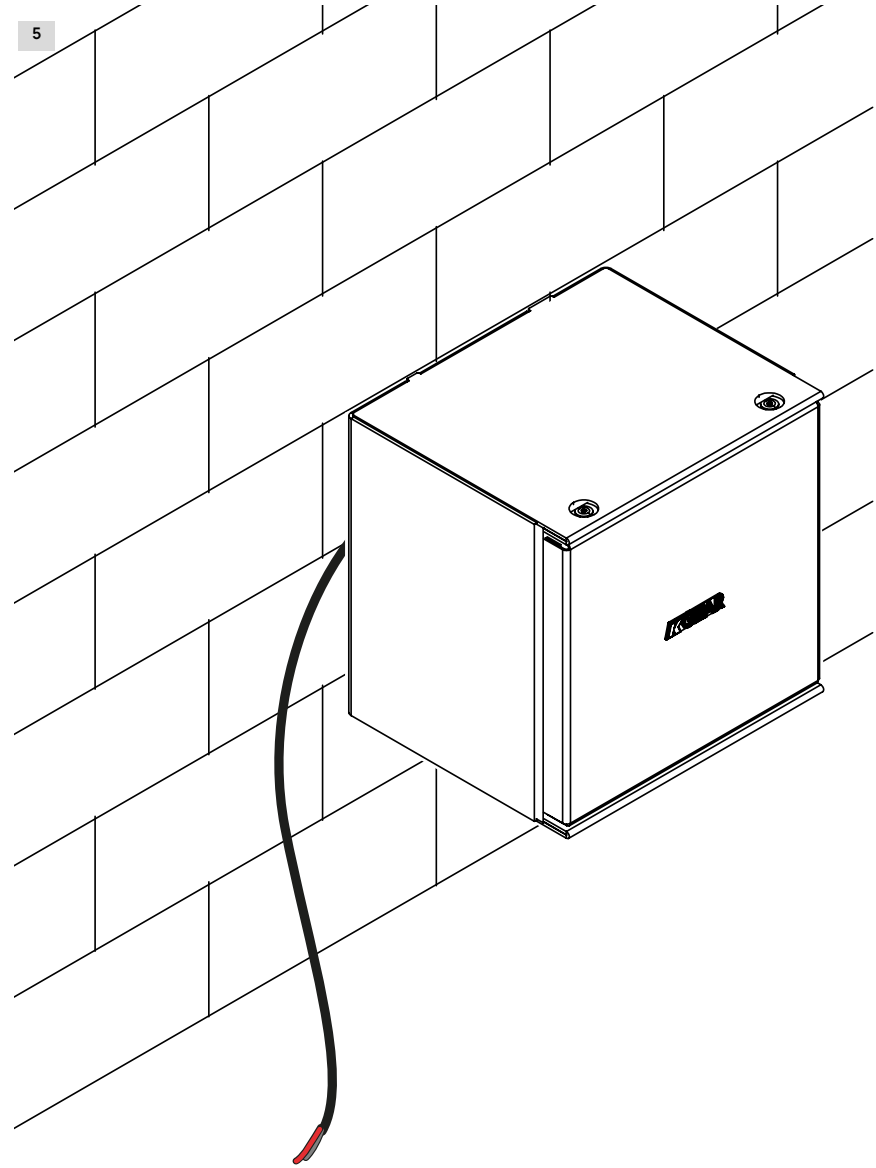
1. First, determine the ideal position for mounting the speaker on the wall, considering both the height and distance relative to the area you want to cover and properly sound.
2. Mount the plate to the wall using two screws and anchors, spaced 60mm apart
3. After the plate has been mounted on the wall, the other plate should be secured to the speaker using the provided mounting screws.
4. Then, reattach the bracket to the wall-mounted plate, and if needed, adjust the speaker to the desired angle.
5. GH4 is installed on wall with the K-WALL2LMINI bracket accessory.

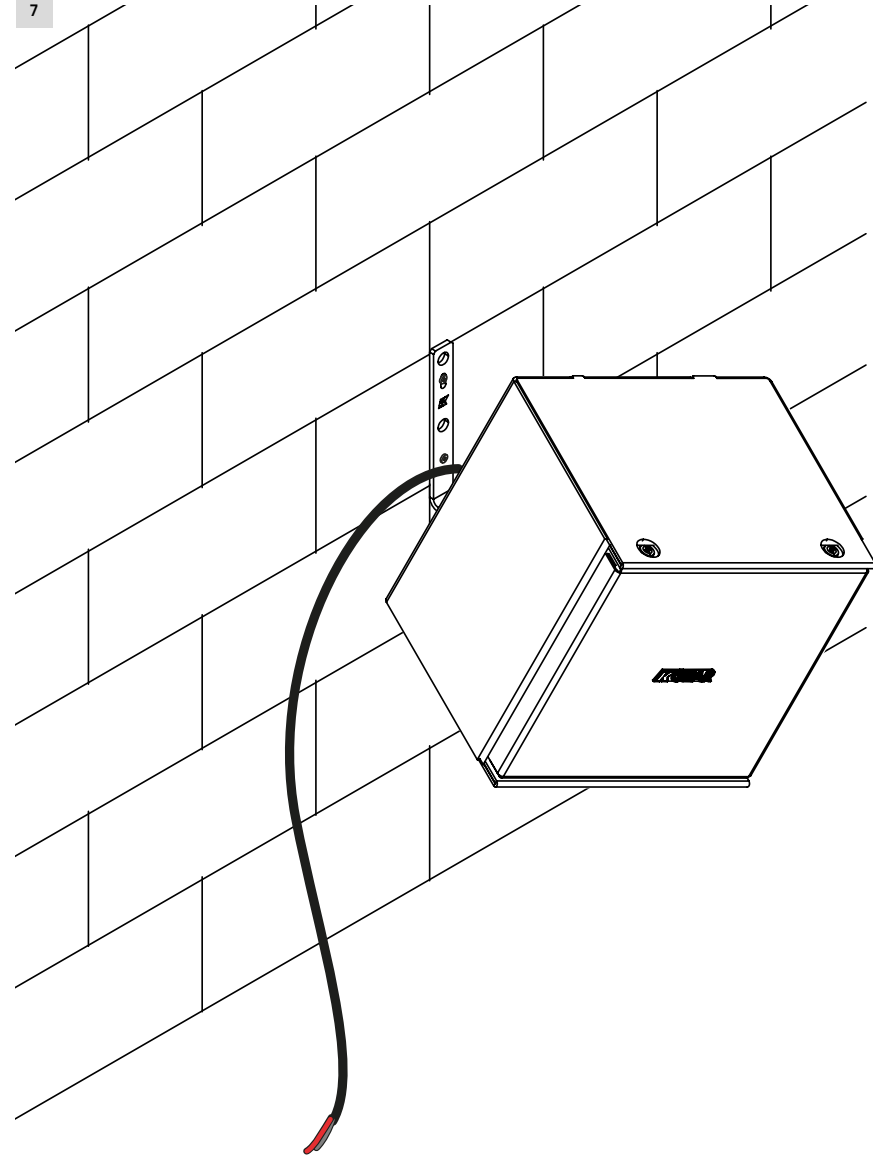
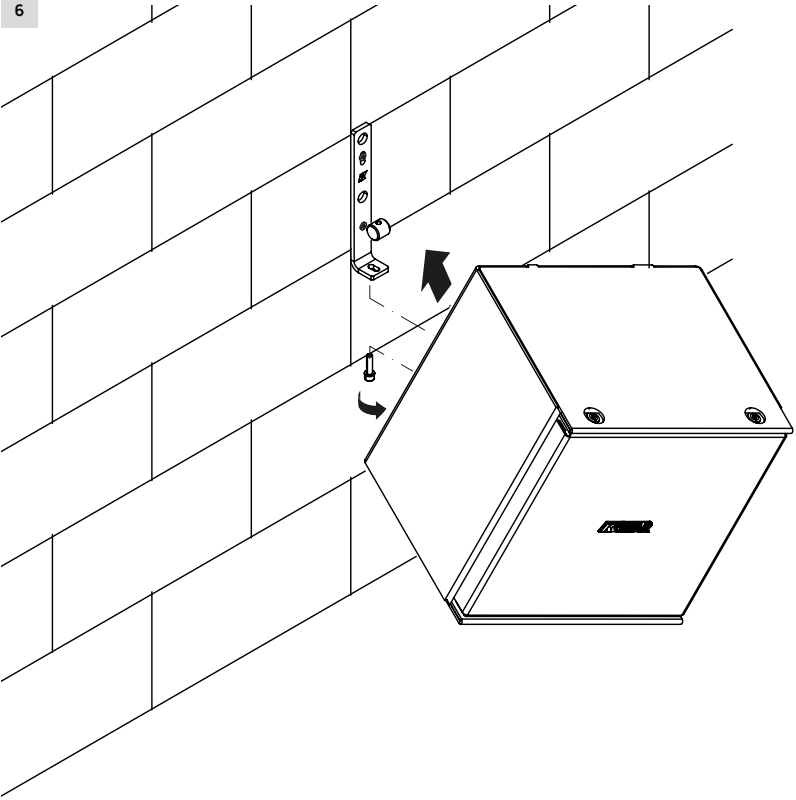


4



5

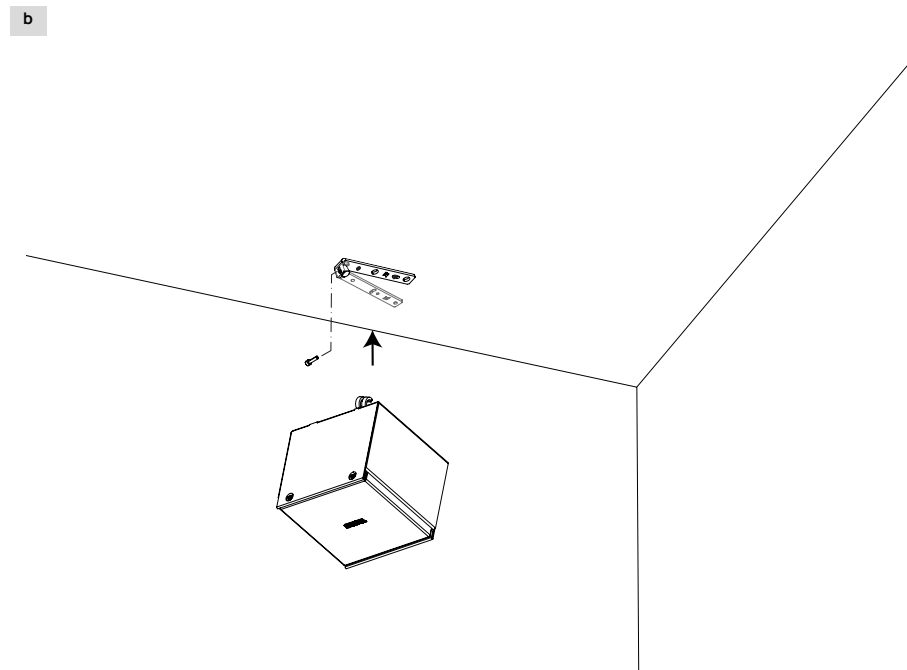
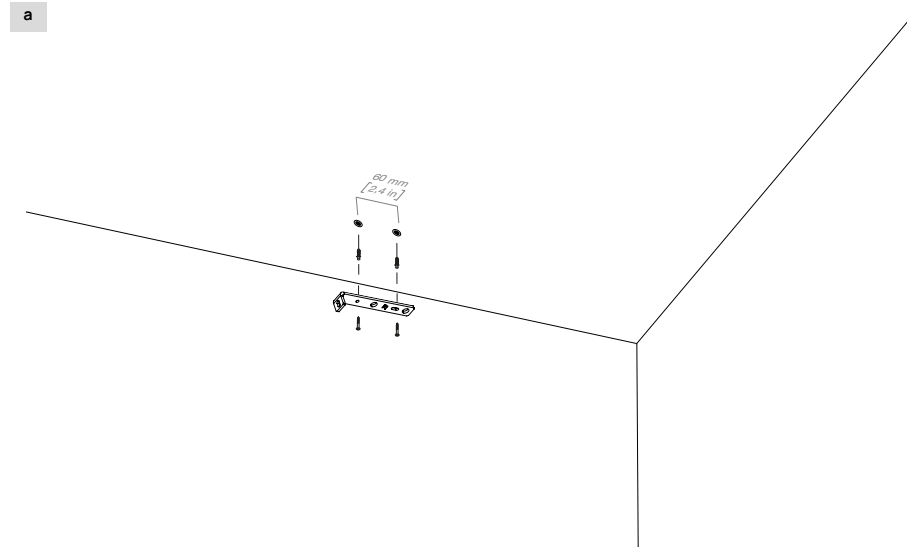




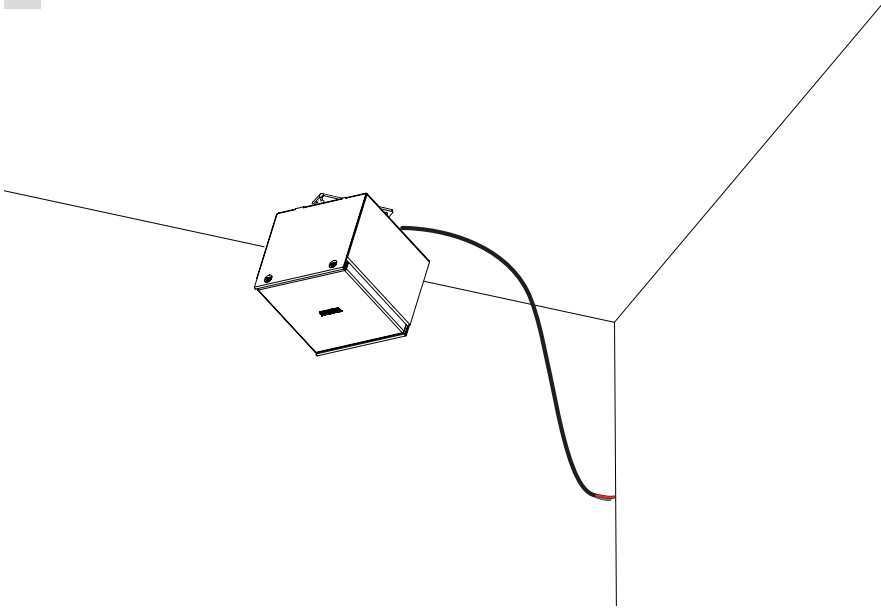
## GH4 + K-WALL2LMINI

### Installation on ceiling

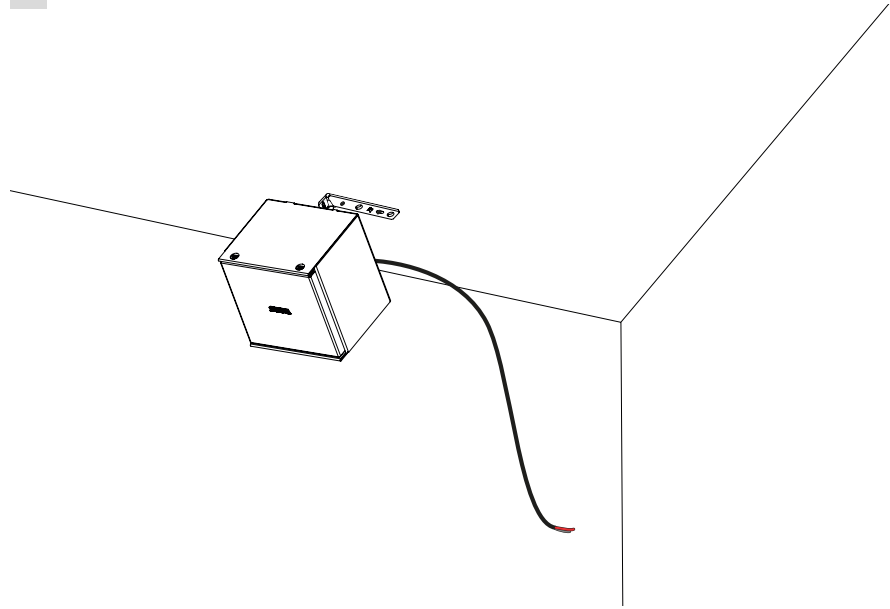
The KWALL2LMINI can also be mounted on the ceiling, with the bracket in its standard position for downward orientation, or angled at 90° to project sound towards areas further from the central listening position.



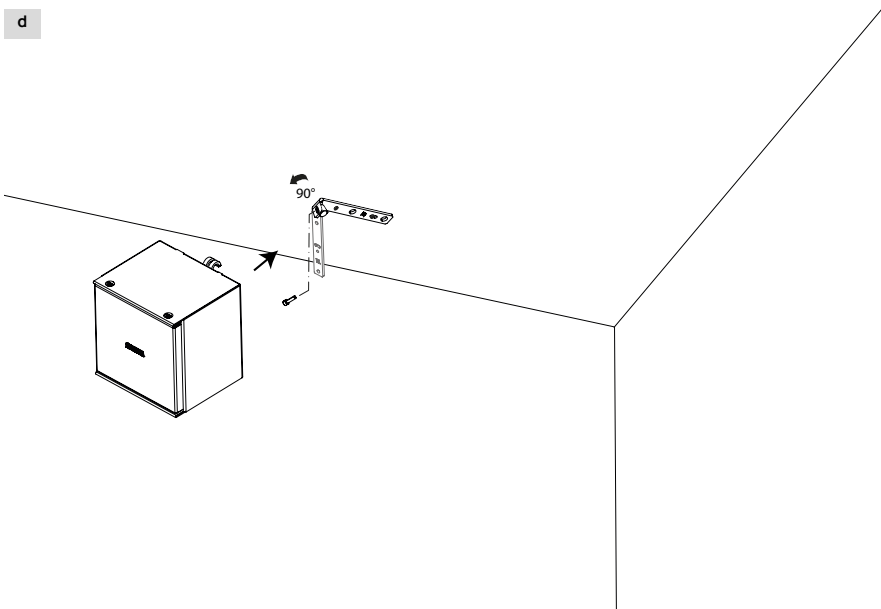
c



e



d



## GH4M - Marine applications

### GH4M and GH4RM – Marine Version (standard and recessed)

The GH4M is also available in a Marine version, specifically treated to resist prolonged exposure to salty environments and ensure long-term durability.



The loudspeaker is supplied with a factory-installed nickel-plated brass cable gland and a pre-installed marine-grade cable with conductors marked as COLD- (black-) and HOT+ (red+).

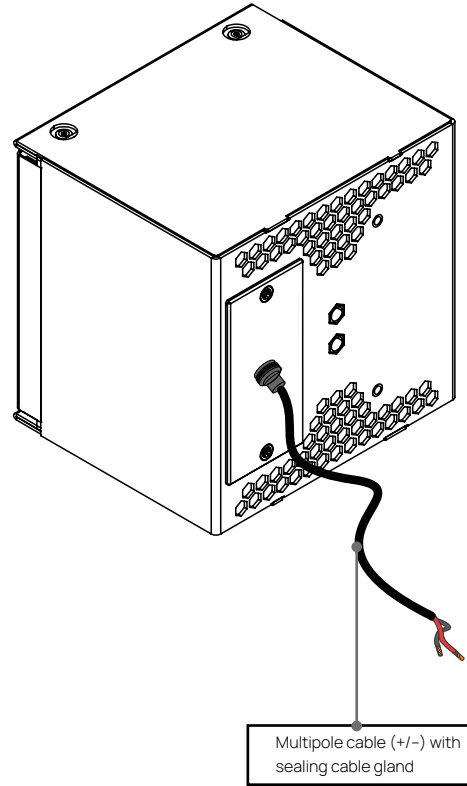
- Connect the loudspeaker by wiring the conductors to the amplifier terminals.

This configuration:


- ensures proper input isolation,
- provides protection against water ingress,
- simplifies wiring in confined spaces.
- Raises IP-rates of the spaker to IP65

Note: Make sure the cable gland remains properly tightened and undamaged to maintain full waterproof protection.

| Wiring - 16 Ω |   |      |   |             |
|---------------|---|------|---|-------------|
| Red           |  | HOT  | + | Amplifier + |
| Black         |  | COLD | - | Amplifier - |



**SIGNAL FROM AMPLIFIER CHANNEL - wiring (COLD)- (HOT)+ to the dedicated amplifier channel and match the 16 Ω impedance value of the speaker.**

  
 Respect polarity when wiring.  
 Connect HOT+ (red +) to the amplifier positive and COLD- (black -) to the negative terminal.

### GH4RM and GH4RTM - Recessed marine version and recessed with trasformer and marine treatments

The GH4RM is the recessed marine version of the GH4 loudspeaker, designed for durability in coastal environments. It features an integrated multipole cable with WAGO connectors for quick and secure wiring.

The GH4RTM features the integrated transformer for constant voltage (70/100 V) systems, ideal for distributed installations in coastal environments.

## GH4RT passive loudspeaker with built-in transformer

The GH4RT recessed model passive loudspeaker incorporates a built-in transformer - this system allows for seamless parallel connection of multiple speakers while maximizing power efficiency.

### Power settings

Users can select from a range of power outputs: 4/8/16/32W @ 70V or 8/16/32/64W @ 100V, enabling precise adjustment of output levels for each connected speaker.

TRANSFORMER'S POWER TAPS

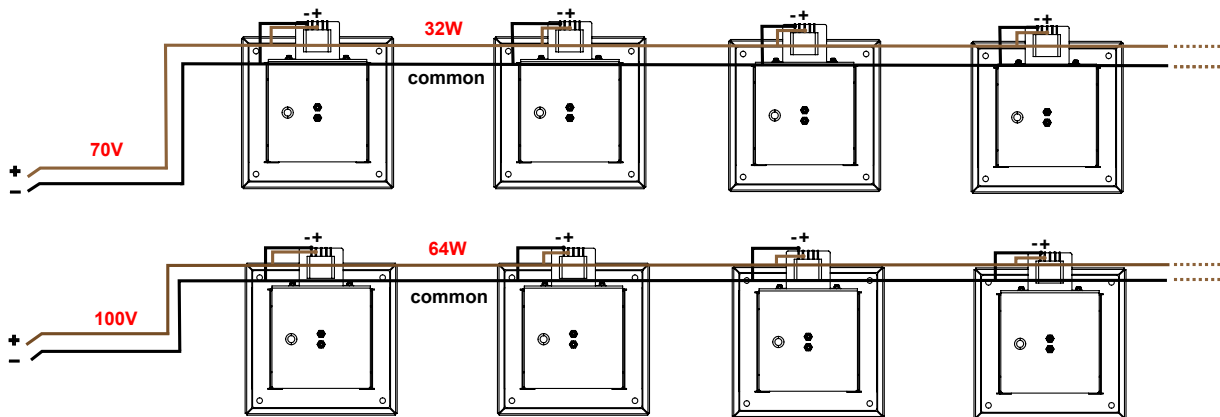
| GH4RT wiring   |  |                 |          |          |
|----------------|--|-----------------|----------|----------|
| Terminal wires |  | Gauge           | 70 V     | 100 V    |
| Black          |  | AWG22<br>0,32mm | COMMON - | COMMON - |
| Brown          |  | AWG22<br>3,32mm | 64 W     | 32 W     |
| Red            |  | AWG22<br>0,32mm | 32 W     | 16 W     |
| Orange         |  | AWG22<br>0,32mm | 16 W     | 8 W      |
| Yellow         |  | AWG22<br>0,32mm | 8 W      | 4 W      |

### Impedance settings

The GH4R dual cone drivers are internally connected at 4 Ω impedance. This low value of impedance allows for efficient power transfer and minimizes signal loss, ensuring compatibility with higher voltage lines at 100V and 70V, thus enabling seamless integration into diverse electrical systems.

### Handling and finishes

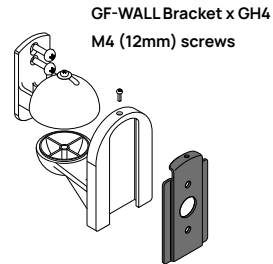
As for GH4R, GH4RT has an external frame to ensure a secure fixation and the grille is magnetized, ensuring effortless removal and replacement when inserting the speaker into the wall. The speaker is fully enclosed to provide optimal protection against external elements, ensuring durability once installed



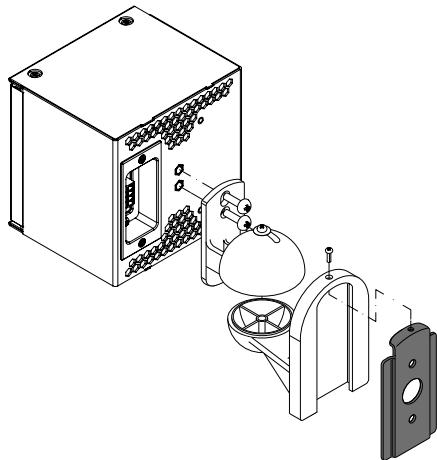
## On-wall installation

Any GH4 element comes included with a dedicated mounting bracket for on-wall installation (GF-WALL), with M4 12mm (0,5 in) screws provided for easy mounting. To install the speaker with the dedicated GF-WALL accessory please follow these easy steps:

1. Be sure to have all the GF-WALL components required for the installation
2. Find the proper position on the wall according to the listening area that needs to be covered



3. Mount the bracket to the rear panel of the speaker using the dedicated M4 screws provided
4. Finally install the speaker to the wall and connect the speaker with the provided Euroblock connector taking care of the impedance settings.

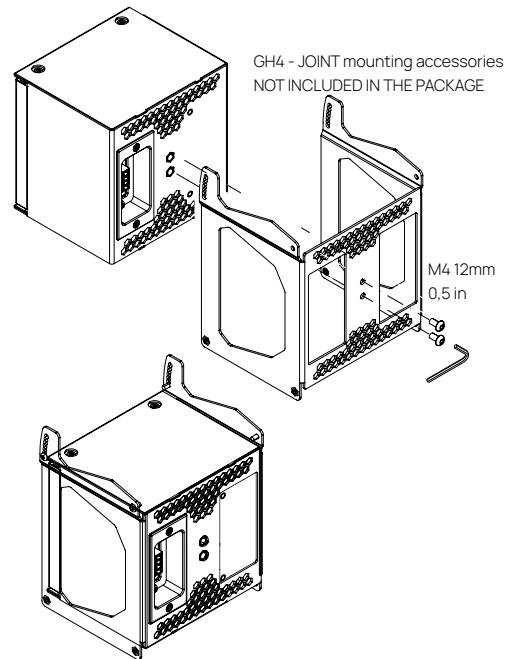


## Rigging / Array Mounting

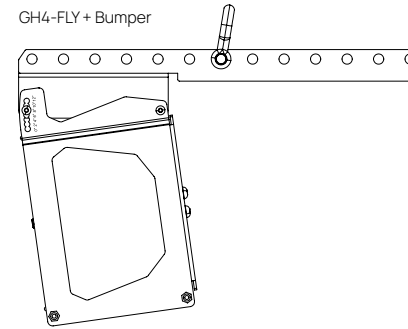
Any GH4 element can be mounted in array configuration with GH4-JOINT & GH4-FLY adjustable wall mount bracket accessories. (To be purchased separately).

1. First, the user can join multiple elements together thanks to the dedicated joining frame with (M4) screws GH-JOINT accessory to be mount to the rear panel of the speakers.
2. Then use the GH4-FLY bar to suspend the array in vertical or fix it to the wall inserting it into GH4-WALL bracket's rail.

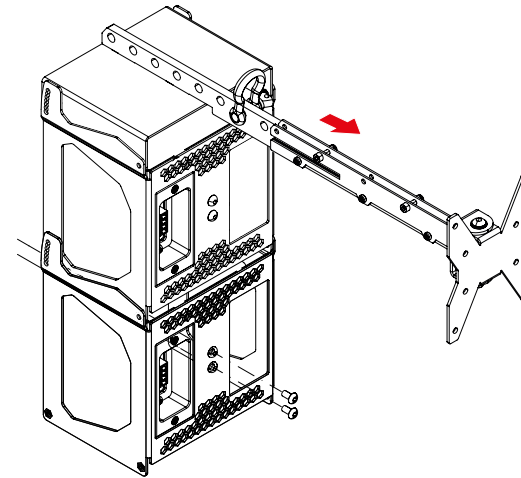
1



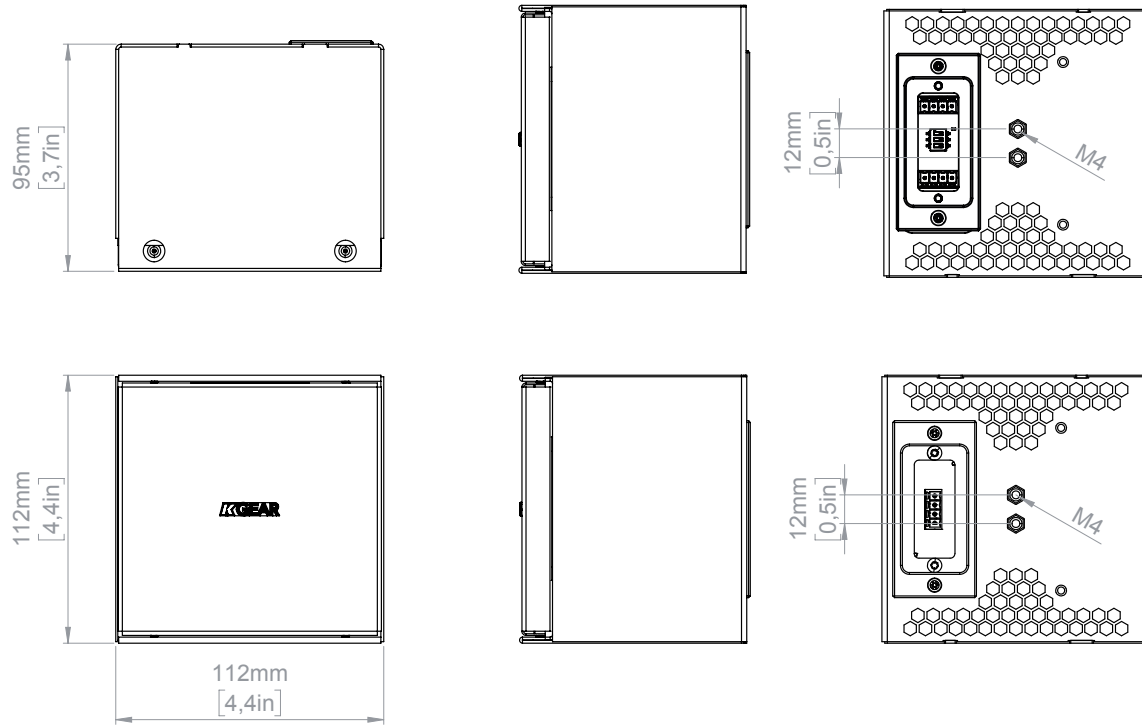
2



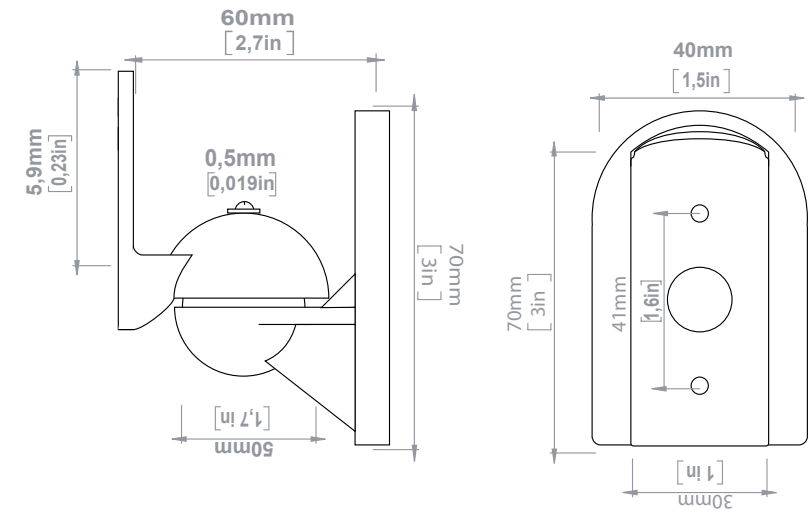
Rigging Hardware -  
GH4-JOINT + GH-FLY



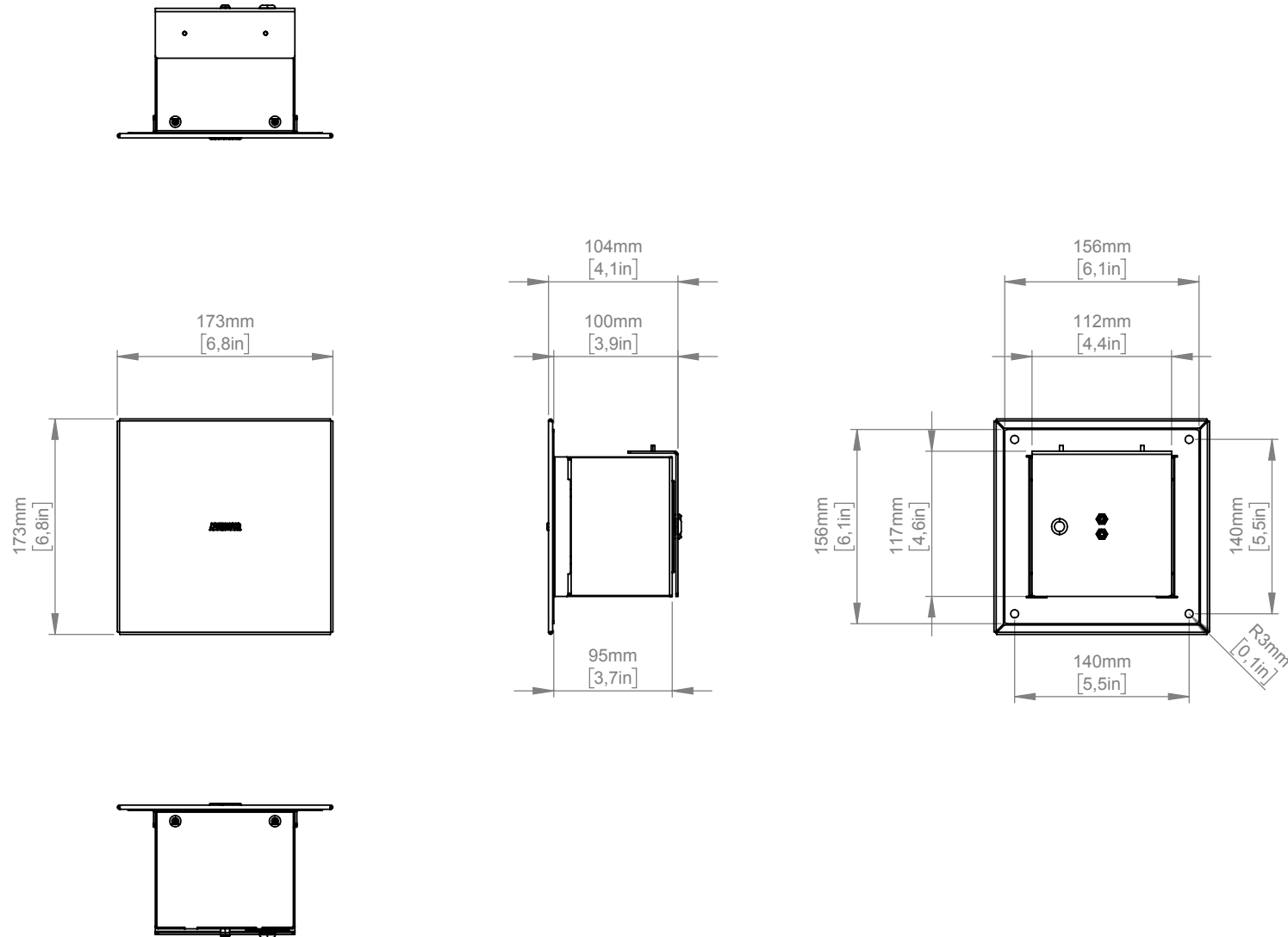
**Mechanical Drawings - GH4 - GH4A**



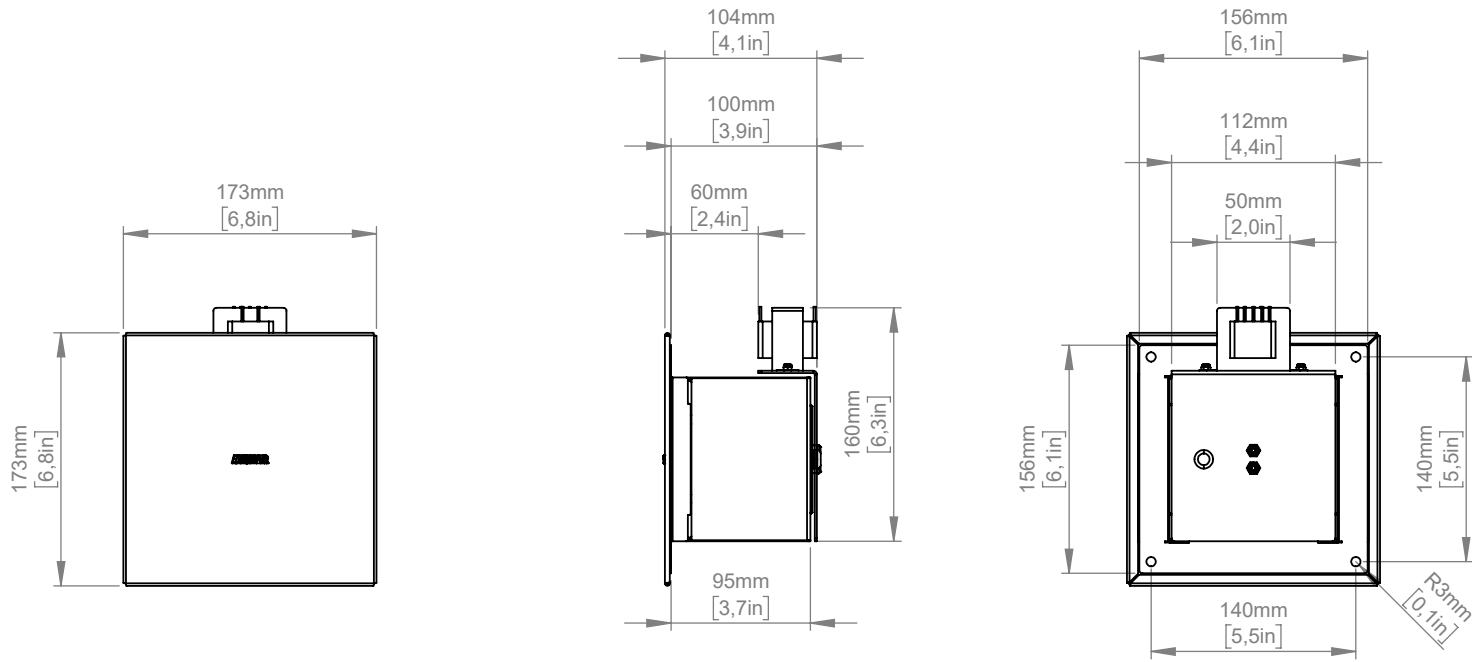
**Mechanical Drawings - GF-WALL**



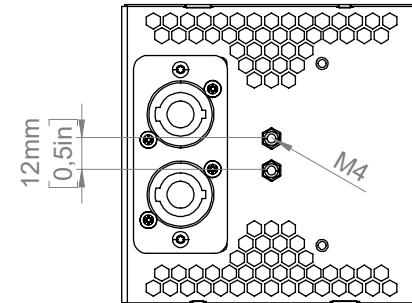
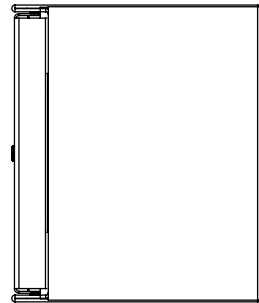
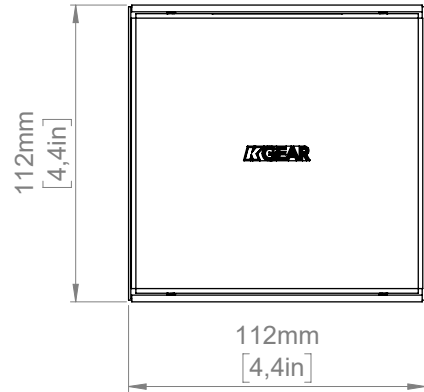
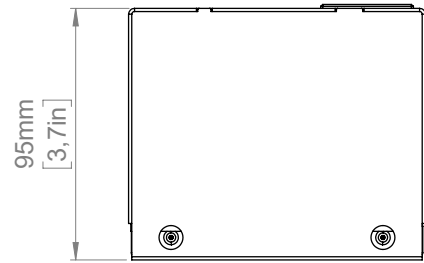
**Mechanical Drawings - GH4R / GH4RM**

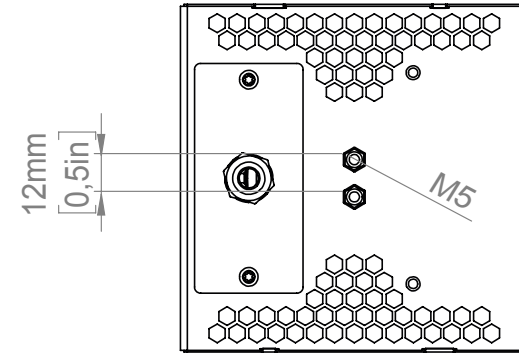
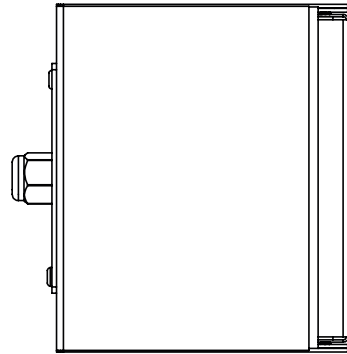
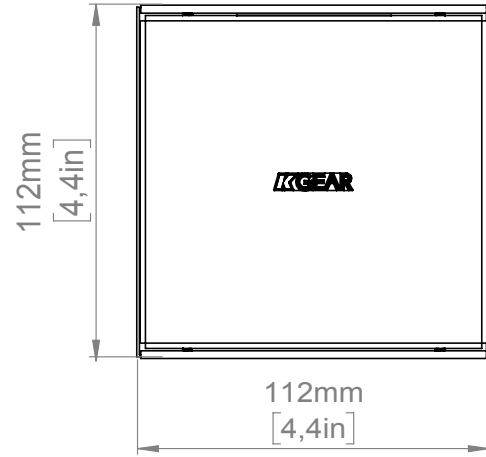


**Mechanical Drawings - GH4RT / GH4RTM**

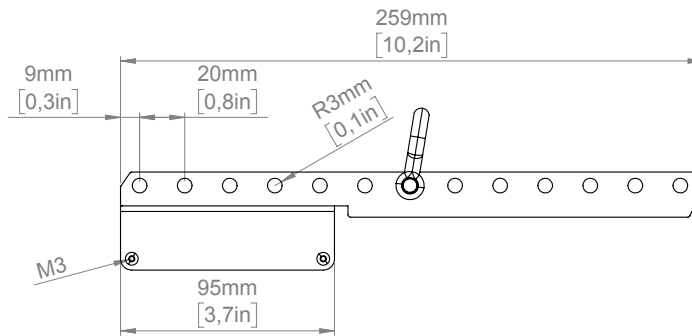
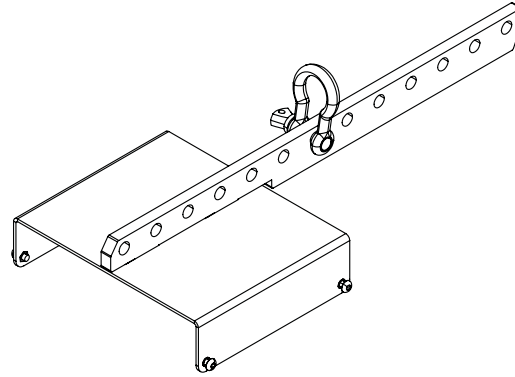
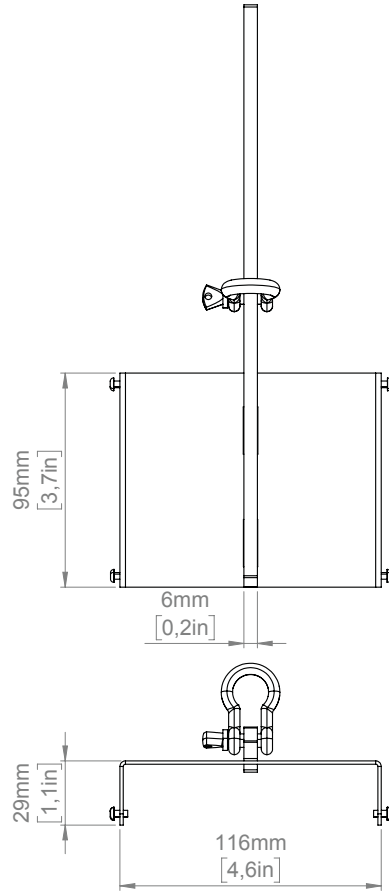


Mechanical Drawings - GH4LIVE

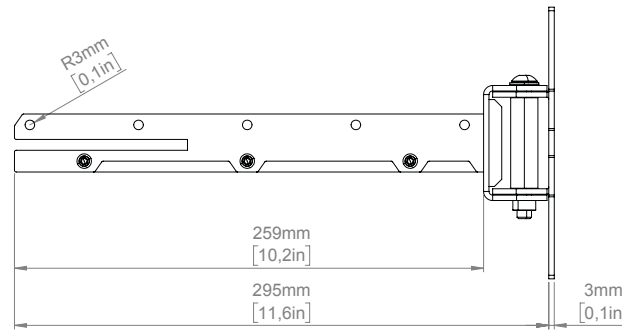
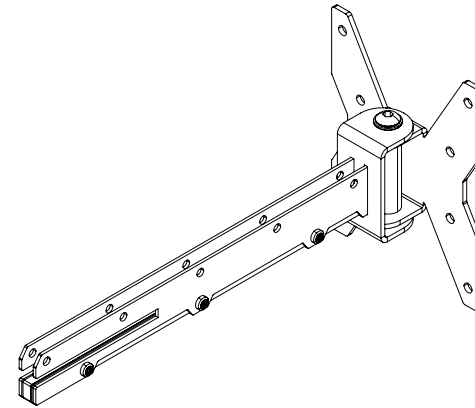
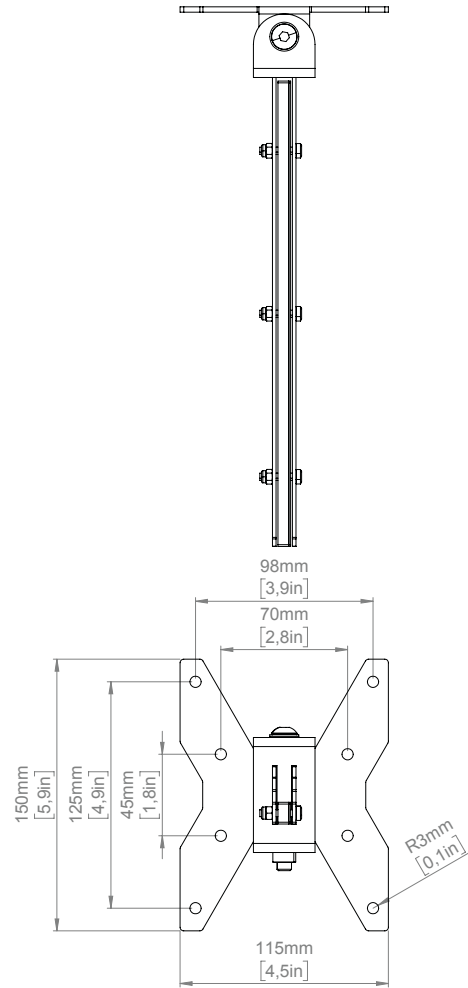




Mechanical Drawings - GH4-FLY

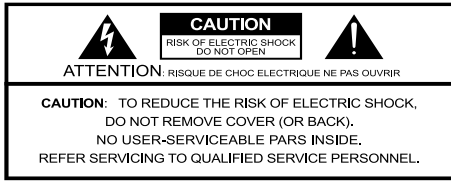


Mechanical Drawings - GH4-WALL



**IMPORTANT SAFETY INSTRUCTIONS**


General heed and warnings





**CAUTION**  
RISK OF ELECTRIC SHOCK  
DO NOT OPEN


**ATTENTION** RISQUE DE CHOC ELECTRIQUE NE PAS OUVRIR


**CAUTION:** TO REDUCE THE RISK OF ELECTRIC SHOCK, DO NOT REMOVE COVER (OR BACK). NO USER-SERVICEABLE PARTS INSIDE. REFER SERVICING TO QUALIFIED SERVICE PERSONNEL.


 This symbol alerts the user to the presence of recommendations about the product's use and maintenance.


 The lighting flash with arrowhead symbol within an equilateral triangle is intended to alert the user to the presence of uninsulated, dangerous voltage within the product enclosure that may be of magnitude to constitute a risk of electrical shock.


 The exclamation point within an equilateral triangle is intended to alert the user to the presence of important operating and maintenance (servicing) instructions in this guide.

 Operator's manual; operating instructions  
This symbol identifies the operator's manual that relates to the operating instructions and indicates that the operating instructions should be considered when operating the device or control close to where the symbol is placed.

 For indoor use only  
This electrical equipment is designed primarily for indoor use.

 WEEE  
Please dispose of this product at the end of its operational lifetime by bringing it to your local collection point or recycling center for such equipment.

 This device complies with Restriction of Hazardous Substances Directive.

 Warning. Failure to follow these safety instructions could result in fire, shock or other injury or damage to the device or other property.

General heed and warnings

- Read these instructions.
- Keep these instructions.
- Heed all warnings.
- Follow all instructions.
- Do not use this apparatus near water.
- Clean only with dry cloth.
- Do not block any ventilation openings. Install in accordance with the manufacturer's instructions.
- Do not install near any heat sources such as radiators, heat registers, stoves, or other apparatus (including amplifiers) that produce heat
- Only use attachments/accessories specified by the manufacturer.
- Clean the product only with a soft and dry fabric. Never use liquid cleaning products, as this may damage the products cosmetic surfaces.
- Use only with the cart, stand, tripod, bracket, or table specified by the manufacturer, or sold with the apparatus. When a cart is used, use caution when moving the cart/apparatus combination to avoid injury from tip-over. 
- Unplug this apparatus during lightning storms or when unused for long periods of time.
- Refer all servicing to qualified service personnel. Servicing is required when the apparatus has been damaged in any way, such as power-supply cord or plug is damaged, liquid has been spilled or objects have fallen into the apparatus, the apparatus has been exposed to rain or moisture, does not operate normally, or has been dropped.

**CAUTION:** These servicing instructions are for use by qualified service personnel only. To reduce the risk of electric shock, do not perform any servicing other than that contained in the operating instructions unless you are qualified to do so.

These apparatus are intended for professional use.

Installation and commissioning may only be carried out by qualified and authorized personnel.

**WARNING:** Only use attachments/accessories specified or provided by the manufacturer (such as the exclusive supply adapter, battery, etc.)  
Use only speaker cables for connecting speakers to the speaker terminals. Be sure to observe the amplifier's rated load impedance particularly when connecting speakers in parallel. Connecting an impedance load outside the amplifier's rated range can damage the apparatus.  
KGEAR will not shoulder any responsibilities for products modified without prior authorization.

**Service**

To obtain service:

1. Please have the serial number(s) of the unit(s) available for reference.
2. Contact the official KGEAR distributor in your country: or KGEAR headquarter at info@kgear.it. Please describe the problem clearly and completely to the Customer Service.
3. You will be contacted back for on-line servicing.
4. If the problem cannot be resolved over the phone, you may be required to send the unit in for service. In this instance, you will be provided with an RA (Return Authorization) number which should be included on all shipping documents and correspondence regarding the repair. Shipping charges are the responsibility of the purchaser.

Any attempt to modify or replace components of the device will invalidate your warranty. Service must be performed by an authorized K-array service center.

**Cleaning**

Use only a soft, dry cloth to clean the housing. Do not use any solvents, chemicals, or cleaning solutions containing alcohol, ammonia, or abrasives. Do not use any sprays near the product or allow liquids to spill into any openings.

## GH4

| Technical specifications   |
|--|
| Type<br><b>Passive loudspeaker</b>                               |
| Transducer<br><b>4" neodymium magnet full range driver</b>       |
| Frequency Response <sup>1</sup><br><b>150 Hz - 20 kHz (-6dB)</b> |
| Max SPL <sup>2</sup><br><b>122 dB (peak)</b>                     |
| Power Handling<br><b>140 W</b>                                   |
| Coverage<br><b>V.90   H.90°</b>                                  |
| Connectors<br><b>1x Phoenix connector (4-pin Euroblock)</b>      |
| Nominal Impedance<br><b>4Ω - 16Ω selectable</b>                  |
| IP Rating<br><b>IP64</b>   |

## Handling & Finishes

|  |
|--|
| Dimensions (WxLxH)<br><b>112x 112x 95mm (4.4x 4.4x 3.74in)</b> |
| Weight<br><b>1,2 kg (2.87 lb)</b>                              |
| Material<br><b>Stainless Steel</b>                             |
| Color<br><b>Black</b>  |

<sup>1</sup> With dedicated preset

<sup>2</sup> Maximum SPL is calculated using a signal with crest factor 4 (12 dB) measured at 8 m then scaled at 1 m

## GH4A

| Technical specifications  |
|---|
| Type<br><b>Active loudspeaker</b>   |
| Transducer<br><b>4" neodymium magnet full-range driver</b>  |
| Frequency Response <sup>1</sup><br><b>150 Hz - 20 kHz (-6dB)</b>  |
| Max SPL <sup>2</sup><br><b>116 dB (peak)</b>  |
| Coverage<br><b>V.90   H.90°</b>   |
| Nominal Impedance<br><b>4 Ω</b>   |
| Connectors<br><b>2x Phoenix connector (4-pin euroblock)</b><br><b>Balanced line in</b><br><b>Mute Contact</b><br><b>Power out</b><br><b>24V DC IN (power supply not included)</b> |
| Controllers<br><b>Auto ON/OFF with selectable threshold</b>   |
| Amp Module<br><b>1-channel Class D amplifier</b>  |
| Output Power<br><b>100W @ 2 Ω (24V power)</b>   |
| Power Consumption<br><b>30W Power Load 1/8 Max Power</b>  |
| Protections<br><b>Thermal Protections</b><br><b>(Power-Limiting - Thermal Shutdown)</b><br><b>Short - circuit/overload output protections</b>                                     |
| Operating Range<br><b>12-24 V DC</b>  |
| IP Rating<br><b>IP64</b>  |

## GH4A

| Handling & Finishes  |
|--|
| Dimensions (WxLxH)<br><b>112 x 112 x 94 mm (4.4 x 4.4 x 3.70 in)</b> |
| Weight<br><b>1,2 kg (2.87 lb)</b>                                    |
| Material<br><b>Stainless Steel</b>                                   |
| Color<br><b>Black</b>  |

<sup>1</sup> With dedicated preset

<sup>2</sup> Maximum SPL is calculated using a signal with crest factor 4 (12 dB) measured at 8 m then scaled at 1 m

## GH4R - GH4RM

| Technical specifications  |
|---|
| Type<br>Passive loudspeaker for recessed in-wall mount  |
| Transducer<br>4" neodymium magnet full-range dual cone transducer                                     |
| Frequency Response <sup>1</sup><br>150 Hz - 20 kHz (-6dB)   |
| Max SPL <sup>2</sup><br>122 dB (peak)   |
| Power Handling<br>140 W   |
| Coverage<br>V.90   H.90°  |
| Connectors<br>2-wires cable (red+ black-) AWG 3,3mm   |
| Connectors - GH4RM<br>2-wires cable (red+ black-) AWG 3,3mm   |
| Nominal Impedance<br>16Ω  |
| IP Rating<br>IP64   |
| IP Rating - GH4RM<br>IP65   |
| Handling & Finishes   |
| Dimensions (WxHxD)<br>173 x 173 x 104 mm (6.8x 6.8 x 5.5 in) - 173 x 173 x 95mm (without frame depth) |
| Weight<br>1,2 kg (2.65 lb)  |
| Material<br>Stainless Steel   |
| Color<br>Black  |

<sup>1</sup> With dedicated preset

<sup>2</sup> Maximum SPL is calculated using a signal with crest factor 4 (12 dB) measured at 8 m then scaled at 1 m

## GH4RT - GH4RTM

| Technical specifications  |
|---|
| Type<br>Passive loudspeaker with built-in transformer for recessed in-wall mount                      |
| Transducer<br>4" neodymium magnet full-range dual cone transducer                                     |
| Frequency Response <sup>1</sup><br>150 Hz - 20 kHz (-6dB)   |
| Max SPL <sup>2</sup><br>122 dB (peak)   |
| Transformer power taps<br>64/32/16/8 W @100V - 32/16/8/4 W 70V  |
| Coverage<br>V.90   H.90°  |
| Connectors - Connectors GH4RTM<br>5x terminal wires (black - brown - red - orange - yellow) AWG 3,3mm |
| IP Rating<br>IP64   |
| IP Rating - GH4RTM<br>IP65  |
| Handling & Finishes   |
| Dimensions (WxHxD)<br>173 x 173 x 104 mm (6.8x 6.8 x 5.5 in) - 173 x 173 x 95mm (without frame depth) |
| Weight<br>1,7 kg (3,7 lb)   |
| Material<br>Stainless Steel   |
| Color<br>Black  |

<sup>1</sup> With dedicated preset

<sup>2</sup> Maximum SPL is calculated using a signal with crest factor 4 (12 dB) measured at 8 m then scaled at 1 m

## GH4LIVE

| Technical specifications  |
|---|
| Type<br><b>Passive loudspeaker</b>                                |
| Transducer<br><b>4" neodymium magnet full range driver</b>        |
| Frequency Response <sup>1</sup><br><b>150 Hz - 20 kHz (-6dB)</b>  |
| Max SPL <sup>2</sup><br><b>122 dB (peak)</b>                      |
| Power Handling<br><b>140 W</b>                                    |
| Coverage<br><b>V.90   H.90°</b>                                   |
| Connectors<br><b>2x SpeakON NL4 1+ 1- (signal) 2+ 2- (trough)</b> |
| Nominal Impedance<br><b>16 Ω</b>                                  |
| IP Rating<br><b>IP64</b>  |

| Handling & Finishes  |
|--|
| Dimensions (WxHxD)<br><b>112x 112x 95mm (4.4x 4.4x 3.7 in)</b> |
| Weight<br><b>1,2 kg (2.87 lb)</b>                              |
| Material<br><b>Stainless Steel</b>                             |
| Color<br><b>Black</b>  |

<sup>1</sup> With dedicated preset

<sup>2</sup> Maximum SPL is calculated using a signal with crest factor 4 (12 dB) measured at 8 m then scaled at 1 m

## GH4M

| Technical specifications   |
|--|
| Type<br><b>Passive loudspeaker with marine treatments</b>          |
| Transducer<br><b>4" neodymium magnet full range driver</b>         |
| Frequency Response <sup>1</sup><br><b>150 Hz - 20 kHz (-6dB)</b>   |
| Max SPL <sup>2</sup><br><b>122 dB (peak)</b>                       |
| Power Handling<br><b>140 W</b>                                     |
| Coverage<br><b>V.90   H.90°</b>                                    |
| Connector<br><b>Multipole (+/-) cable with sealing cable gland</b> |
| Nominal Impedance<br><b>16 Ω</b>                                   |
| IP Rating<br><b>IP65</b>   |

| Handling & Finishes  |
|--|
| Dimensions (WxHxD)<br><b>112x 112x 95mm (4.4x 4.4x 3.7 in)</b> |
| Weight<br><b>1,2 kg (2.87 lb)</b>                              |
| Material<br><b>Stainless Steel</b>                             |
| Color<br><b>Black</b>  |

<sup>1</sup> With dedicated preset

<sup>2</sup> Maximum SPL is calculated using a signal with crest factor 4 (12 dB) measured at 8 m then scaled at 1 m

USER GUIDE



K-array Srl - Via Paolina Romagnoli 17 - 50038  
Scarperia e San Piero, Firenze - Italy  
P.IVA/VAT/CF  
06206990480  
Phone: +39 055- 8487222  
Email: info@karray.com

## GH4 - GH4A

## GH4LIVE

## GH4R - GH4RM - GH4RTM

## GH4M - Marine

Grazie per aver scelto KGEAR!

Per garantire il corretto funzionamento, ti invitiamo a leggere attentamente il manuale d'uso e le istruzioni di sicurezza prima di utilizzare il prodotto.

Dopo la lettura, conserva questo manuale per eventuali consultazioni future.

Per qualsiasi domanda sul tuo nuovo dispositivo, contatta il servizio clienti K-array all'indirizzo support@k-array.com

oppure rivolgiti al distributore ufficiale K-array del tuo paese.

La famiglia GH4 di diffusori full-range in acciaio inox combina compattezza, resistenza e alte prestazioni grazie ai driver dual-cone da 4", garantendo un audio di qualità in diverse configurazioni. Il GH4 è un diffusore passivo compatto con trasduttore full-range da 4", magnete al neodimio a doppia bobina e impedenza variabile (4 Ω - 16 Ω), ideale per installazioni in ambienti hospitality, trasporti, broadcast, teatri e residenziali. Il modello GH4R, completamente sigillato e da incasso (disponibile anche con trattamenti marini), e la versione GH4RT, dotata di trasformatore integrato per linee a 100 V e 70 V, offrono griglie magnetiche removibili per un'installazione rapida. La versione GH4A integra un amplificatore interno con ingresso bilanciato, contatto mute e funzione auto ON/OFF, in grado di pilotare altri diffusori o subwoofer passivi KGEAR. Il GH4LIVE include due connettori SpeakON, ideali per applicazioni live, uno dei quali con uscita LINK OUT per collegare più diffusori in serie, supportando un carico di 16 ohm.

Diffusore full-range ad alte prestazioni da 4" - passivo o attivo

Diffusore full-range ad alte prestazioni da 4" con connettori SpeakON

Diffusore full-range ad alte prestazioni da 4" a incasso - con trasformatore integrato

Diffusore full-range ad alte prestazioni da 4" - passivo 16 Ω - con trattamenti marini



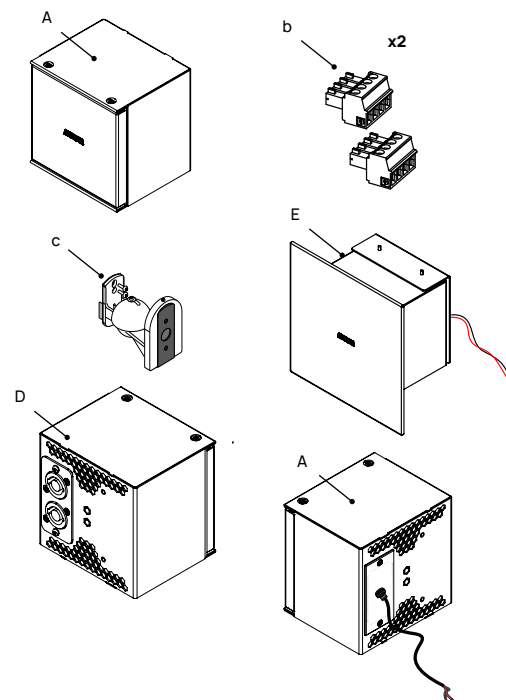
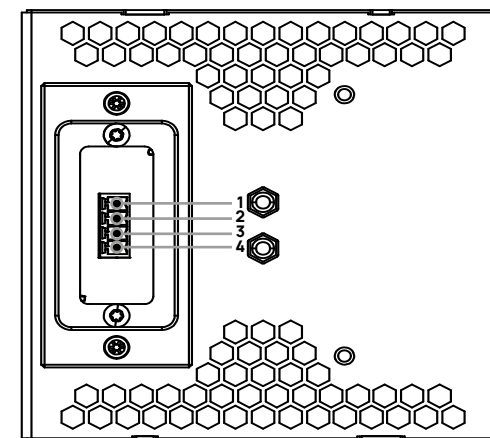
## Contenuto dell'imballo

Ogni dispositivo KGEAR viene accuratamente ispezionato prima di lasciare lo stabilimento. Al momento della consegna, controlla con attenzione l'imballo, quindi esamina e testa il nuovo prodotto. In caso di danni, contatta immediatamente il corriere. Verifica che il prodotto sia fornito con le seguenti parti:

- A. 1 x GH4 - (GH4A) - (GH4M) elemento mini array
- B. 1 x connettore Phoenix (GH4) - 2 x connettori Phoenix (GH4A) (4 pin - Euroblock 1,5/4-ST-3,81) con cavi jumper dedicati per la selezione dell'impedenza.
- C. 1 x staffa da parete GF-WALL x GH4 con viti e tasselli
- D. 1 x GH4R - (1 x GH4RT) - (GH4RM)
- E. 1 x GH4LIVE

## GH4 passive loudspeaker

Il diffusore passivo GH4 è dotato di 1 connettore Phoenix a 4 pin - Euroblock 1,5/4-ST-3,81.

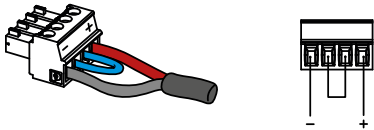


## Cablaggio

### Selezione di Impedenza

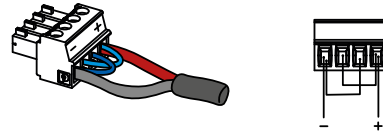
Per offrire la massima flessibilità nella configurazione dell'impedenza, il GH4 consente di collegare le due bobine mobili in configurazione parallelo o serie. Il collegamento in parallelo fornisce un'impedenza totale di 4 Ω, mentre il collegamento in serie produce un'impedenza totale di 16 Ω. Il valore di impedenza selezionato può influenzare le prestazioni del diffusore e la compatibilità con il sistema audio. Per impostare l'impedenza desiderata, utilizzare il cavo jumper dedicato:

16Ω High-Z



| 16 Ω  |   |
|-------|---|
| PIN 1 | <span style="color:red">●</span> SIGNAL + (1+)    |
| PIN 2 | <span style="color:blue">●</span> bridged (1- 2+) |
| PIN 3 |   |
| PIN 4 | <span style="color:blue">●</span> SIGNAL - (2-)   |

4Ω Low-Z



| 4 Ω   |   |
|-------|---|
| PIN 1 | <span style="color:red">●</span> SIGNAL + parallel(+ 1) |
| PIN 2 | <span style="color:blue">●</span> SIGNAL - parallel(1-) |
| PIN 3 | <span style="color:red">●</span> SIGNAL + parallel(2+)  |
| PIN 4 | <span style="color:blue">●</span> SIGNAL - parallel(2-) |

### Abbinamento dei canali dell'amplificatore

Dopo aver impostato correttamente il valore di impedenza per il tuo sistema audio, assicurati di collegarlo a un amplificatore KGEAR o K-array adeguato.

Per il collegamento in parallelo di più unità, consulta la tabella fornita al seguente link: Tabella di abbinamento amplificatori KGEAR e diffusori KGEAR.

Ricorda che il collegamento in parallelo riduce l'impedenza totale del carico.



KGEAR-to-KGEAR



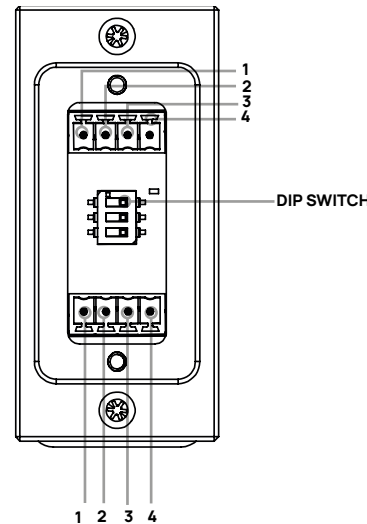
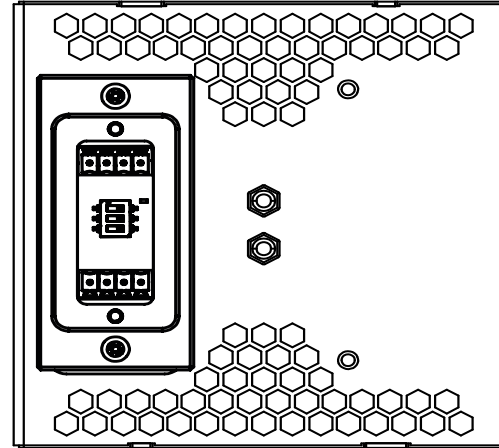
K-array-to-KGEAR



Verifica sempre l'impedenza del diffusore prima di collegare l'amplificatore.

## GH4A attiva

Polarità del segnale, ingresso di linea bilanciato (MONO), contatto di mute, uscita di potenza e selettore ON/OFF del GH4A.



Il GH4A è dotato di 2 connettori Phoenix (4 pin - Euroblock 1,5/4-ST-3,81) con le seguenti funzioni:

- **INGRESSI:**
  - 1 x ingresso di linea bilanciato (mono)
  - Ingresso di alimentazione DC (DC+, DC-)
  - 1 x contatto di mute (normalmente aperto) - ulteriori informazioni sul cablaggio e sulle connessioni del mute sono disponibili nella sezione dedicata al pannello posteriore del GH4A nelle pagine successive.
- **USCITE:**
  - 1 x uscita di potenza per collegare un altro diffusore KGEAR o un subwoofer passivo alimentato dal modulo amplificatore interno (carico minimo 4 Ω).
- **CONTROLLI:**
  - 1 x interruttore auto ON/OFF con soglie selezionabili. Il dip switch controlla la modalità di standby automatico del diffusore e può essere impostato su 3 diverse soglie - vedi la sezione Modalità Dip switch.

| GH4A - Wiring |               |                                    |              |                                     |
|---------------|---------------|------------------------------------|--------------|-------------------------------------|
|               | Connector 1   |                                    | Connector 2  |                                     |
| PIN 1         | POWER OUT -   | <span style="color:blue">●</span>  | GND          | <span style="color:black">●</span>  |
| PIN 2         | POWER OUT +   | <span style="color:red">●</span>   | LINE -       | <span style="color:blue">●</span>   |
| PIN 3         | - DC POWER IN | <span style="color:black">●</span> | LINE +       | <span style="color:red">●</span>    |
| PIN 4         | + DC POWER IN | <span style="color:green">●</span> | MUTE CONTACT | <span style="color:yellow">●</span> |

È possibile utilizzare l'alimentatore accessorio G-AL120 per fornire alimentazione al modulo amplificatore interno.

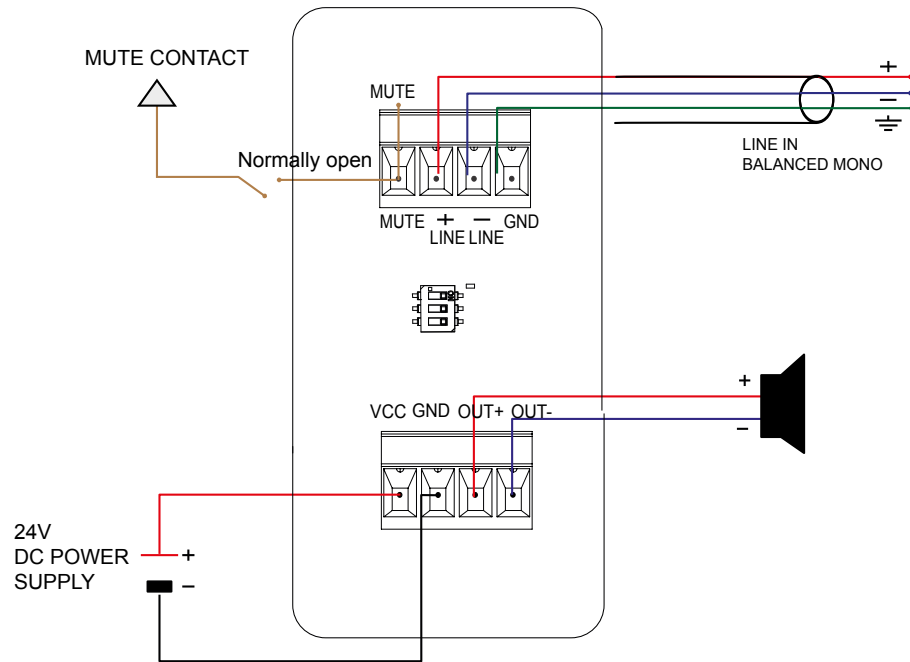
Questo accessorio è in grado di pilotare fino a 1 modulo amplificatore GH4A e 1 diffusore GH4 collegato con la selezione d'impedenza LOW-Z → 4 Ω.

Con un carico minimo di 4 Ω, il modulo amplificatore è in grado di erogare una potenza di 100 W con un assorbimento massimo di 6,5 A (Irms).

## Pannello posteriore GH4A

È possibile collegare un interruttore esterno all'ingresso del contatto Mute per chiudere il circuito e disattivare il diffusore.

Per tutte le altre connessioni – uscita di potenza e ingresso bilanciato, fare riferimento allo schema riportato di seguito.



## Modalità DIP Switch

Nella tabella seguente sono riportate le tre modalità operative con i rispettivi valori di soglia del segnale di ingresso, utili per la configurazione dell'interruttore ON/OFF.

| ON/OFF SWITCH MODES                |  |                   |  |
|------------------------------------|--|-------------------|--|
| MODES                              |  | Thresholds Values | Description  |
| NO THRESHOLDS                      |  | /                 |  |
| HIGH THRESHOLDS<br>LOW + MID + HGH |  | -42 dBu           | L'amplificatore si accende solo quando il segnale supera la soglia impostata. Utile per evitare l'ingresso di rumore nel circuito.                   |
| MEDIUM<br>LOW+MID ON               |  | -46 dBu           | Richiede un segnale stabile che superi la soglia minima per un periodo prolungato, per mantenere l'altoparlante acceso.                              |
| LOW THRESHOLDS<br>LOW ON           |  | -52 dBu           | L'amplificatore si accende immediatamente quando il segnale supera la soglia minima. Questa modalità è utile quando è richiesta una risposta rapida. |

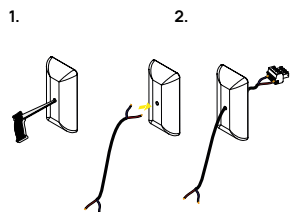
## Montaggio dell'accessorio G-IPCAP1 e collegamento del diffusore

GH4 e GH4A possono essere protetti da agenti esterni e dall'acqua utilizzando l'accessorio G-IPCAP1.

Si tratta di un cappuccio di tenuta IP dedicato, realizzato in gomma altamente resistente e impermeabile, progettato per essere installato sul pannello posteriore del diffusore e proteggere i connettori dall'acqua.

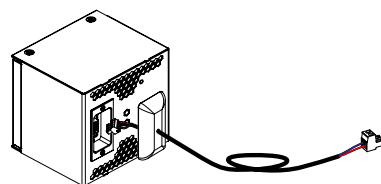
Per installare la GH4 con l'apposito accessorio, segui la procedura illustrata di seguito:

1. Prendi l'apposito accessorio G-IPCAP1 e pratica un foro nel materiale in gomma con un punteruolo.
2. Scegli un cavo con guaina per un isolamento maggiore e fallo passare attraverso il foro.



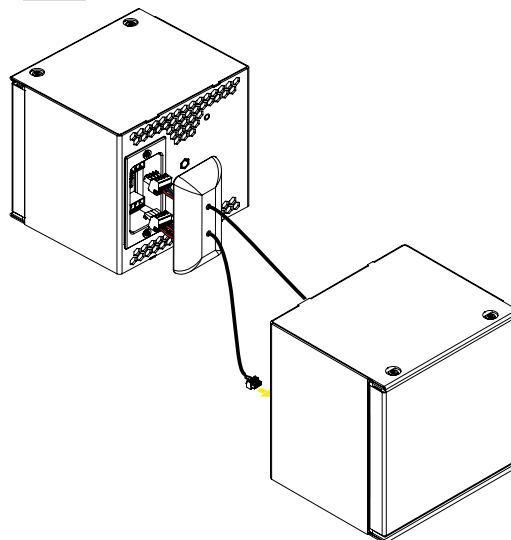
3. Collega i cavi ai pin 1 - 4 del connettore Euroblock fornito e inseriscilo nei terminali del diffusore.
4. Utilizza i cavallotti per la configurazione di impedenza desiderata.

GH4

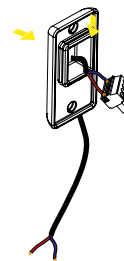


5. I collegamenti della GH4A sono mostrati nell'immagine sottostante. Per l'ingresso esterno, collega i cavi a LINE+, LINE- e GND (ingresso linea bilanciato - mono) come illustrato nello schema della pagina precedente, e a DC- e DC+ per l'alimentazione esterna. Preleva l'alimentazione da OUT+ e OUT- per collegare e pilotare un altro

GH4A

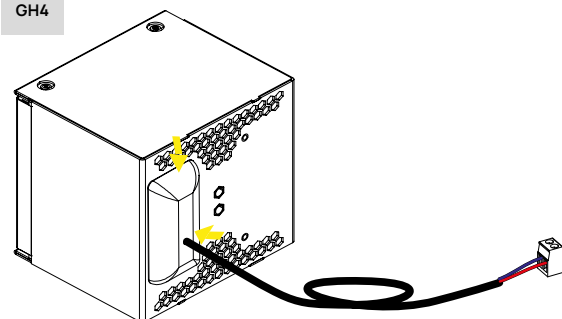


diffusore. Assicurati di ottenere un fissaggio sicuro premendo saldamente la guarnizione dell'accessorio per chiudere correttamente il vano dei connettori.



6. Collega il diffusore passivo GH4 al canale amplificatore dedicato.
7. Dopo aver collegato il diffusore passivo GH4 al canale dedicato dell'amplificatore, verifica che l'accessorio G-IPCAP1 sigilli correttamente il vano dei connettori.

GH4



## GH4LIVE Pannello Posteriore

Il GH4LIVE è completamente equipaggiato per applicazioni di intrattenimento dal vivo.

Come il modello GH4, integra un altoparlante full-range da 4" con doppio cono, per una risposta in frequenza estesa.

Il pannello posteriore del diffusore ospita due connettori SpeakON NL4.

Le bobine interne sono collegate ai pin 1+ e 1- del connettore SpeakON A, posizionato nella parte inferiore del pannello, utilizzato come ingresso (INPUT) per ricevere il segnale dall'amplificatore o da un subwoofer attivo.

| SpeakON |   | GH4LIVE |                    |
|---------|---|---------|--------------------|
| <br>A   | 1 | 1+ 1-   | SIGNAL / IN        |
|         |   | 2+ 2-   | THROUGH / LINK OUT |
| <br>B   | 2 | 1+ 1-   | SIGNAL / IN        |
|         |   | 2+ 2-   | THROUGH / LINK OUT |

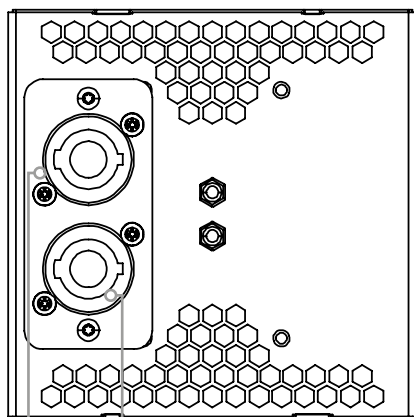
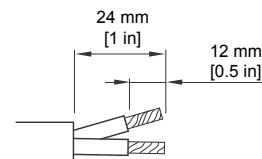
### Impedenza

I driver a doppio cono del GH4LIVE sono collegati con un'impedenza di 16 Ω.

Il numero di diffusori GH4LIVE che possono essere collegati in parallelo allo stesso canale dell'amplificatore dipende dal modello e dalla potenza dell'amplificatore, dall'impedenza dei diffusori e dalla potenza erogata. Il collegamento in parallelo riduce l'impedenza totale del carico.

Utilizzando l'amplificatore KGEAR GA43 (4× 750 W @ 4 Ω) è possibile collegare fino a 4 diffusori GH4LIVE in parallelo sullo stesso canale dell'amplificatore, ottenendo così la massima potenza e una configurazione ottimale.

1+1- / 2+ 2-  
IN / LINK OUT through



1+1-  
IN / LINK OUT

2+ 2-  
LINK OUT



KGEAR-to-KGEAR



K-array-to-KGEAR

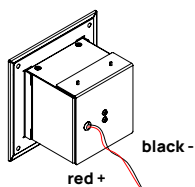
## GH4R installazione da incasso

Il modello GH4R da incasso condivide le stesse caratteristiche acustiche del GH4 e presenta una cornice esterna con fori che ne facilitano e velocizzano l'installazione a parete o a soffitto.

La griglia magnetica consente una rimozione e un riposizionamento semplici e rapidi durante l'inserimento del diffusore nella parete.

Il diffusore è completamente sigillato, offrendo una protezione ottimale contro gli agenti esterni e garantendo la massima durabilità una volta installato. Inoltre, per maggiore praticità, il pannello posteriore è dotato di un passacavo integrato e dispone già di due fili di collegamento, rosso e nero (+/-), per un facile collegamento al sistema di amplificazione.

GH4R



### Impedenza

I diffusori a doppio cono GH4R sono collegati internamente con un'impedenza di 16 Ω.

Assicurati di rispettare questo valore di impedenza nella scelta dell'amplificatore necessario per il pilotaggio del diffusore e nel collegamento di più unità in parallelo per installazioni distribuite.



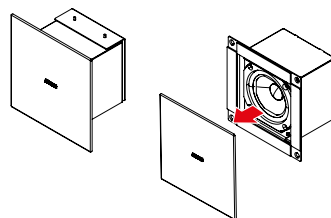
Verifica sempre l'impedenza del diffusore prima di collegarlo all'amplificatore.

## Installazione ad incasso a parete

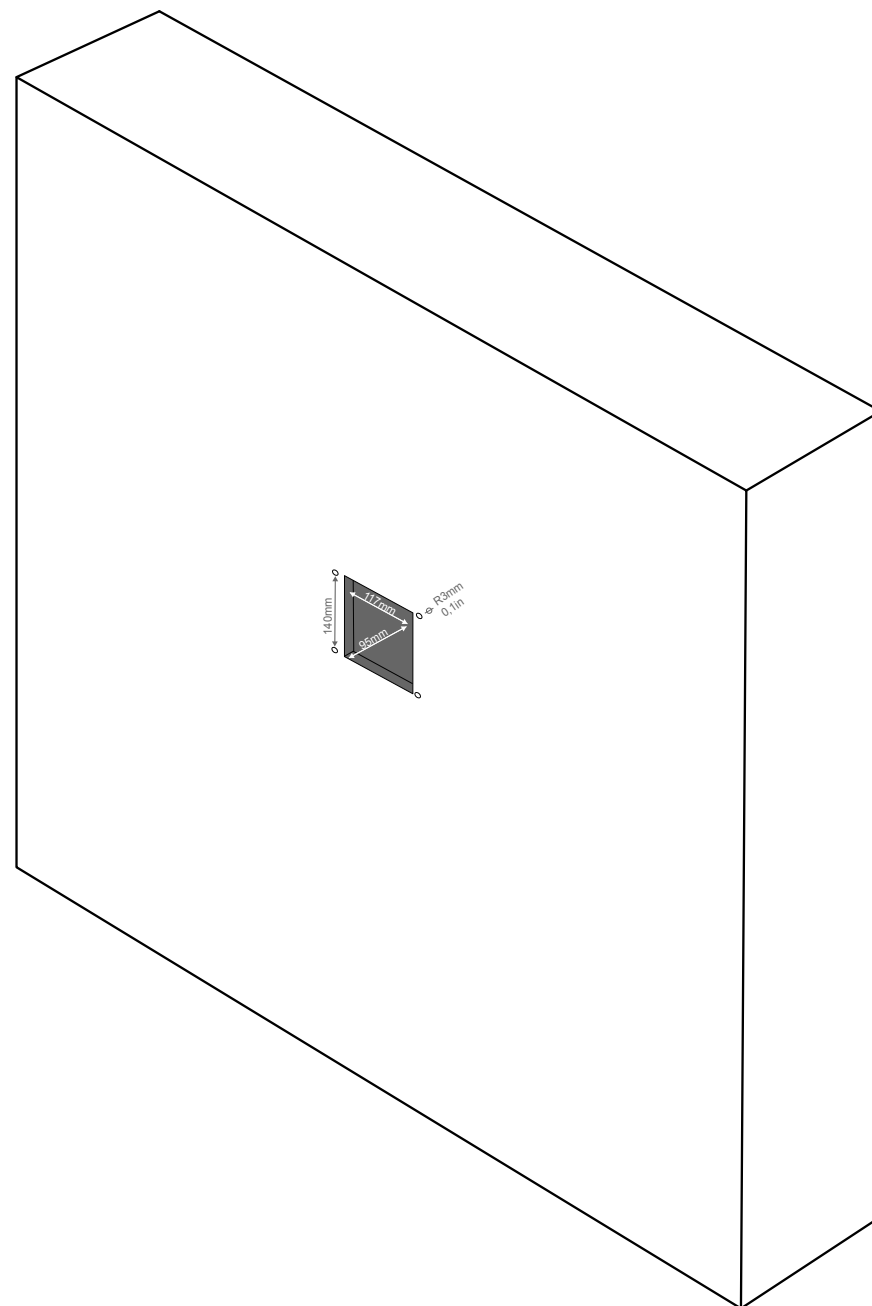
Per l'installazione da incasso a parete, segui i passaggi riportati di seguito:

1. Individua la posizione ottimale sulla parete per l'installazione del diffusore, tenendo conto della copertura audio desiderata, dell'area di ascolto, dell'altezza di montaggio, della disposizione dell'ambiente e delle caratteristiche acustiche.
2. Prepara gli strumenti necessari per praticare un foro nella parete di almeno 117 × 117 × 95 mm (L × P × H), in base alle dimensioni del diffusore indicate nel disegno meccanico.
3. Il telaio del diffusore GH4R è dotato di quattro fori da 0,1 mm per il fissaggio a parete. Utilizza un trapano per praticare altri quattro fori aggiuntivi, ciascuno distanziato di 140 mm (dimensione esterna del telaio) rispetto ai fori precedentemente realizzati.
4. Rimuovi la griglia magnetica dal diffusore.
5. Collega il diffusore all'amplificatore designato utilizzando i cavi già presenti nella parete, prestando particolare attenzione al corretto valore di impedenza, soprattutto in caso di installazioni distribuite con più diffusori.
6. Inserisci il diffusore nella parete e fissalo utilizzando quattro viti da 3 mm e tasselli a muro.
7. Riposiziona la griglia sul diffusore.
8. Verifica il funzionamento dell'impianto audio e goditi la tua musica!

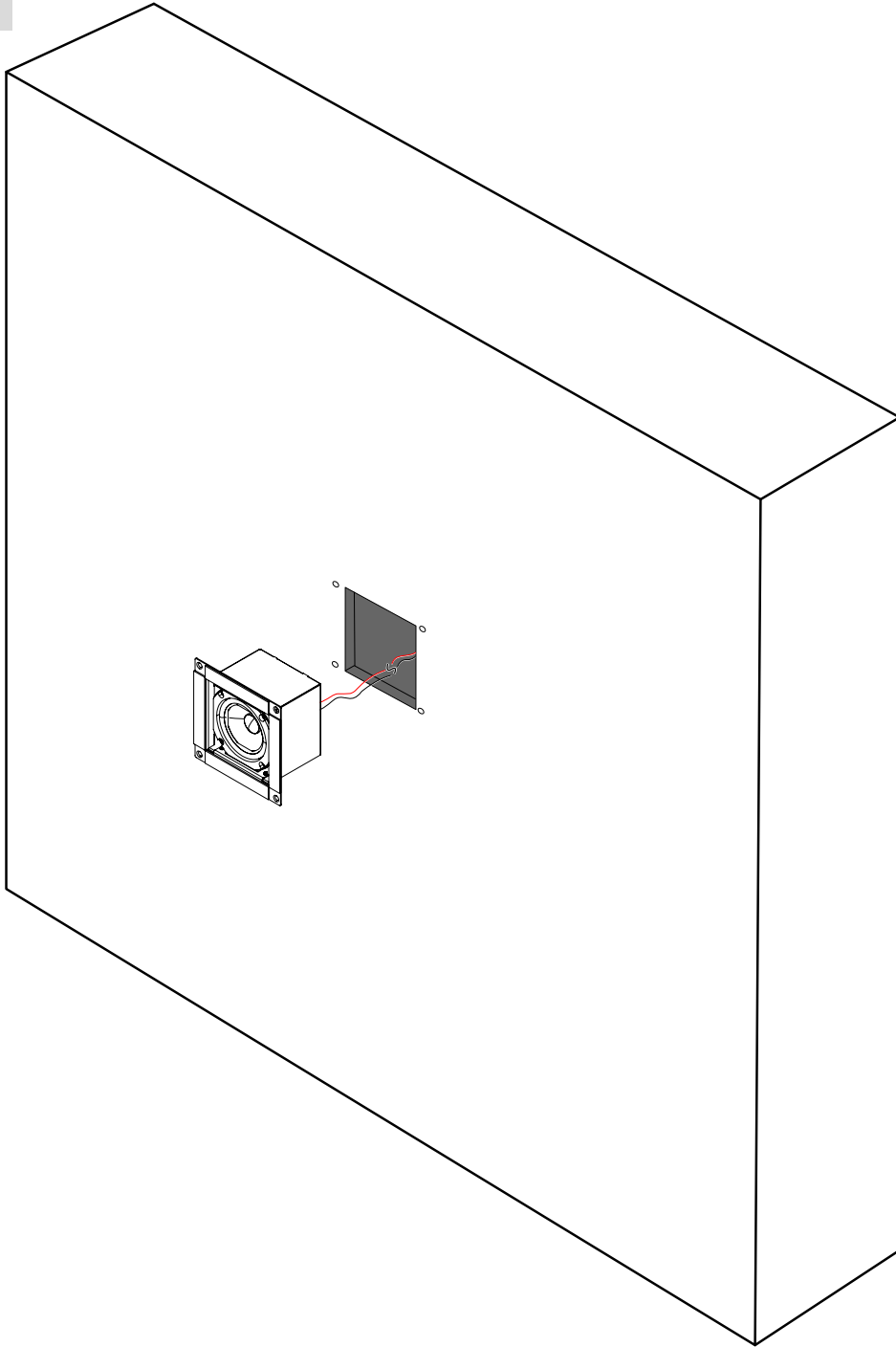
a



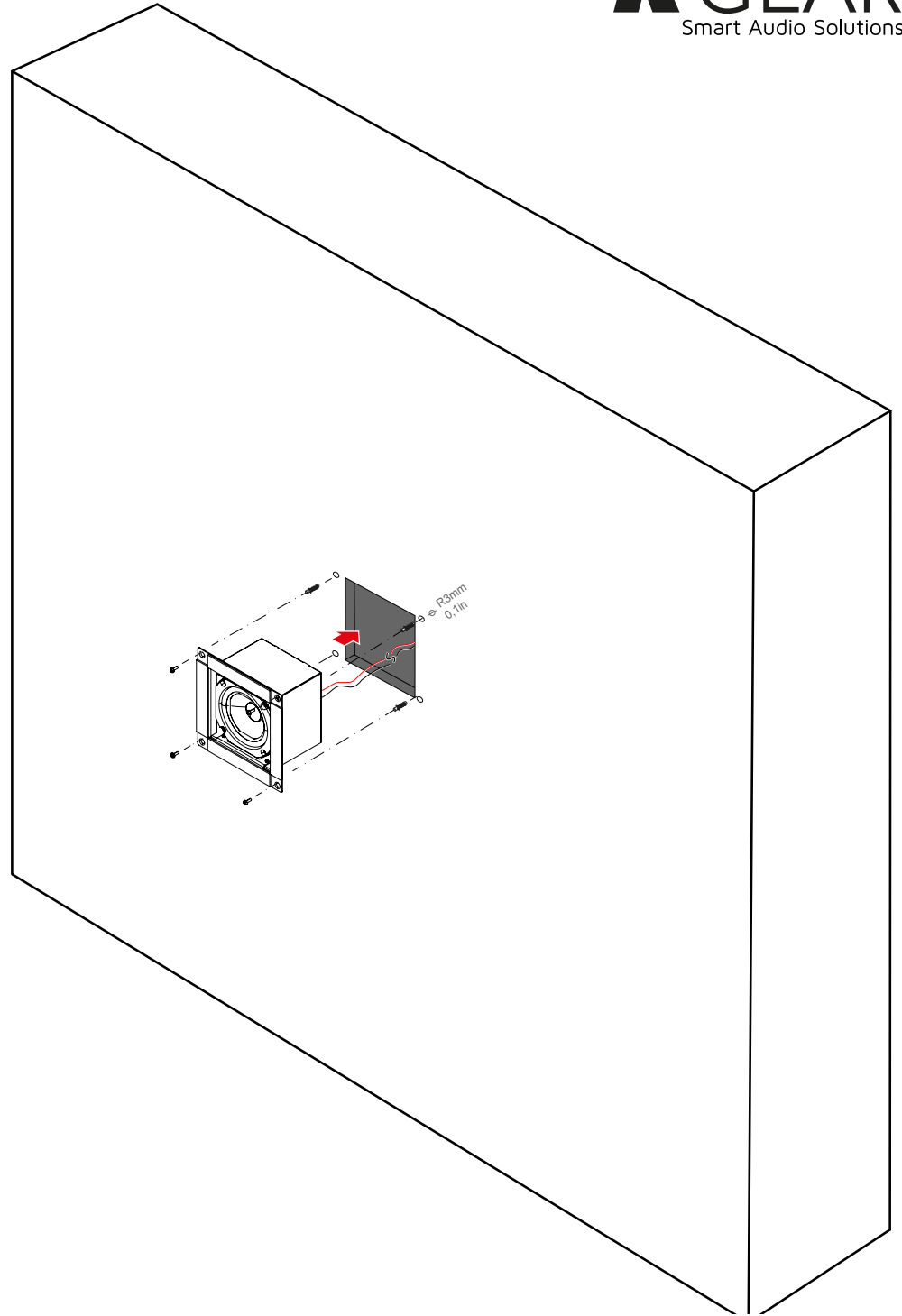
b



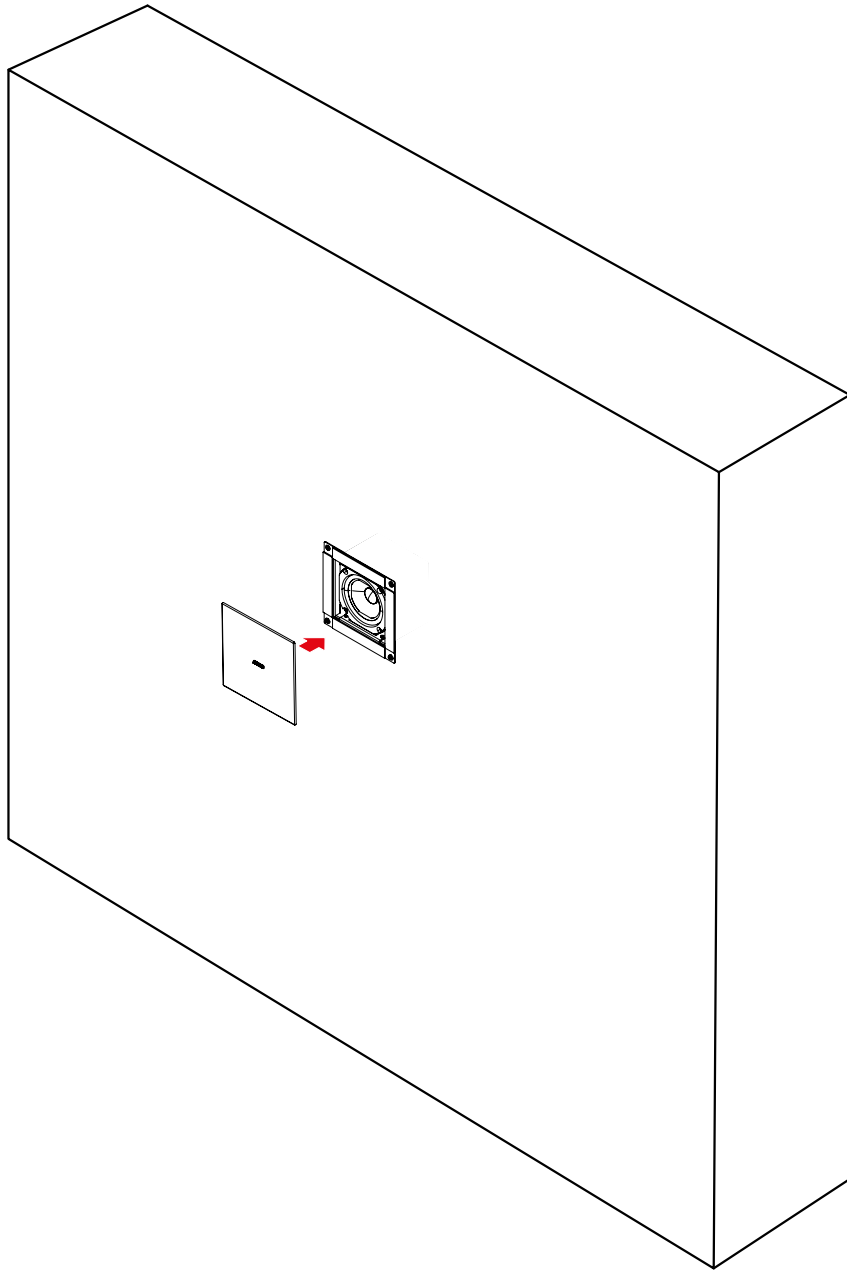
c



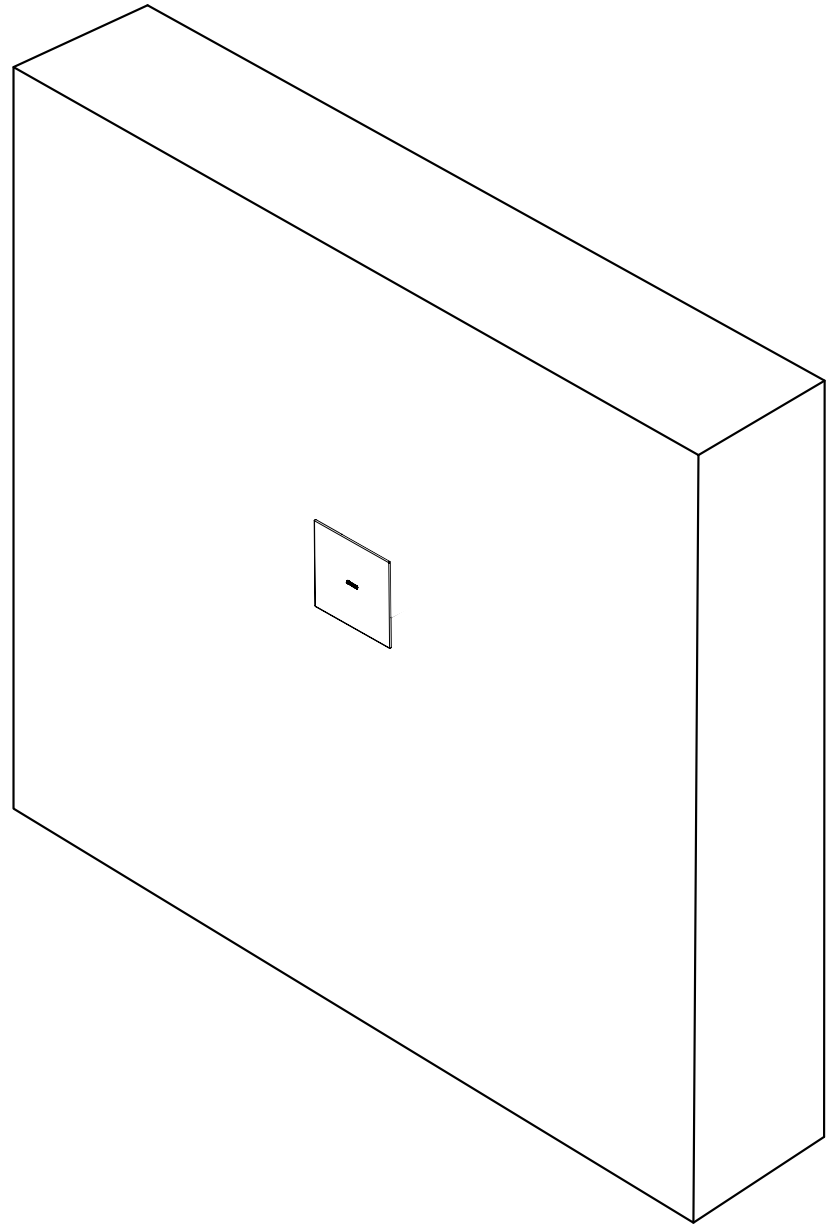
d



e



f



## GH4 + K-WALL2LMINI

### Installazione a parete – inclinazione e orientamento massimi

Il K-WALL2LMINI è una staffa in miniatura derivata dal modello più grande K-WALL2L di K-array™.

Questa staffa è progettata per l'installazione a parete di colonne audio e consente di inclinare il diffusore verso il basso fino ad almeno 45 gradi.

Nonostante le dimensioni ridotte, il K-WALL2LMINI mantiene tutte le funzionalità del modello più grande, offrendo una soluzione compatta e sicura per il montaggio dei diffusori, con la possibilità di orientare il suono verso il pubblico o l'area desiderata.

La caratteristica distintiva del K-WALL2LMINI è la sua capacità di consentire un'inclinazione ancora maggiore, risultando adatto anche per installazioni a soffitto.

Questa maggiore flessibilità lo rende una scelta ideale per diverse configurazioni, offrendo più opzioni per un orientamento preciso del suono e per installazioni versatili.



### K-WALL2LMINIM – Versione Marina

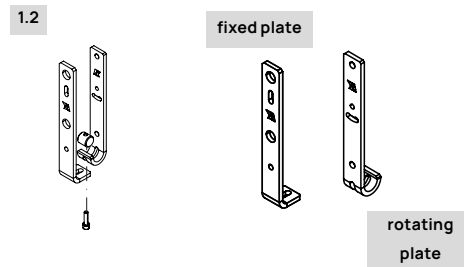
La versione marina della staffa K-WALL2LMINIM è progettata specificamente per installazioni in ambienti costieri e marini.

Realizzata con materiali resistenti alla corrosione e trattamenti superficiali protettivi, garantisce la massima durabilità anche in presenza di salsedine, umidità e condizioni atmosferiche estreme.

**Compatibile con il modello GH8M. Per ulteriori informazioni sul prodotto, consultare la pagina 14.**

### Installazione:

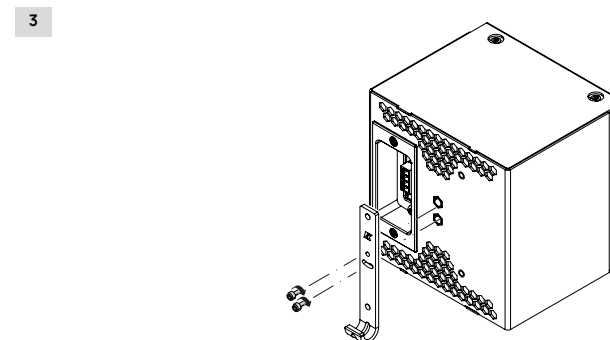
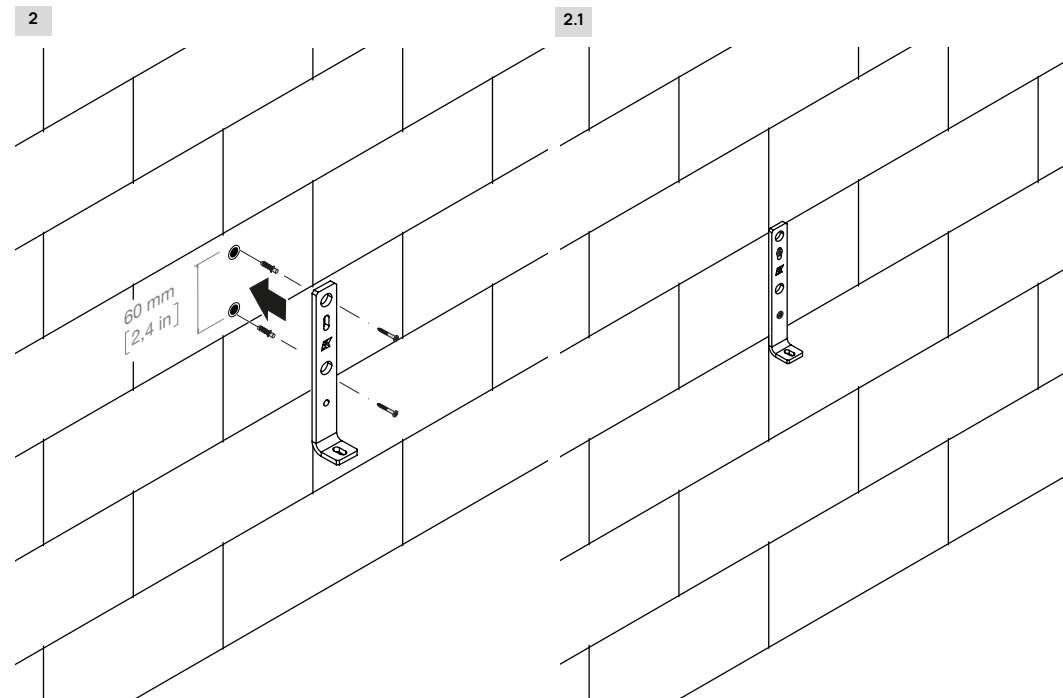
Per prima cosa, smonta la staffa K-WALL2L rimuovendo la vite inferiore della staffa da fissare sulla superficie.



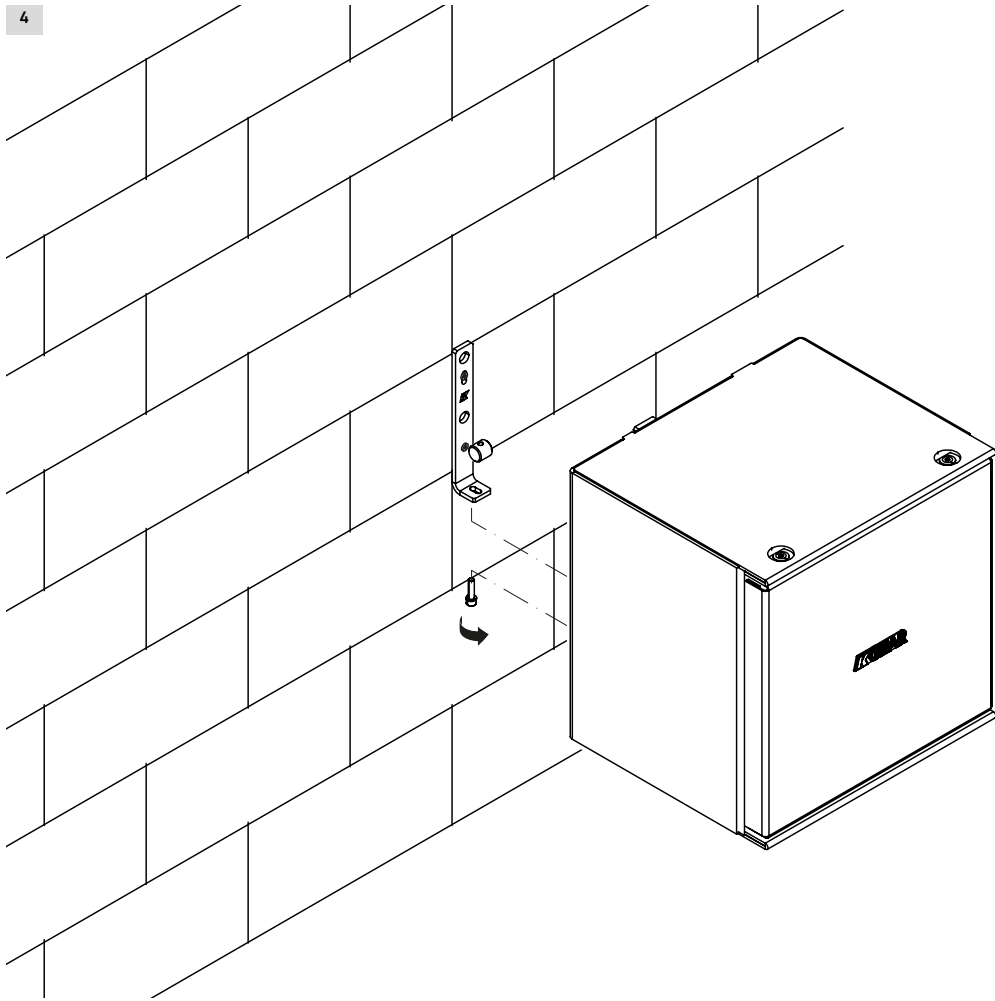
La piastra della staffa con l'estremità più piatta è quella che deve essere montata a parete, fungendo da base per l'altra parte della staffa.

Grazie a una rondella girevole, la seconda staffa consente di inclinare facilmente il diffusore fino all'angolo desiderato.

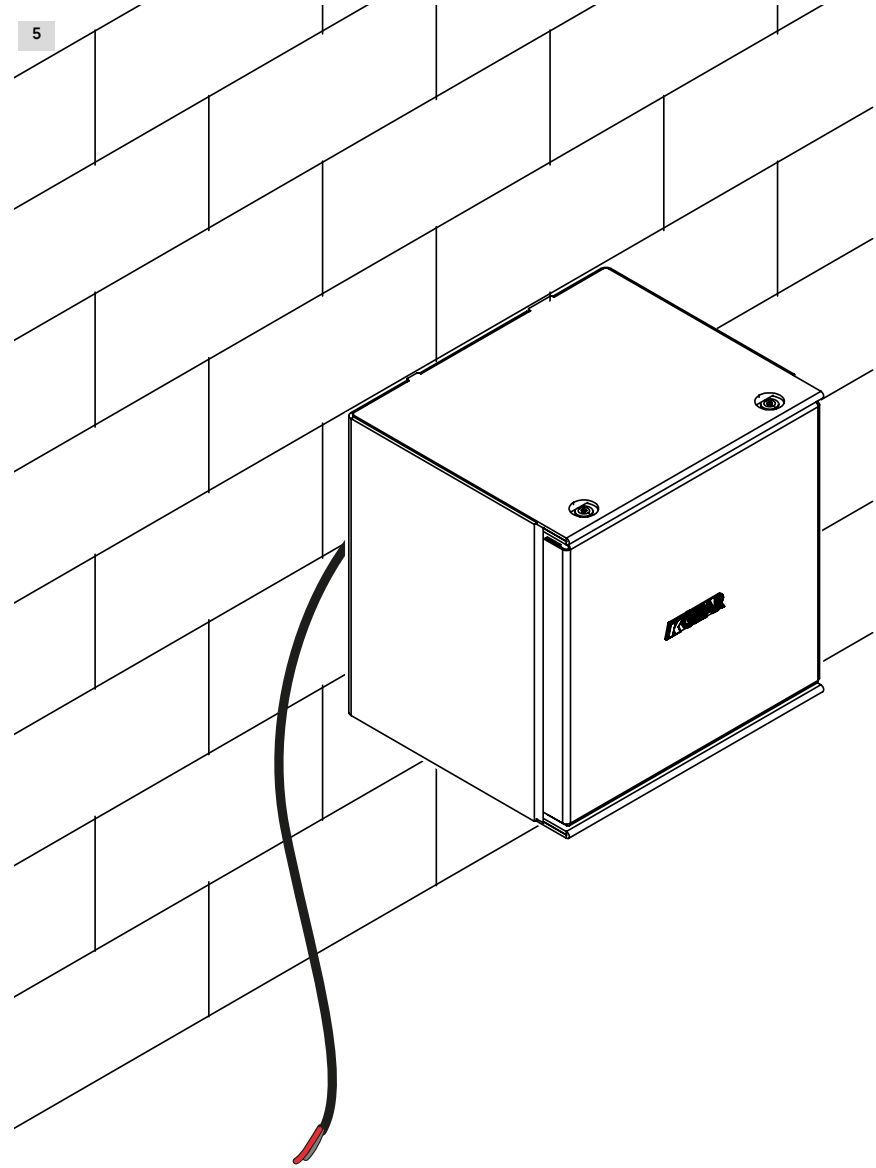
1. Per prima cosa, individua la posizione ideale per il montaggio del diffusore a parete, tenendo conto sia dell'altezza sia della distanza rispetto all'area da coprire acusticamente.
2. Fissa la piastra alla parete utilizzando due viti e tasselli, distanziati di 60 mm.
3. Dopo aver montato la piastra a parete, fissa l'altra piastra al diffusore utilizzando le viti di montaggio in dotazione.
4. Successivamente, riassume la staffa collegandola alla piastra fissata a parete e, se necessario, regola l'inclinazione del diffusore fino a raggiungere l'angolo desiderato.
5. Il GH4 viene installato a parete tramite l'accessorio staffa K-WALL2LMINI.

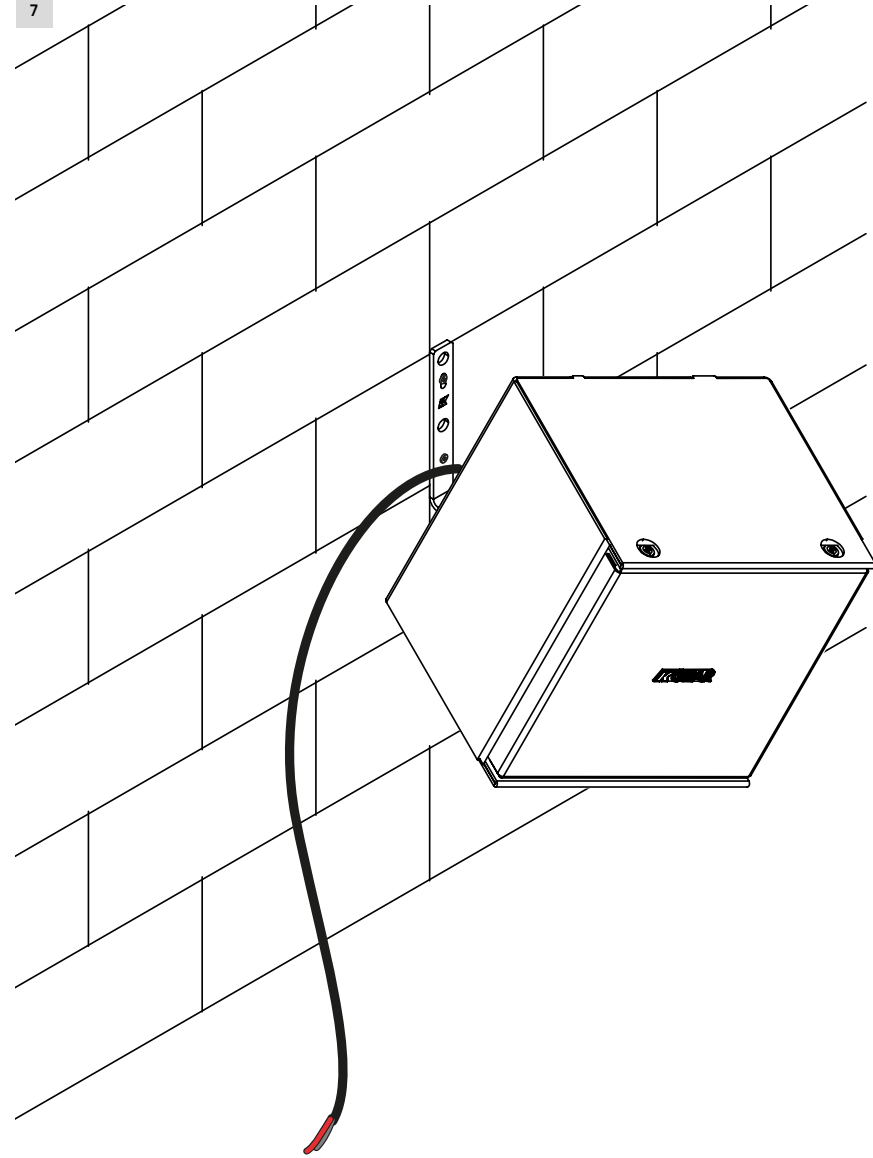
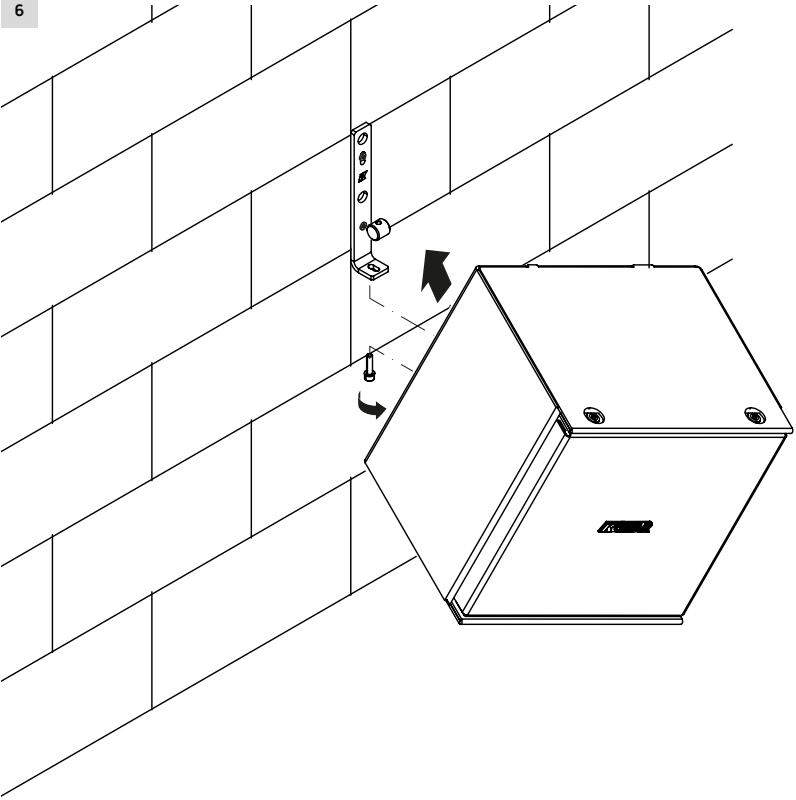


4



5

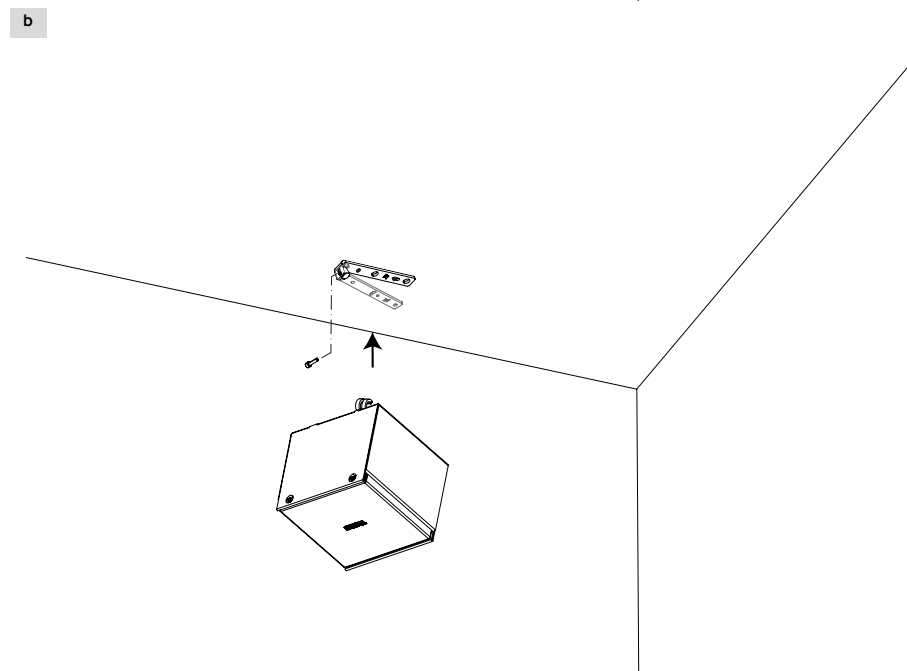
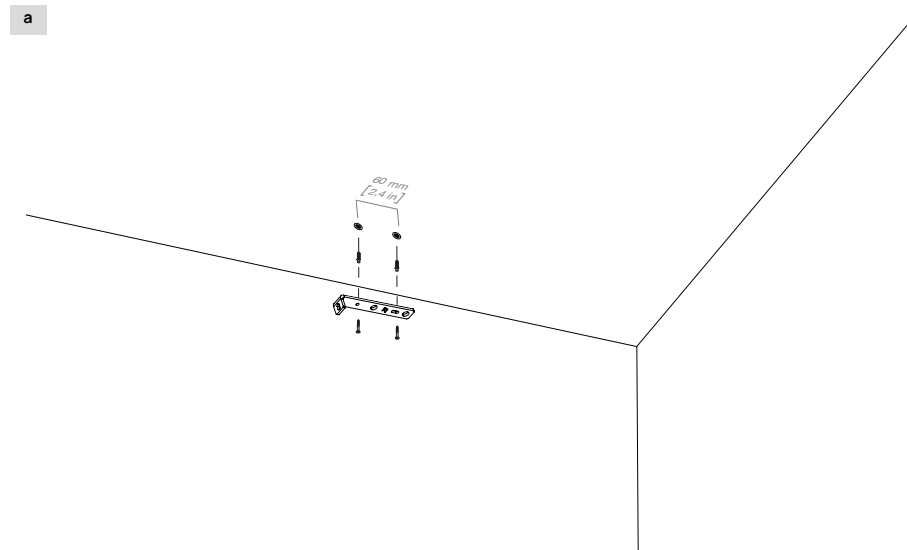




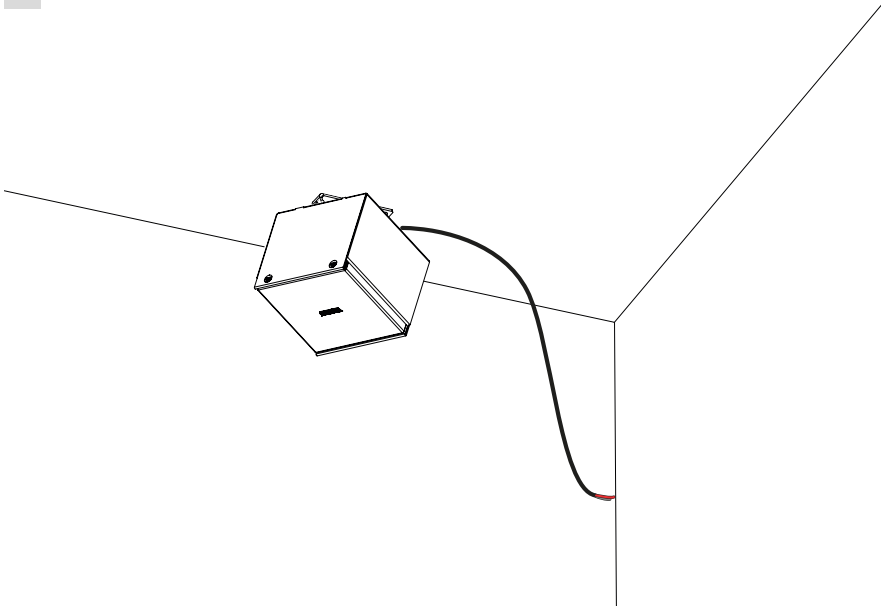
## GH4 + K-WALL2LMINI

### Installazione a soffitto

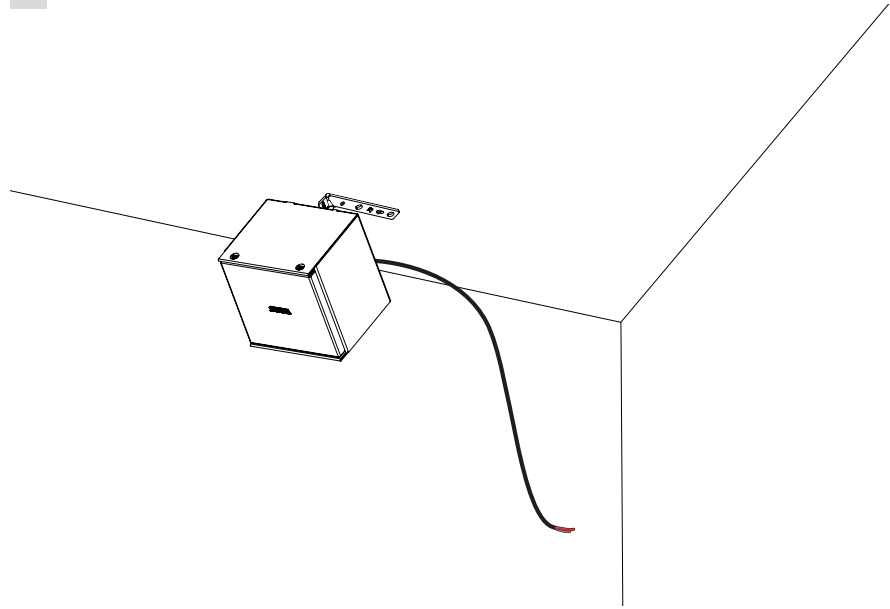
Il GH4 può essere installato anche a soffitto utilizzando la staffa K-WALL2LMINI, posizionata in configurazione standard per un'orientamento verso il basso oppure inclinata di 90° per proiettare il suono verso aree più lontane dalla posizione d'ascolto sottostante.



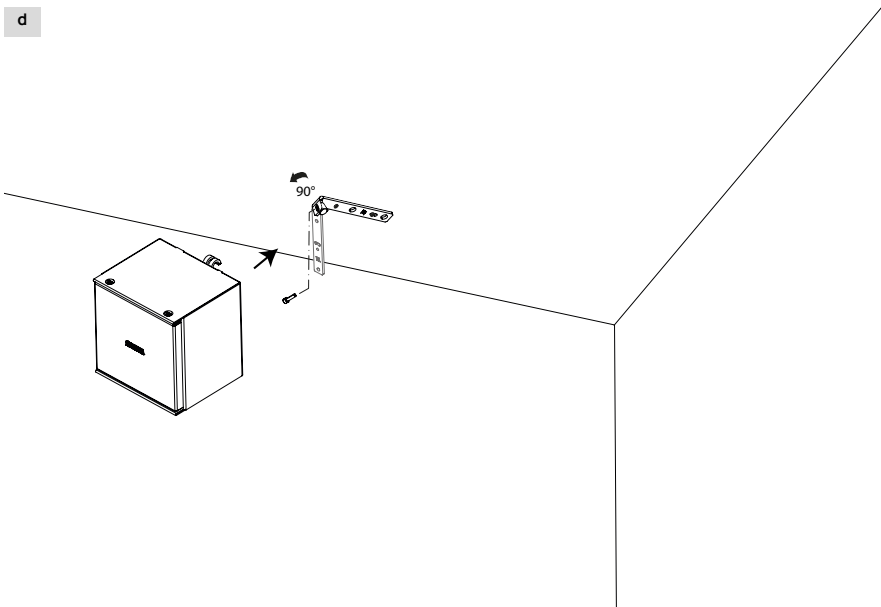
c



e



d



## GH4M - Applicazione in ambiente marino

### GH4M and GH4RM – Marine Version (standard and recessed)

la GH4M è disponibile anche in una versione Marina, specificamente trattata per resistere a una prolungata esposizione ad ambienti salini e garantire una durabilità a lungo termine.

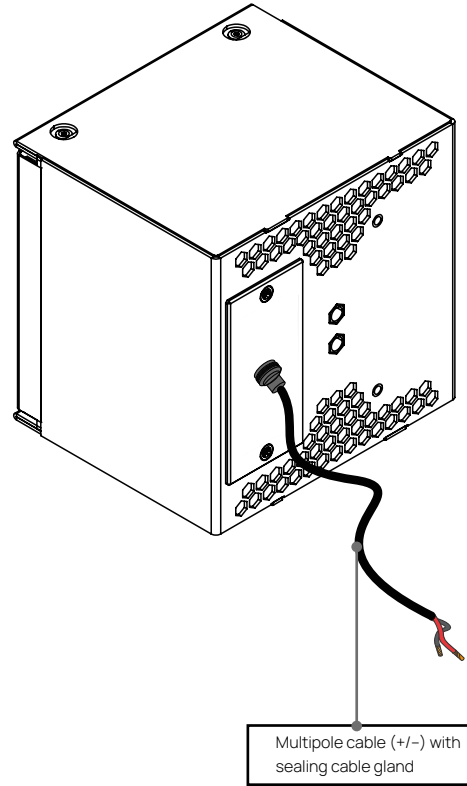
Il diffusore è fornito con un pressacavo in ottone nichelato installato in fabbrica e con un cavo marino preassemblato, dotato di conduttori contrassegnati come COLD- (nero-) e HOT+ (rosso+).

Collega il diffusore collegando i conduttori ai terminali dell'amplificatore.


#### Questa configurazione:

- garantisce un corretto isolamento dell'ingresso,
- offre protezione contro l'ingresso di acqua,
- semplifica il cablaggio in spazi ridotti,
- aumenta il grado di protezione IP del diffusore a IP65.

Nota: assicurati che il pressacavo rimanga correttamente serrato e integro per mantenere la massima protezione impermeabile.



Segnale dal canale dell'amplificatore – collega i cavi (COLD)- e (HOT)+ al canale dedicato dell'amplificatore, assicurandoti di rispettare il valore di impedenza di 16 Ω del diffusore.



  
 Rispetta la polarità durante il collegamento.  
 Collega il conduttore HOT+ (rosso +) al terminale positivo dell'amplificatore e il conduttore COLD- (nero -) al terminale negativo.

### GH4RM e GH4RTM – Versione da incasso marina e da incasso con trasformatore e trattamenti marini.

I modelli GH4RM e GH4RTM rappresentano rispettivamente la versione da incasso marina e la versione da incasso con trasformatore del diffusore GH4, entrambe trattate per garantire resistenza alla corrosione e durabilità in ambienti salini o marini.

È dotata di un cavo multipolare integrato con connettori WAGO, che consentono un cablaggio rapido e sicuro.

La GH4RTM integra un trasformatore per sistemi a tensione costante (70/100 V), ideale per installazioni distribuite in ambienti costieri.

| Wiring - 16 Ω   |      |   |                   |   |
|---|------|---|-------------------|---|
| Red    | HOT  | + | Amplifier channel | + |
| Black  | COLD | - |                   | - |

## GH4RT altoparlante passivo con trasformatore integrato




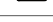

Il GH4RT è un diffusore passivo da incasso dotato di trasformatore integrato.

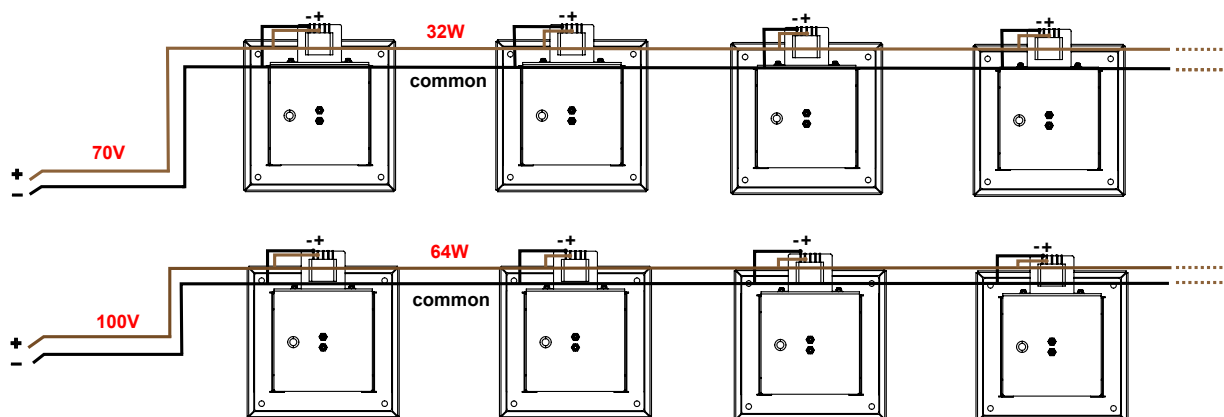
Questo sistema consente il collegamento in parallelo di più diffusori in modo semplice e sicuro, ottimizzando l'efficienza della potenza dell'amplificatore.

### Impostazioni di potenza

L'utente può selezionare tra diverse uscite di potenza: 4/8/16/32 W @ 70 V oppure 8/16/32/64 W @ 100 V, consentendo una regolazione precisa del livello di uscita per ciascun diffusore collegato.

DERIVAZIONI DI POTENZA DEL TRASFORMATORE

| GH4RT wiring   |  |          |          |
|----------------|--|----------|----------|
| Terminal wires | Gauge  | 70 V     | 100 V    |
| Black          |  AWG22<br>0,32*mm | COMMON - | COMMON - |
| Brown          |  AWG22<br>3,32*mm | 64 W     | 32 W     |
| Red            |  AWG22<br>0,32*mm | 32 W     | 16 W     |
| Orange         |  AWG22<br>0,32*mm | 16 W     | 8 W      |
| Yellow         |  AWG22<br>0,32*mm | 8 W      | 4 W      |



### Impedenza

I driver a doppio cono del GH4R sono collegati internamente con un'impedenza di 4 Ω.

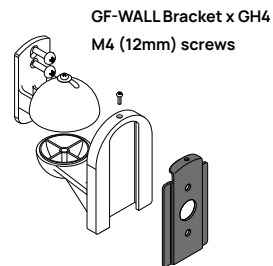
Questo valore ridotto di impedenza consente un trasferimento di potenza efficiente e minimizza la perdita di segnale, garantendo al tempo stesso la compatibilità con linee a tensione elevata da 100 V e 70 V, permettendo così una perfetta integrazione in diversi sistemi elettrici.

### Specifiche Fisiche

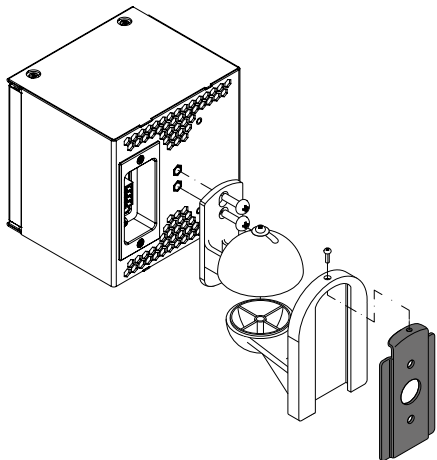
Come il GH4R, anche il GH4RT è dotato di una cornice esterna che garantisce un fissaggio sicuro, mentre la griglia magnetica consente una rimozione e un riposizionamento semplici e rapidi durante l'inserimento del diffusore nella parete. Il diffusore è completamente sigillato, offrendo una protezione ottimale contro gli agenti esterni e garantendo una durabilità elevata una volta installato.

## Installazione a muro

Ogni GH4 è fornito con una staffa di montaggio dedicata per installazione a parete (GF-WALL), completa di viti M4 da 12 mm (0,5 in) per un'installazione semplice e immediata. Per installare il diffusore utilizzando l'accessorio dedicato GF-WALL, segui i seguenti passaggi: Assicurati di avere tutti i componenti del supporto GF-WALL necessari per l'installazione.



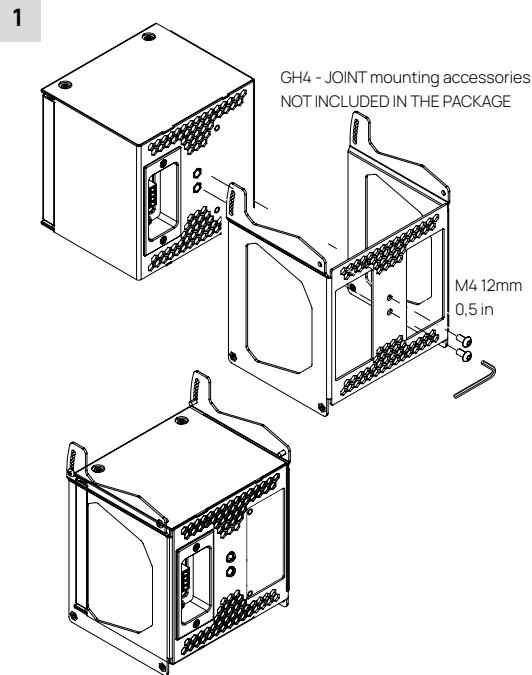
1. Individua la posizione corretta sulla parete, in base all'area di ascolto che deve essere coperta.
2. Fissa la staffa al pannello posteriore del diffusore utilizzando le viti M4 in dotazione.
3. Installa infine il diffusore sulla parete e collegalo tramite il connettore Euroblock fornito, prestando attenzione al corretto impostazione



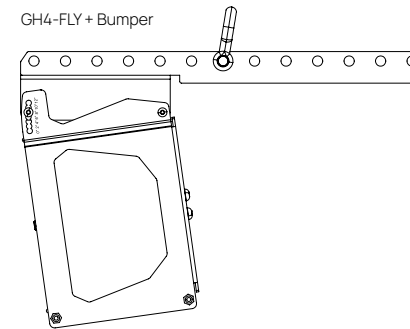
## Sospensione / Montaggio in array

Ogni elemento GH4 può essere installato in configurazione array utilizzando gli accessori di montaggio regolabili a parete GH4-JOINT e GH4-FLY (acquistabili separatamente).

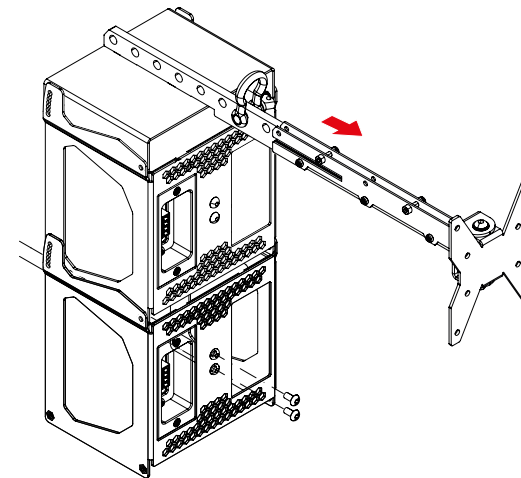
1. Per prima cosa, è possibile unire più elementi tra loro grazie al kit di giunzione dedicato GH4-JOINT, da fissare al pannello posteriore dei diffusori mediante viti M4.
2. Successivamente, utilizza la barra GH4-FLY per sospendere l'array in verticale oppure per fissarlo a parete, inserendola nella guida della staffa GH4-WALL.



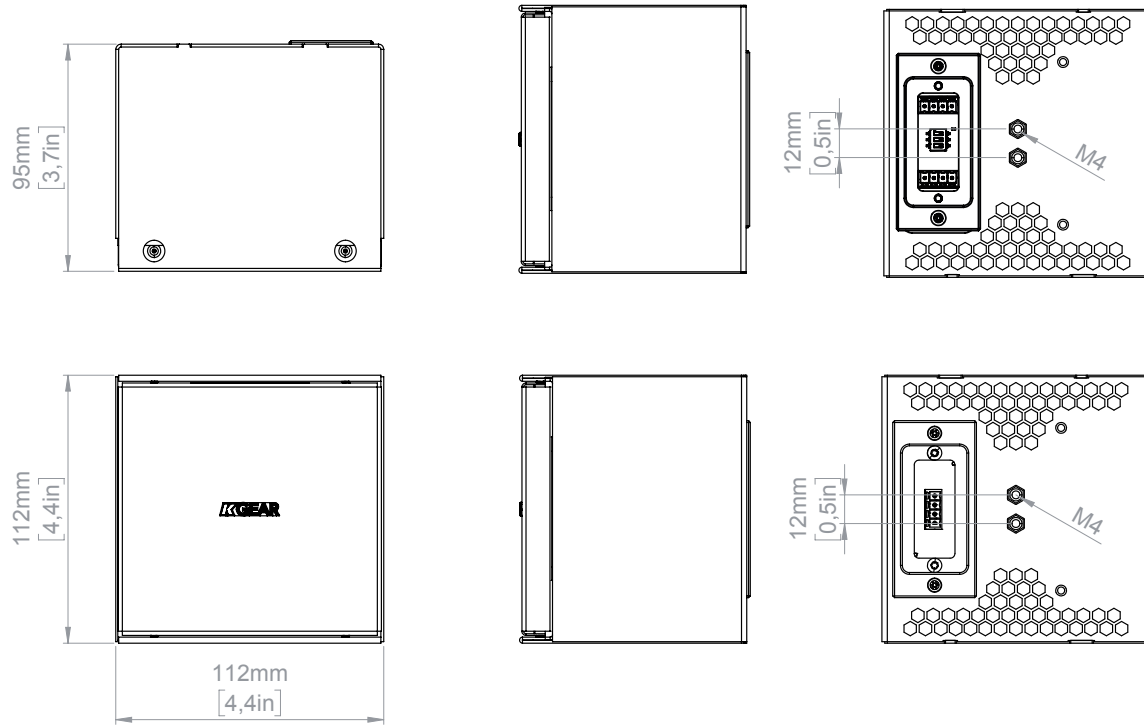
2



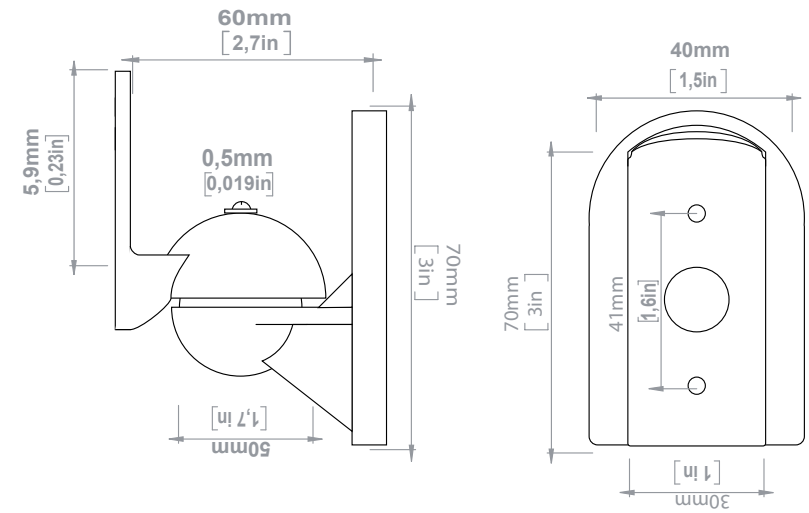
Rigging Hardware -  
GH4-JOINT + GH-FLY



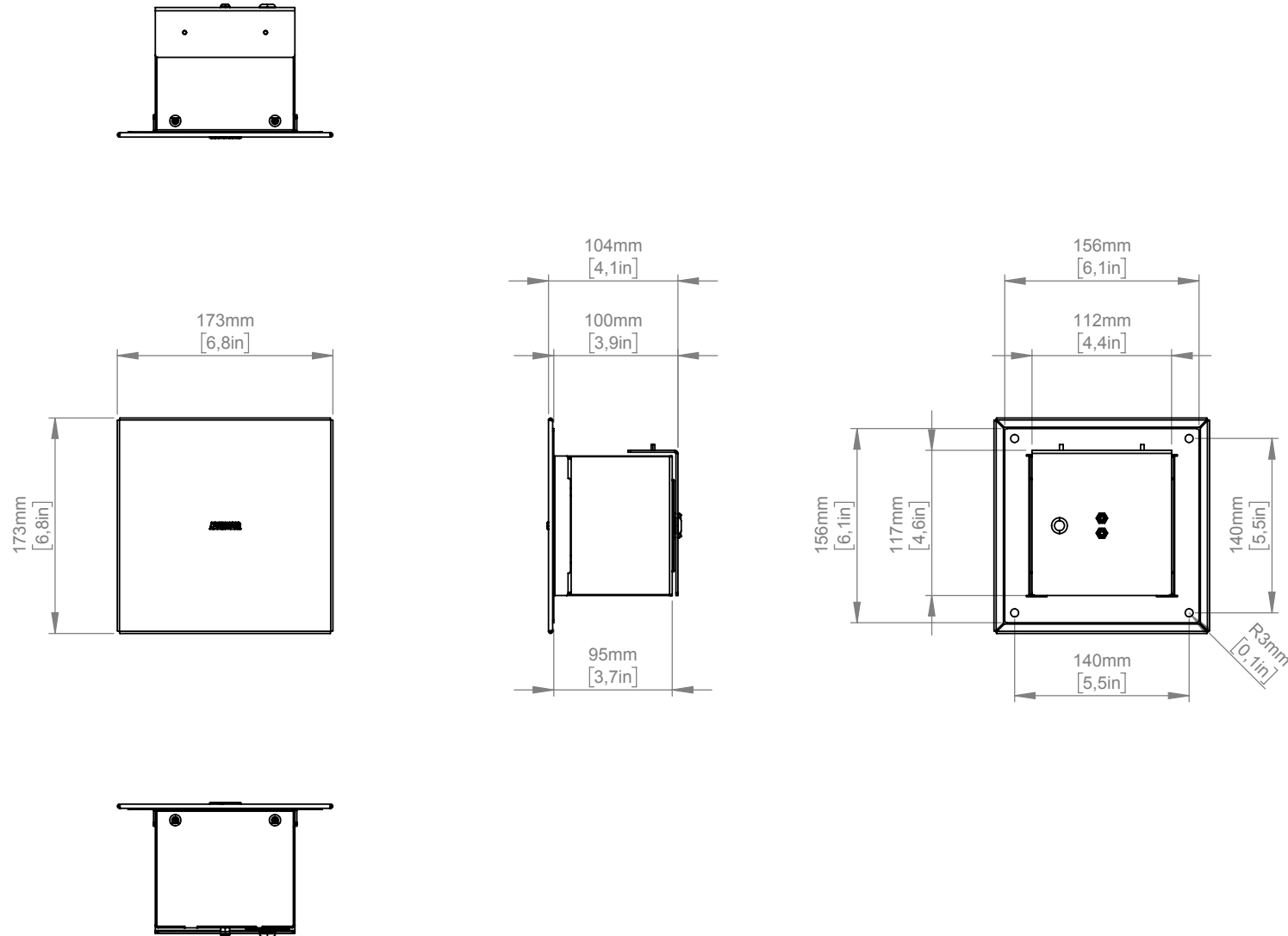
## Disegni Meccanici - GH4 - GH4A



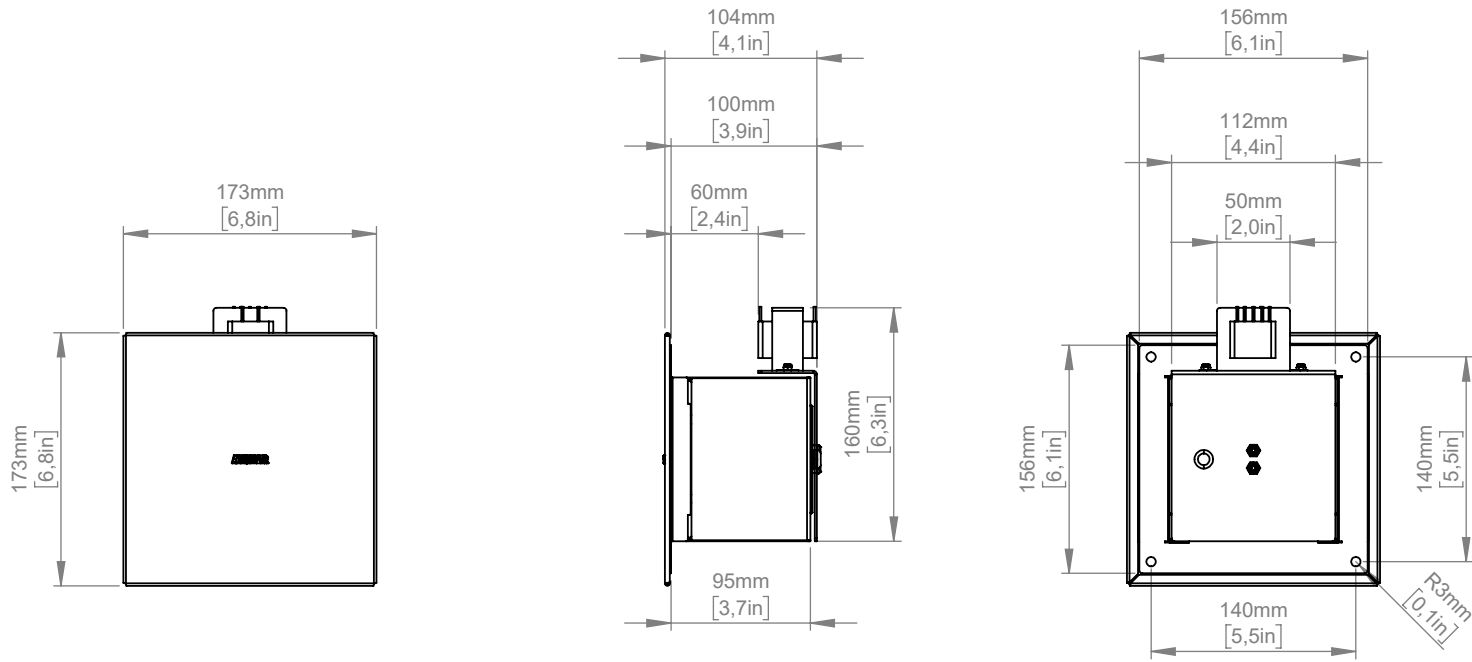
## GF-WALL



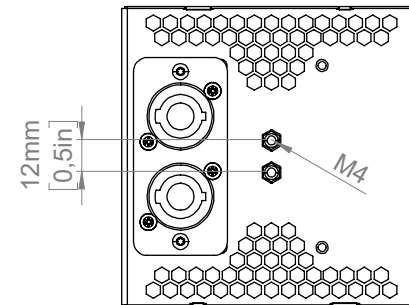
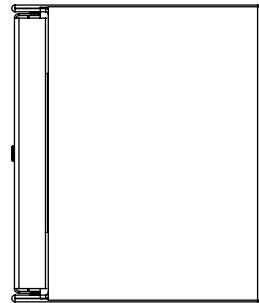
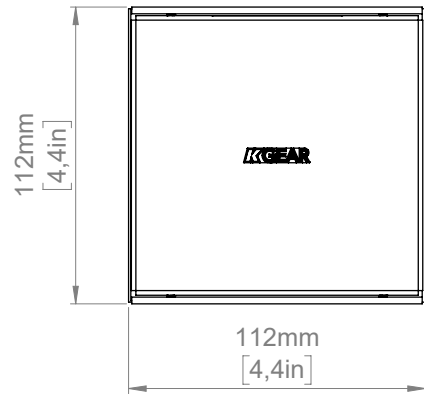
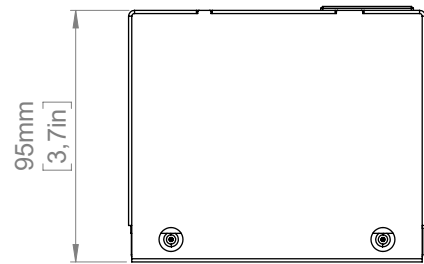
**Disegni Meccanici - GH4R / GH4RM**

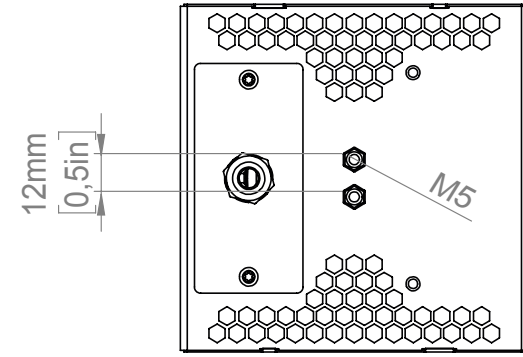
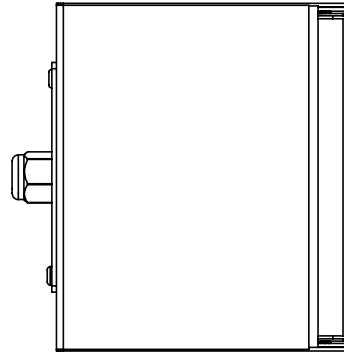
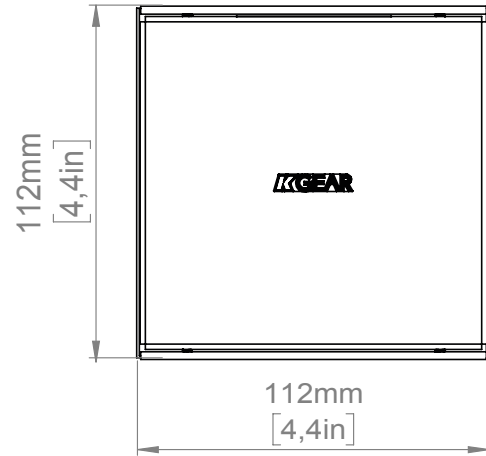


**Disegni Meccanici- GH4RT / GH4RTM**

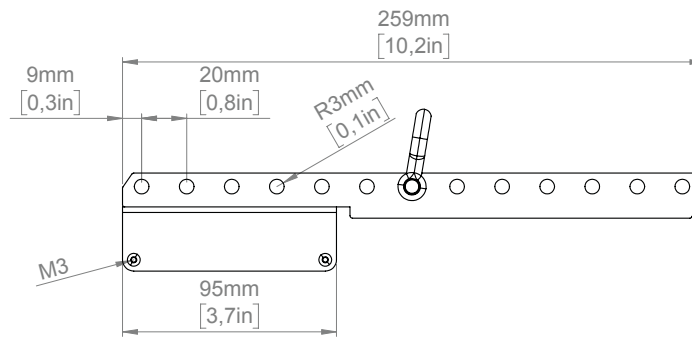
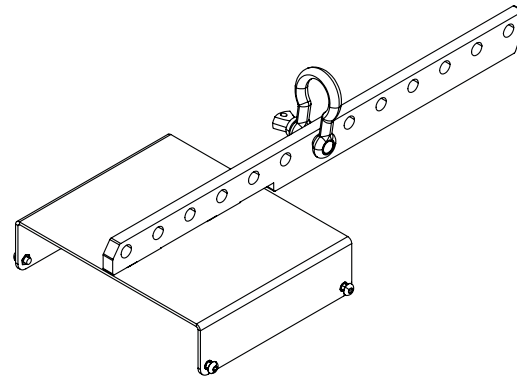
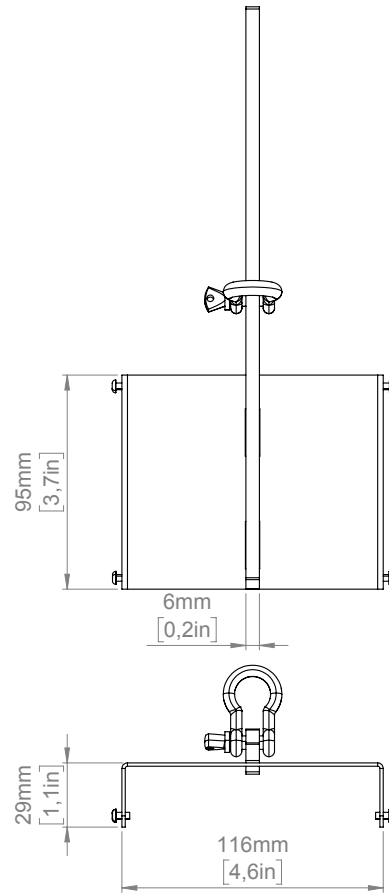


Disegni Meccanici - GH4LIVE

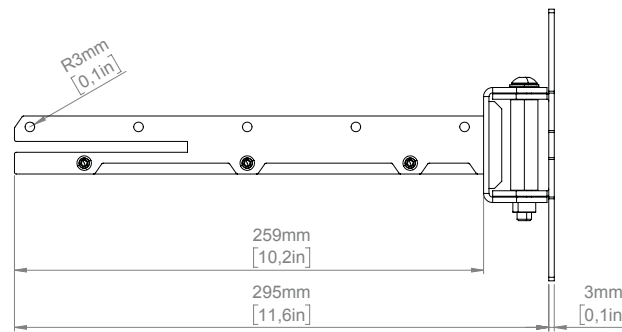
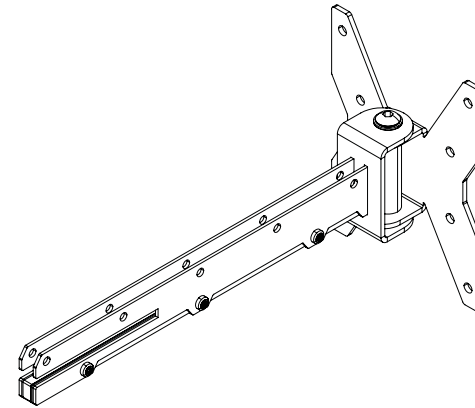
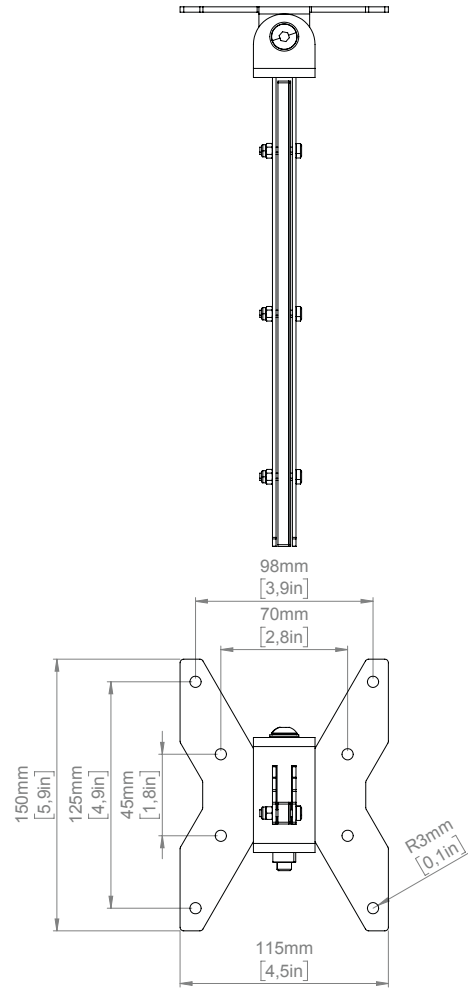




Disegni Meccanici - GH4-FLY



Disegni Meccanici - GH4-WALL



## ISTRUZIONI DI SICUREZZA


**CAUTION**  
 RISK OF ELECTRIC SHOCK  
 DO NOT OPEN

**ATTENTION:** RISQUE DE CHOC ELECTRIQUE NE PAS OUVRIR

**CAUTION:** TO REDUCE THE RISK OF ELECTRIC SHOCK,  
 DO NOT REMOVE COVER (OR BACK).  
 NO USER-SERVICEABLE PARTS INSIDE.  
 REFER SERVICING TO QUALIFIED SERVICE PERSONNEL.

Questo simbolo avvisa l'utente della presenza di raccomandazioni sull'uso e la manutenzione del prodotto.



Il simbolo del lampo con punta a freccia all'interno di un triangolo equilatero ha lo scopo di avvisare l'utente della presenza di tensione pericolosa non isolata all'interno dell'involucro del prodotto, di entità sufficiente da costituire un rischio di scossa elettrica.



Il punto esclamativo all'interno di un triangolo equilatero ha lo scopo di avvisare l'utente della presenza di importanti istruzioni per il funzionamento e la manutenzione (assistenza) contenute in questo manuale.



Questo simbolo identifica il manuale d'uso relativo alle istruzioni operative e indica che tali istruzioni devono essere consultate durante il funzionamento del dispositivo o del comando in prossimità del quale il simbolo è posizionato.



Questo dispositivo elettrico è progettato principalmente per l'uso in ambienti interni.





WEEE  
 Si prega di smaltire questo prodotto, al termine del suo ciclo di vita, portandolo presso un punto di raccolta o un centro di riciclo locale per apparecchiature di questo tipo.



Questo dispositivo è conforme alla Direttiva sulla Restrizione dell'Uso di Sostanze Pericolose (RoHS).



## Avvertenze e precauzioni generali

- Leggere queste istruzioni.
- Conservare queste istruzioni.
- Prestare attenzione a tutte le avvertenze.
- Seguire tutte le istruzioni.
- Non utilizzare questo apparecchio vicino all'acqua.
- Pulire solo con un panno asciutto.
- Non ostruire nessuna apertura di ventilazione.
- Installare in conformità con le istruzioni del produttore.
- Non installare vicino a fonti di calore come radiatori, registri di calore, stufe o altri apparecchi (compresi amplificatori) che producono calore.
- Utilizzare solo accessori/attacchi specificati dal produttore.
- Pulire il prodotto solo con un panno morbido e asciutto. Non utilizzare mai prodotti di pulizia liquidi, in quanto potrebbero danneggiare le superfici estetiche del prodotto.
- Utilizzare solo con il carrello, supporto, treppiede, staffa o tavolo specificato dal produttore, o venduto  insieme all'apparecchio.
- Quando  si utilizza un carrello, fare attenzione quando si sposta la combinazione carrello/apparecchio per evitare lesioni da ribaltamento.
- Scollegare questo apparecchio durante temporali o quando non viene utilizzato per lunghi periodi di tempo.
- Affidarsi a personale di assistenza qualificato per qualsiasi intervento di manutenzione.
- La manutenzione è necessaria quando l'apparecchio è stato danneggiato in qualche modo, come ad esempio se il cavo di alimentazione o la spina sono danneggiati, se sono stati versati liquidi o se sono caduti oggetti nell'apparecchio,

se l'apparecchio è stato esposto alla pioggia o all'umidità, non funziona normalmente o è stato fatto cadere.

**ATTENZIONE:**

Queste istruzioni di manutenzione sono destinate solo al personale di assistenza qualificato. Per ridurre il rischio di scosse elettriche, non eseguire alcuna manutenzione, se non quella contenuta nelle istruzioni operative, a meno che non si sia qualificati per farlo.

**AVVERTENZA:**

Utilizzare solo accessori/attacchi specificati o forniti dal produttore (come l'adattatore di alimentazione esclusivo, la batteria, ecc.).

Utilizzare solo cavi per altoparlanti per collegare gli altoparlanti ai terminali dell'altoparlante. Assicurarsi di rispettare l'impedenza nominale di carico dell'amplificatore, in particolare quando si collegano altoparlanti in parallelo. Collegare un carico di impedenza al di fuori della gamma nominale dell'amplificatore può danneggiare l'apparecchio. KGEAR non si assume alcuna responsabilità per prodotti modificati senza previa autorizzazione.

**Assistenza**

Si prega di avere a disposizione il/i numero/i di serie dell'unità/degli apparecchi per riferimento.

Contattare il distributore ufficiale KGEAR del proprio paese. L'elenco completo di Distributori e Rivenditori è disponibile sul sito [www.kgear.it](http://www.kgear.it). Al momento del contatto con il Servizio Clienti, descrivere chiaramente e in modo dettagliato il problema riscontrato.

Sarete ricontattati per un supporto online.

Se il problema non può essere risolto a distanza, potrebbe essere richiesto l'invio dell'unità in assistenza. In tal caso, vi verrà fornito un numero RA (Return Authorization), che dovrà essere riportato su tutti i documenti di spedizione e nella corrispondenza relativa alla riparazione.

Le spese di spedizione sono a carico dell'acquirente.

Qualsiasi tentativo di modificare o sostituire componenti del dispositivo invaliderà la garanzia. L'assistenza deve essere effettuata esclusivamente da un centro autorizzato K-array.

**Manutenzione**

Utilizzare esclusivamente un panno morbido e asciutto per pulire l'involucro.

Non usare solventi, sostanze chimiche o detergenti contenenti alcol, ammoniaca o materiali abrasivi.

Non spruzzare liquidi nelle vicinanze del prodotto e non lasciare che penetrino all'interno attraverso eventuali aperture.

Questi apparecchi sono destinati a un uso professionale.

L'installazione e la messa in servizio devono essere effettuate esclusivamente da personale qualificato e autorizzato.



Avvertenza. Il mancato rispetto di queste istruzioni di sicurezza potrebbe causare incendi, scosse elettriche o altri infortuni o danni al dispositivo o ad altri beni.

## GH4

| Technical specifications   |
|--|
| Type<br><b>Passive loudspeaker</b>                               |
| Transducer<br><b>4" neodymium magnet full range driver</b>       |
| Frequency Response <sup>1</sup><br><b>150 Hz - 20 kHz (-6dB)</b> |
| Max SPL <sup>2</sup><br><b>122 dB (peak)</b>                     |
| Power Handling<br><b>140 W</b>                                   |
| Coverage<br><b>V.90   H.90°</b>                                  |
| Connectors<br><b>1x Phoenix connector (4-pin Euroblock)</b>      |
| Nominal Impedance<br><b>4 Ω - 16 Ω selectable</b>                |
| IP Rating<br><b>IP64</b>   |

## Handling & Finishes

|  |
|--|
| Dimensions (WxLxH)<br><b>112x 112x 95mm (4.4x 4.4x 3.74in)</b> |
| Weight<br><b>1,2 kg (2.87 lb)</b>                              |
| Material<br><b>Stainless Steel</b>                             |
| Color<br><b>Black</b>  |

<sup>1</sup> With dedicated preset

<sup>2</sup> Maximum SPL is calculated using a signal with crest factor 4 (12 dB) measured at 8 m then scaled at 1 m

## GH4A

| Technical specifications  |
|---|
| Type<br><b>Active loudspeaker</b>   |
| Transducer<br><b>4" neodymium magnet full-range driver</b>  |
| Frequency Response <sup>1</sup><br><b>150 Hz - 20 kHz (-6dB)</b>  |
| Max SPL <sup>2</sup><br><b>116 dB (peak)</b>  |
| Coverage<br><b>V.90   H.90°</b>   |
| Nominal Impedance<br><b>4 Ω</b>   |
| Connectors<br><b>2x Phoenix connector (4-pin euroblock)</b><br><b>Balanced line in</b><br><b>Mute Contact</b>                                 |
| Power out<br><b>24V DC IN (power supply not included)</b>   |
| Controllers<br><b>Auto ON/OFF with selectable threshold</b>   |
| Amp Module<br><b>1-channel Class D amplifier</b>  |
| Output Power<br><b>100W @ 2 Ω (24V power)</b>   |
| Power Consumption<br><b>30W Power Load 1/8 Max Power</b>  |
| Protections<br><b>Thermal Protections</b><br><b>(Power-Limiting - Thermal Shutdown)</b><br><b>Short - circuit/overload output protections</b> |
| Operating Range<br><b>12-24 V DC</b>  |
| IP Rating<br><b>IP64</b>  |

## GH4A

| Handling & Finishes  |
|--|
| Dimensions (WxLxH)<br><b>112 x 112 x 94 mm (4.4 x 4.4 x 3.70 in)</b> |
| Weight<br><b>1,2 kg (2.87 lb)</b>                                    |
| Material<br><b>Stainless Steel</b>                                   |
| Color<br><b>Black</b>  |

<sup>1</sup> With dedicated preset

<sup>2</sup> Maximum SPL is calculated using a signal with crest factor 4 (12 dB) measured at 8 m then scaled at 1 m

## GH4R - GH4RM

| Technical specifications  |
|---|
| Type<br>Passive loudspeaker for recessed in-wall mount  |
| Transducer<br>4" neodymium magnet full-range dual cone transducer                                     |
| Frequency Response <sup>1</sup><br>150 Hz - 20 kHz (-6dB)   |
| Max SPL <sup>2</sup><br>122 dB (peak)   |
| Power Handling<br>140 W   |
| Coverage<br>V.90   H.90°  |
| Connectors<br>2-wires cable (red+ black-) AWG 3,3mm   |
| Connectors - GH4RM<br>2-wires cable (red+ black-) AWG 3,3mm   |
| Nominal Impedance<br>16Ω  |
| IP Rating<br>IP64   |
| IP Rating - GH4RM<br>IP65   |
| Handling & Finishes   |
| Dimensions (WxHxD)<br>173 x 173 x 104 mm (6.8x 6.8 x 5.5 in) - 173 x 173 x 95mm (without frame depth) |
| Weight<br>1,2 kg (2.65 lb)  |
| Material<br>Stainless Steel   |
| Color<br>Black  |

<sup>1</sup> With dedicated preset

<sup>2</sup> Maximum SPL is calculated using a signal with crest factor 4 (12 dB) measured at 8 m then scaled at 1 m

## GH4RT - GH4RTM

| Technical specifications  |
|---|
| Type<br>Passive loudspeaker with built-in transformer for recessed in-wall mount                      |
| Transducer<br>4" neodymium magnet full-range dual cone transducer                                     |
| Frequency Response <sup>1</sup><br>150 Hz - 20 kHz (-6dB)   |
| Max SPL <sup>2</sup><br>122 dB (peak)   |
| Transformer power taps<br>64/32/16/8 W @100V - 32/16/8/4 W 70V  |
| Coverage<br>V.90   H.90°  |
| Connectors - Connectors GH4RTM<br>5x terminal wires (black - brown - red - orange - yellow) AWG 3,3mm |
| Nominal Impedance<br>4Ω   |
| IP Rating<br>IP64   |
| IP Rating - GH4RTM<br>IP65  |
| Handling & Finishes   |
| Dimensions (WxHxD)<br>173 x 173 x 104 mm (6.8x 6.8 x 5.5 in) - 173 x 173 x 95mm (without frame depth) |
| Weight<br>1,7 kg (3,7 lb)   |
| Material<br>Stainless Steel   |
| Color<br>Black  |

<sup>1</sup> With dedicated preset

<sup>2</sup> Maximum SPL is calculated using a signal with crest factor 4 (12 dB) measured at 8 m then scaled at 1 m

## GH4LIVE

## GH4M

| Technical specifications  |
|---|
| Type<br><b>Passive loudspeaker</b>                                |
| Transducer<br><b>4" neodymium magnet full range driver</b>        |
| Frequency Response <sup>1</sup><br><b>150 Hz - 20 kHz (-6dB)</b>  |
| Max SPL <sup>2</sup><br><b>122 dB (peak)</b>                      |
| Power Handling<br><b>140 W</b>                                    |
| Coverage<br><b>V.90   H.90°</b>                                   |
| Connectors<br><b>2x SpeakON NL4 1+ 1- (signal) 2+ 2- (trough)</b> |
| Nominal Impedance<br><b>4 Ω - 16 Ω selectable</b>                 |
| IP Rating<br><b>IP64</b>  |

| Technical specifications   |
|--|
| Type<br><b>Passive loudspeaker with marine treatments</b>          |
| Transducer<br><b>4" neodymium magnet full range driver</b>         |
| Frequency Response <sup>1</sup><br><b>150 Hz - 20 kHz (-6dB)</b>   |
| Max SPL <sup>2</sup><br><b>122 dB (peak)</b>                       |
| Power Handling<br><b>140 W</b>                                     |
| Coverage<br><b>V.90   H.90°</b>                                    |
| Connector<br><b>Multipole (+/-) cable with sealing cable gland</b> |
| Nominal Impedance<br><b>16 Ω</b>                                   |
| IP Rating<br><b>IP65</b>   |

| Handling & Finishes  |
|--|
| Dimensions (WxHxD)<br><b>112x 112x 95mm (4.4x 4.4x 3.7 in)</b> |
| Weight<br><b>1,2 kg (2.87 lb)</b>                              |
| Material<br><b>Stainless Steel</b>                             |
| Color<br><b>Black</b>  |

| Handling & Finishes  |
|--|
| Dimensions (WxHxD)<br><b>112x 112x 95mm (4.4x 4.4x 3.7 in)</b> |
| Weight<br><b>1,2 kg (2.87 lb)</b>                              |
| Material<br><b>Stainless Steel</b>                             |
| Color<br><b>Black</b>  |

<sup>1</sup> With dedicated preset

<sup>2</sup> Maximum SPL is calculated using a signal with crest factor 4 (12 dB) measured at 8 m then scaled at 1 m

<sup>1</sup> With dedicated preset

<sup>2</sup> Maximum SPL is calculated using a signal with crest factor 4 (12 dB) measured at 8 m then scaled at 1 m

USER GUIDE



V.1.Rev.2

K-array Srl - Via Paolina Romagnoli 17 - 50038  
Scarperia e San Piero, Firenze - Italy  
P.IVA/VAT/CF  
06206990480  
Phone: +39 055- 8487222  
Email: info@karray.com