



ENG • ESP

GH12

12" Coaxial Woofers Passive Array Element Loudspeaker



The GH12 is a passive loudspeaker with 12" coaxial transducer in a compact metal frame.

The GH12 is designed for outdoor/indoor applications both for rental and permanent installations, suiting large auditoriums, stadiums, theme parks, clubbing and touring applications.

The practical of dedicated rigging accessories allow to assemble multiple GH12 elements in a longer array line featuring PAT® and SAT® technologies by K-array™: up to 4x GH12 array elements can be driven by a single channel of the GA46 amplifier.

Weather resistant rugged metal structure box. High performance to size/weight ratio featuring easy and fast setup possibility.

GH12

Technical specifications

Type	Passive loudspeaker
Transducer	12" ferrite magnet woofer - 1" compression driver
Frequency Response ¹	125 Hz - 20 kHz (-6dB)
Max SPL ²	129 dB Peak
Rated Power	400 W
Coverage	V.30 H.90°
Connectors	SpeakOn NL4 - 1+ 1- (signal) 2+ 2-
Nominal Impedance	32Ω
IP Rating	IP54

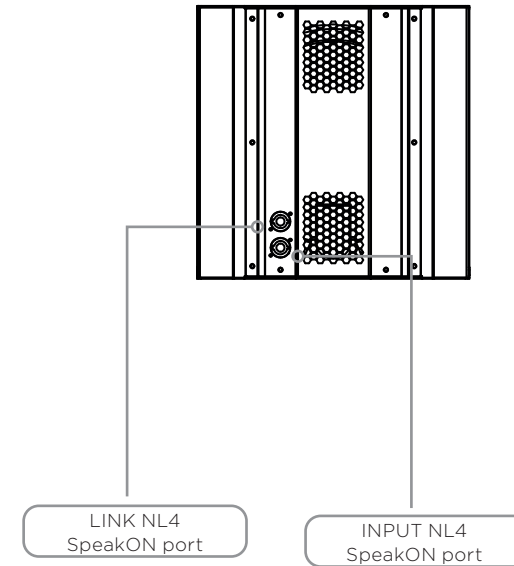
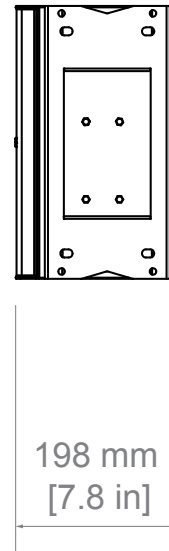
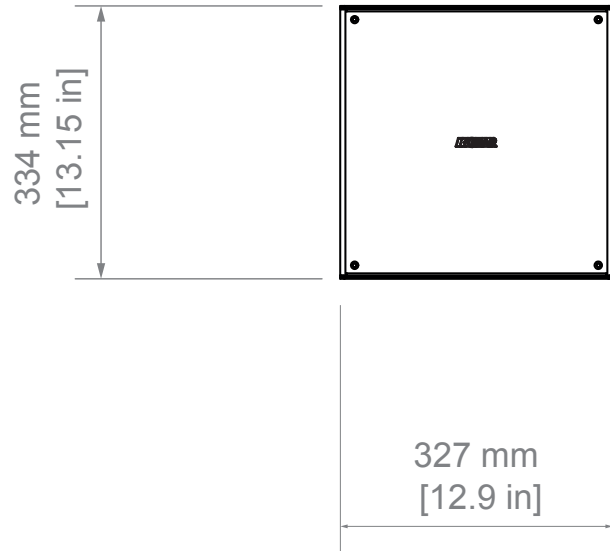
Handling & Finishes

Dimensions (WxLxH)	327 x 198 x 334 mm (12.87 - 13.15 - 7.79 in)
Weight	13,8 kg (30.43 lb)
Material	Stainless Steel
Color	Black

¹ With dedicated preset

² Maximum SPL is calculated using a signal with crest factor 4 (12 dB) measured at 8 m then scaled at 1 m

Mechanical Drawings



GH12

12" Altavoz para Sistema array pasivo con Woofers coaxiales



El GH12 es un altavoz pasivo con transductor coaxial de 12" en un marco metálico compacto.

Los sencillos accesorios de rigging permiten montar múltiples elementos GH12 en forma de array lineal con las tecnologías PAT® y SAT® de K-array™: hasta 4x elementos de array GH12 pueden ser impulsados por un solo canal del amplificador GA46.

La GH12 está diseñada para aplicaciones de exterior/interior, tanto para instalaciones de alquiler como permanentes, y se adapta a grandes auditorios, estadios, parques temáticos, discotecas y giras.

Caja de estructura metálica resistente a la intemperie. Alta relación rendimiento/tamaño/peso con posibilidad de configuración fácil y rápida.

General	
Type	Passive loudspeaker
Transducers	12" coaxial woofer with 1" compression driver
Frequency Response	125 Hz - 20 kHz (-6 dB)
Max SPL ¹	129 dB (peak)
Power Handling	200 W
Nominal Impedance	32 Ω
Coverage	V. 30° H. 90°
Dimensions (WxHxD)	327x334x198 mm (12.9x13.15x7.8 in)
Weight	13,8 kg (30.43 lb)
Material	Stainless steel
IP rating	IP54
Color	Black

¹ Maximum SPL is calculated using a signal with crest factor 4 (12dB) measured at 1 m.

Aplicaciones frecuentes	
Event Productions	Fitness & Wellness
Concerts & Live Events	Stadiums & Sports Venues
Corporate Events	Houses of Worship

