

Azimet-KAMUT II

Portable smart system with Multi-Channel Amplifiers

Thank you for choosing this K-array product!
To ensure proper operation, please carefully read this quick guide.

Download the owner's manual and safety instruction from the official K-array website at www.k-array.com:



Before using the product please carefully read the owner's manual and safety instruction.

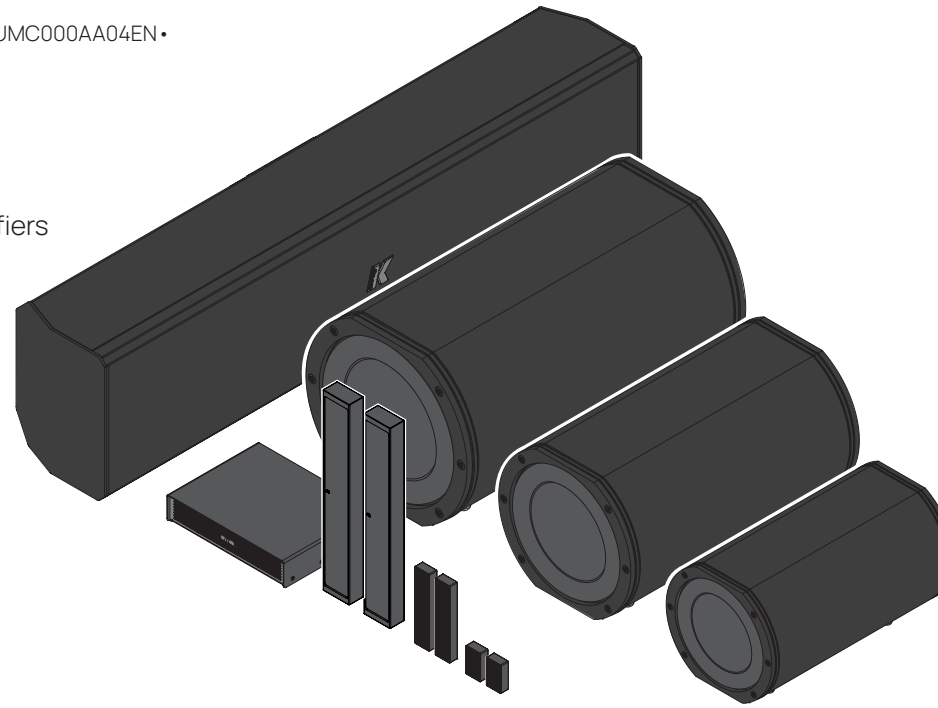
After reading this quick guide, be sure to keep it for future reference.

Should you have any questions about your new device please contact K-array customer service at support@k-array.com or contact the official K-array distributor in your country.

The Kommander-KA amplifier in the Azimet system is factory configured with the settings necessary to drive the Lizard-KZ or Vyper-KV passive loudspeakers and Rumble or Truffle subwoofers, in order to fulfill maximum power of each output channel.

Software

The dedicated K-array Connect app allows to direct manage and control an amplifier with a mobile device (smartphone or tablet) wireless.



Carefully inspect the shipping carton, then examine and test your new device. If you find any damage, immediately notify the shipping company. Check that the following parts are supplied with the product:

- 1x This quick guide
- 1x Kommander-KA021 comprising:
 - 2x Euroblock 2,5/ 2-ST-5,08 speaker connectors
 - 1x Euroblock 2,5/ 4-ST-5,08 speaker connectors
 - 4x Euroblock 1,5/ 3-ST-3,81 input connectors
 - 1x Power supply with power cord
- 1x K-REMUCTRL remote
- 1x subwoofer cable with Euroblock connectors
- One of the following loudspeakers set according to the version:

Version	Loudspeakers set		
	Loudspeakers		Subwoofer
Azimet-KAMUT2LII	Lizard-KZ11	2	Rumble-KU44-2 1
Azimet-KAMUT2LII	Lizard-KZ11	2	Truffle-KTR24 1
Azimet-KAMUT2L14 II	Lizard-KZ141	2	Truffle-KTR25 1
Azimet-KAMUT2V25II	Vyper-KV25II	2	Truffle-KTR26 1

Designed and Made in Italy by K-ARRAY surl Via P. Romagnoli 17 I 50038 Scarperia e San Piero - Firenze - Italy
ph +39 055 84 87 222 | info@k-array.com | www.k-array.com

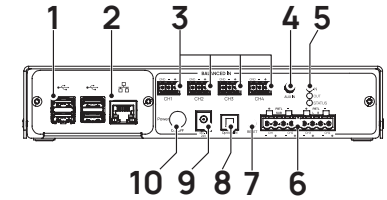
Connectivity and control

The Kommander-KA021 amplifier unit features a built-in hot spot establishing a local Wi-Fi network dedicated to remote control the amplifier with mobile devices. The default local Wi-Fi SSID and unit IP address are printed on a label located on the bottom plate of the Kommander-KA021 unit; a QR code for ease the connectivity is printed as well.

The RJ45 Ethernet port on the rear panel allows to connect the Kommander-KA021 amplifier unit to a local area network (LAN). Since every host on a network must be identified by a unique IP address, the simplest local network usually implement a router/switch with DHCP server managing the addresses allocation: by default the Kommander-KA021 unit is set to obtain a local IP address from the DHCP server.

A static IP address can be assigned to the amplifier unit using the amplifier's embedded web app (Network menu).

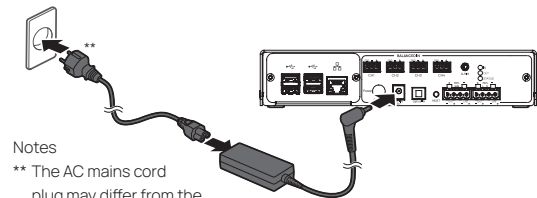
Amplifier Rear Panel



1. 4x USB ports
2. RJ45 Ethernet port
3. 4 channels Euroblock 1,5/ 3-ST-3,81 balanced analog inputs
4. 3,5 mm jack unbalanced stereo analog input
5. Status LED
6. 4 channels Euroblock output terminals: speaker connectors for either 2,5/ 2-ST-5,08 or 2,5/ 4-ST-5,08 flying plugs
7. Reset button
8. Optical S/P DIF stereo digital input
9. DC inlet
10. Power switch

AC mains supply

- A. Connect the power adapter to the power cord;
- B. Connect the power plug to a mains socket outlet;
- C. Connect the power adapter to the DC inlet on the rear panel of the Kommander-KA021 amplifier unit.



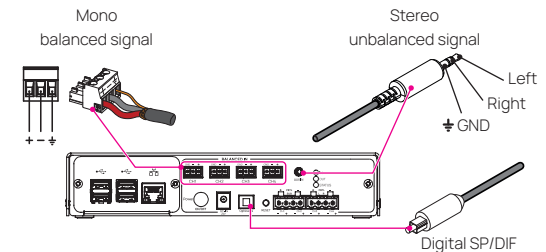
Notes

- ** The AC mains cord plug may differ from the picture according to local regulation.

Once properly plugged, switch on the amplifier pushing on the power button: when the unit is operating the front and back LEDs light on green.

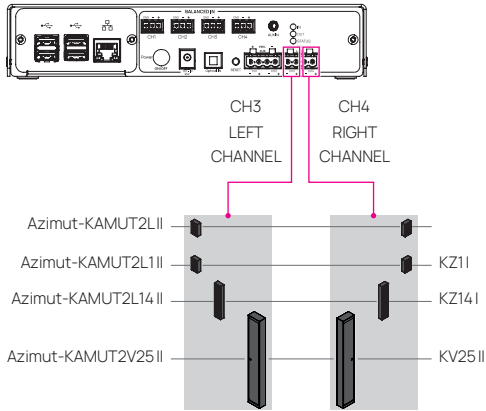
Input wiring

Audio signals can be fed to the system using the input connectors on the amplifier rear panel.



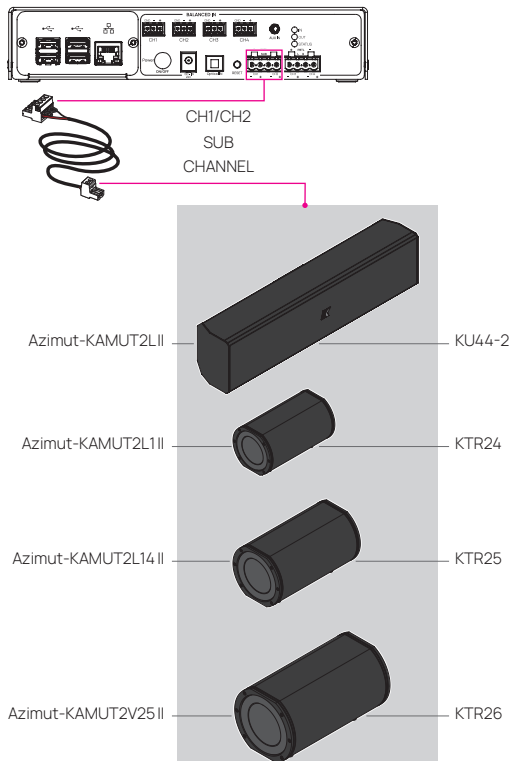
Loudspeakers Wiring

Plug the 2 poles connector heading the loudspeakers cable to the amplifier's output connectors 3 (LEFT CHANNEL) and 4 (RIGHT CHANNEL).



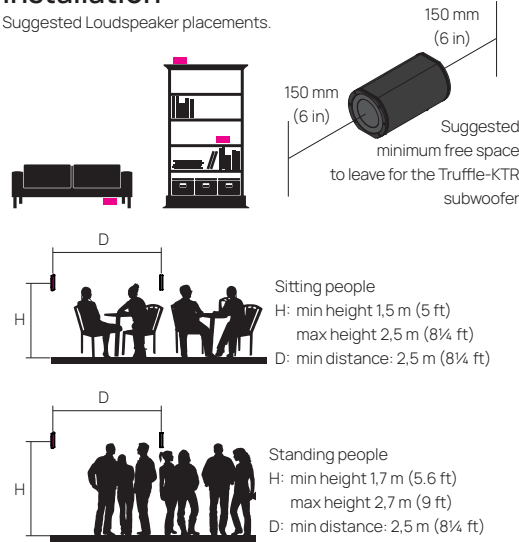
Subwoofer Wiring

The cables for connecting the subwoofer to the amplifier is provided within the package. Plug the 4 poles connector heading the cable to the amplifier's output connectors 1 and 2.



Installation

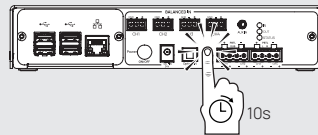
Suggested Loudspeaker placements.



Connectivity Reset

With the unit switched on, keep pressed the RESET button on the rear panel for 10 to 15 seconds in order to:

- Revert the wired IP addressing to DHCP;
- Activate the built-in Wi-Fi and reset the wireless parameters to the default SSID name and password.

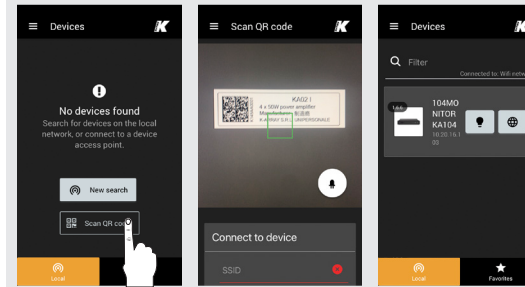


Getting Started With K-array Connect

1. Power up the unit.
2. Hold your mobile device (smartphone or tablet): ensure the Wi-Fi connectivity is on.
3. Launch the K-array Connect app.
4. If the list of available devices is empty touch the SCAN QR CODE button and use the mobile device camera to frame the QR code printed on a label on the unit chassis: this provides the mobile device to connect to the amplifier's built in hot spot.
5. Click on the image of the unit to start managing the amplifier with the K-array Connect app or click on the button with the globe in order to access its embedded web app.



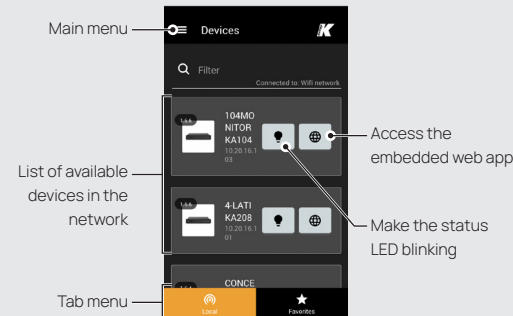
In case you need to manually connect to the amplifier's hot spot, the default password is the device serial number, e.g. K142AN0006 (case sensitive).



Scroll down to update the list of devices or touch the Scan QR code button to activate the camera in order to connect the unit.

The K-array active unit has a label with the QR code for connecting the local Wi-Fi: target the code to establish the wireless connection.

Connected and discovered!



Status LED

Color	Mode	Description
orange	solid	DSP software is loading
green	solid	System ready
blue	solid	User command: system identification
purple	flashing	Network parameters reset

Specifications

	KZ11	KZ14I	KV25 II
Rated Power	3,5 W	15 W	75 W
Frequency response ¹	500Hz 18 kHz	500Hz 18 kHz	150Hz 18 kHz
Max SPL ²	86 dB	98 dB	108 dB
Impedance	16Ω	16Ω	8Ω/16Ω
Dimensions	22 x 37 x 11 mm (0.9 x 1.5 x 0.4 in)	22 x 100 x 11 mm (0.9 x 3.9 x 0.4 in)	40 x 260 x 22 mm (1.6 x 10.2 x 0.9 in)

Weight 0.021 kg (0.046 lb), 0.059 kg (0.130 lb), 0.4 kg (0.88 lb)

	KTR24	KTR25	KTR26	KU44-2
Rated Power	60 W	80 W	100 W	100 W
Frequency response ¹	45-500 Hz	45-500Hz	45-150Hz	45-500Hz
Max SPL ²	112 dB	115 dB	120 dB	116 dB
Impedance	4Ω	4Ω	2Ω	2Ω
Dimensions	122x117x199mm (4.8x4.6x7.8 in)	152x147x258mm (6.0x5.8x10.2 in)	182x176x341mm (7.1x6.9x13.4 in)	500x116x100mm (19.7x4.6x4.0 in)
Weight	1,5 kg (3.31 lb)	2,5 kg (5.51 lb)	3,5 kg (7.72 lb)	5,9 kg (13.0 lb)

	KA02 I
Output channels	4
Output Power per ch @4Ω ³	50W
Dimensions	219 x 46 x 170 mm (8.6 x 1.8 x 6.7 in)
Weight	0,7 kg (1.5 lb)

¹ With dedicated preset.

² Maximum SPL is calculated using a signal with crest factor 4 (12dB) measured at 8 m then scaled at 1 m.

³ CTA-2006 (CEA-2006) Amplifier Power Standards, single channel driven.