

# ARTOME S1



## General specs

Name	Artome S1
Materials	Birch plywood, MDF, steel, aluminum, tempered glass, polyester fabric
Dimensions	(W x H x D) 52 cm x 86.2 cm x 48.5 cm
Frame color	White
Door color	Black (Default)
Weight (excl. projector)	40 kg
Warranty	24 months (option to extend up to 60 months)*

## Technical specs

Power inlet	100–240V~ 50/60Hz, 5A (fused)
Power outlet	100–240V~ 50/60Hz, 1.5A
Power consumption (excl. projector)	75W
Sound	2.1-speaker system. Max. SPL 99 dB @ 1 m
Operating temperature	0–30 °C
19" rack	3U x 342 mm (depth)
Controls	Power, Source, Vol +/-, AV Mute, Freeze, Mic gain
Bluetooth Remote	Yes
Artome Connect App Compatible	Yes
Automatic Projector Provisioning	Yes

## Connections

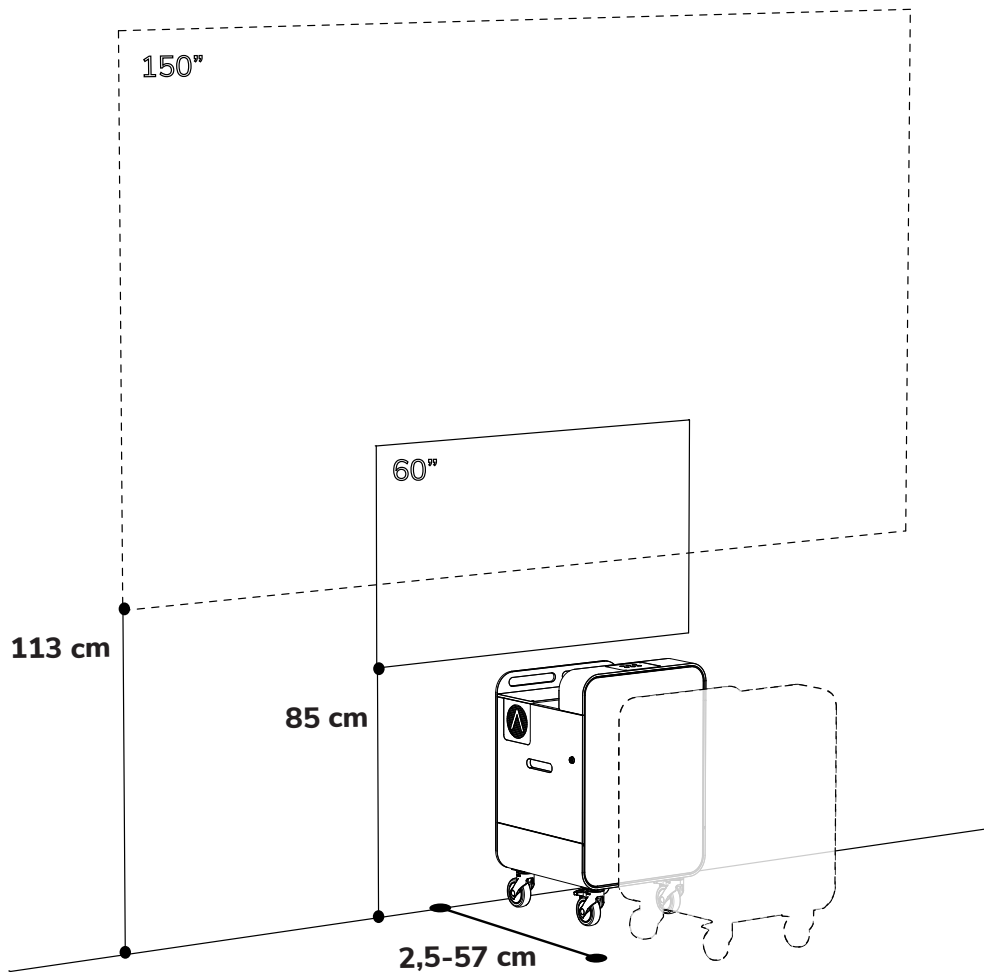
Front panel	HDMI, 2 x XLR Mic in with Level Control Power outlet (100-240V~ 50/60Hz, 1.5A)
Back panel	HDMI, AUX in , 2 x Customizable passthrough slots for D-type connectors
Projector	All unused connectors can be accessed

## Projector specs

Compatible projectors	Epson EB 760W/770F/775F
Brightness	4000-4100 lm
Power consumption	267 W
Resolution	760W WXGA, 770/775F Full HD
Recommended image size	60-150"
Weight	5.9 kg



\*The purchaser must activate the five (5) year warranty within six (6) months of purchase by registering the product at [www.artomeinstaller.com](http://www.artomeinstaller.com)



1. Control panel
2. Lifting handle
3. Speakers
4. Projector
5. Door
6. Fan
7. Lifting handle
8. Rear connection panel
9. Power connector
10. Door lock
11. 19" rack
12. Connection panel
13. Subwoofer
14. Cable space
15. Casters
16. Cable grommet

