

## Description

Lightweight and able to take any form, the Anakonda-KAN200+ is a truly revolutionary speaker. A 2 meters long loudspeaker with 16 x 1" drivers integrating P.A.T (Pure Array Technology) that delivers a max power of 300W at 32Ω. Integrated male and female Speakon NL4 connectors hide all connections inside the body of the speaker.

By using two amplifier channels with the dedicated K-ANLINK accessory, you can extend your Anakonda system up to 16 units - 32 meters - which creates an elegant, seamless line of continuous sound. Its dedicated preset work on a wide frequency range and can be used as an audio system in combination with K-array subwoofers.

Anakonda's serpentine's form can adapt to any kind of furniture, thanks to the newest endowment accessories to mount it on walls, sides, pavements. This important characteristic make this piece a particular equipment for its design in many places like retails, venues (very useful in invisible but powerful reinforcements), and home solutions.

- Sinuous line array element
- Possible to connect in parallel with other KAN200+ elements
- 16 x 1" Neodymium magnet woofers
- Frequency Response of 150 Hz - 18kHz (-6 dB)
- Rated power of 300 W
- Coverage of V. 10° | H. 140°
- PVC/Neoprene, black, white colors
- IP64 rating and dedicated waterproof accessory.



# Anakonda-KAN200+

## Technical specifications

Type	Line array
Transducers	16 x 1" Neodymium magnet woofers
Frequency Response <sup>1</sup>	150 Hz - 18kHz (-6 dB)
Max SPL <sup>2</sup>	108 dB (peak)
Coverage	V. 10°   H. 140°
Power handling	300 W
Nominal Impedance	32Ω
Connectors	SpeakOn NL4 1+ 1- (signals); 2+ 2- (through)

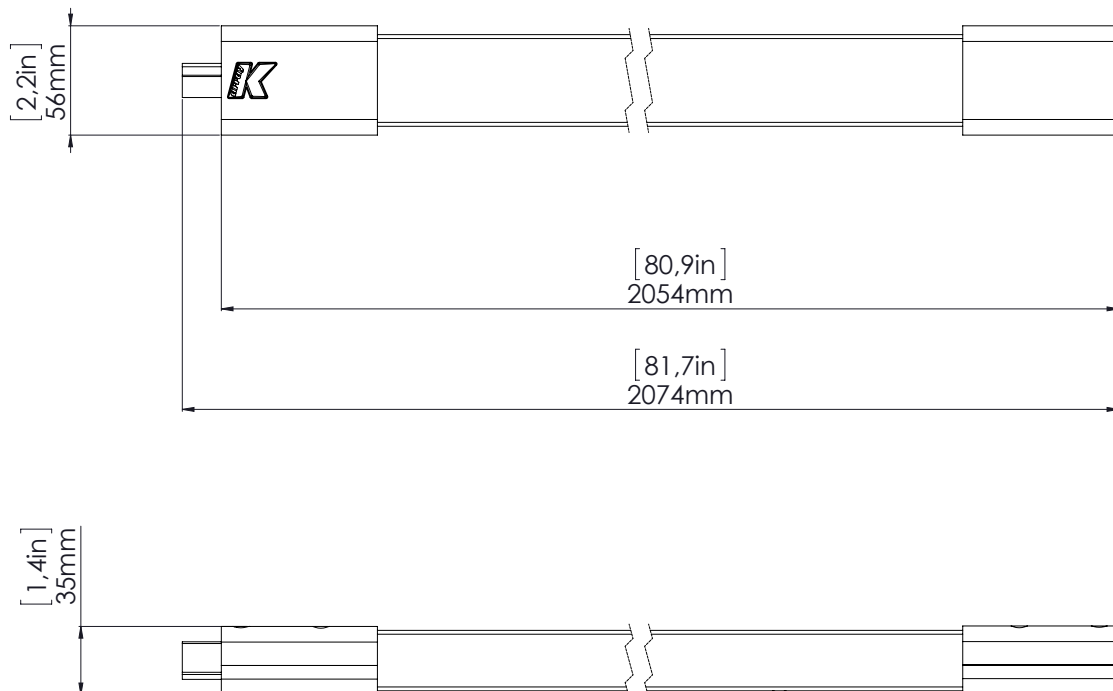
## Handling & Finishes

Material	PVC/Neoprene
Colors	Black, White
IP Rating <sup>3</sup>	IP64
Dimensions (WxHxD)	(W x H x D): 2000 (±20mm) x 56 x 35 mm (79.5 (±0.8 in) x 2.2 x 1.4 in)
Weight	1.9 kg (4.2 lb)

<sup>1</sup> With dedicated preset.

<sup>2</sup> Maximum SPL is calculated using a signal with crest factor 4 (12dB) measured at 8 m then scaled at 1 m.

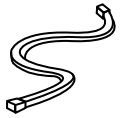
<sup>3</sup> More complete water protection with K-IP65KITB accessory (IP65 compliant).



### Notes:

Passive loudspeakers require dedicated presets loaded onboard K-array amplifiers.  
New materials and designs are introduced into existing products without previous notice.  
Present systems may differ in some respects from those presented in this catalog.





## Description

Lightweight and able to take any form, the Anakonda-KAN200+ 8 is a truly revolutionary speaker. This 2 meters long loudspeaker has 16 x 1" drivers with P.A.T (Pure Array Technology) and delivers a max power of 300W at 8Ω. Integrated male and female Speakon NL4 connectors hide all connections inside the body of the speaker.

Anakonda's serpentine's form can adapt to any kind of furniture, thanks to the newest endowment accessories to mount it on walls, sides, pavements. This important characteristic make this piece a particular equipment for its design in many places like retails, venues (very useful in invisible but powerful reinforcements), and home solutions.

- Sinuous line array element
- Possible to connect with other KAN200+8 elements
- 16 x 1" Neodymium magnet woofers
- Frequency Response of 150 Hz - 18kHz (-6 dB)
- Rated power of 300 W
- Coverage of V. 10° | H. 140°
- PVC/Neoprene, black, white colors
- IP64 rated and dedicated waterproof accessory.



# Anakonda-KAN200+8

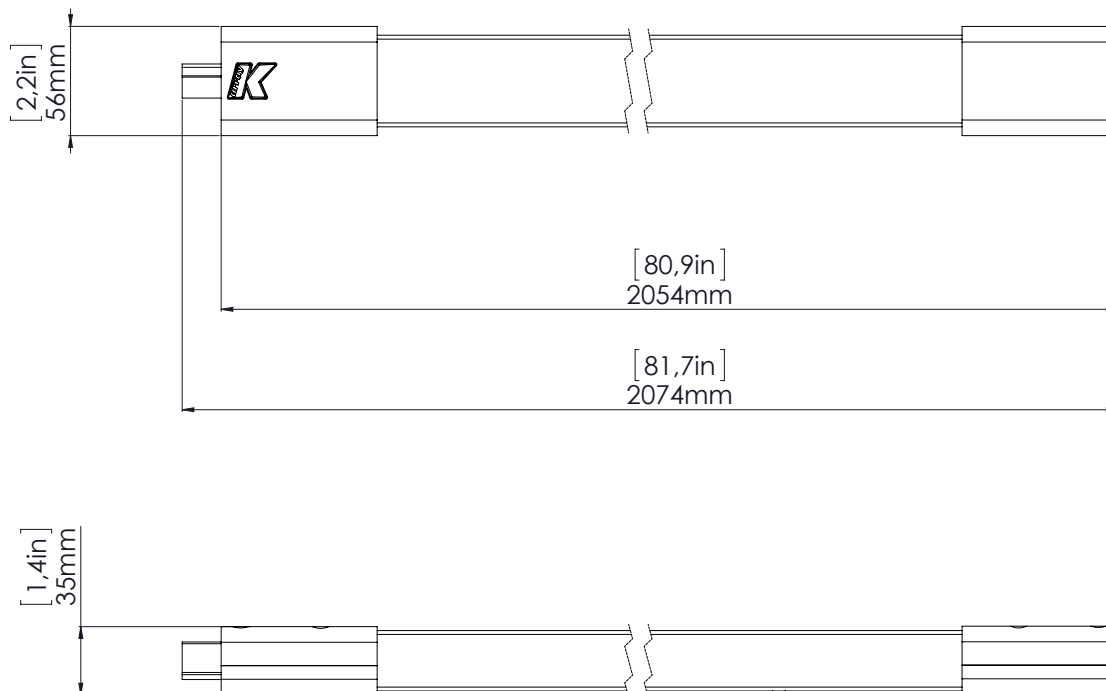
Technical specifications	
Type	Line array
Transducers	16 x 1" Neodymium magnet woofer
Frequency Response <sup>1</sup>	150 Hz - 18kHz (-6 dB)
Max SPL <sup>2</sup>	108 dB (peak)
Coverage	V. 10°   H. 140°
Power handling	300 W
Nominal Impedance	8Ω
Connectors	SpeakOn NL4 1+ 1- (signals); 2+ 2- (through)

Handling & Finishes	
Material	PVC/Neoprene
Colors	Black, White
IP Rating <sup>3</sup>	IP64
Dimensions (WxHxD)	(W x H x D): 2000 (±20mm) x 56 x 35 mm (79.5 (±0.8 in) x 2.2 x 1.4 in)
Weight	1.9 kg (4.2 lb)

<sup>1</sup> With dedicated preset.

<sup>2</sup> Maximum SPL is calculated using a signal with crest factor 4 (12dB) measured at 8 m then scaled at 1 m

<sup>3</sup> More complete water protection with K-IP65KITB accessory (IP65 compliant)



Notes:

Passive loudspeakers require dedicated presets loaded onboard K-array amplifiers.  
 New materials and designs are introduced into existing products without previous notice.  
 Present systems may differ in some respects from those presented in this catalog.

