

USB 3.2 Gen 1 Data Extender Kit

AT-USB-EX350-KIT



The Atlona **AT-USB-EX350-KIT** is a data-only USB 3.2 extender kit. It supports simultaneous extension of 5 Gbps USB 3.2 Gen 1 data and 480 Mbps USB 2.0 data up to 330 feet (100 meters) using a single, cost-effective Category 6A U/FTP cable.

The USB-EX350-KIT is ideal for video conferencing or remote instruction applications where high data rate USB components including laptops, computers, cameras, microphones, and speakers are in different areas of the room.

The USB-EX350-KIT is comprised of two endpoints. The host endpoint includes a USB-C port for connection to hosts such as laptops, computers, or other AV equipment that supports USB connectivity including many Omega™ Series products. The device endpoint includes three USB-A ports and one USB-C port for connection to 4K cameras, conferencing bars, microphones, speakers, and other peripherals. Bidirectional remote power allows the kit to be powered by the included power supply connected to either the host or device endpoint.

The USB-EX350-KIT is a great solution for routing USB 3.2 Gen 1 data up to 5 Gbps between components at distances greater than is possible with traditional cabling.

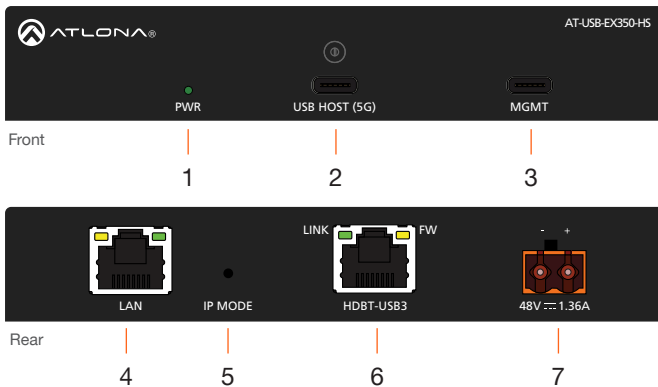
Package Contents

- 1 x AT-USB-EX350-HS
- 1 x AT-USB-EX350-DV
- 1 x 3 ft. USB-A to USB-C cable
- 1 x 3-pin captive screw connector
- 4 x Surface mounting brackets
- 4 x Mounting screws
- 1 x AC power supply with 2-pin captive screw connector
- 1 x AC power cord
- 1 x Insert w/ QR code



IMPORTANT: Visit <https://www.atlona.com/product/at-usb-ex350-kit> for the latest firmware updates and User Manual.

AT-USB-EX350-HS



1 PWR

This LED indicator will be green while the unit is powered and operating normally. Refer to [LED Indicators \(page 5\)](#) for more information.

2 USB HOST (5G)

Connect the included USB-C cable from this port to the host device.

3 MGMT

Connect a USB-C cable from this port to a computer to perform firmware updates. Refer to the *AT-USB-EX350-KIT User Manual* for more information.

4 LAN

Connect an Ethernet cable from this port to a network switch on the Local Area Network (LAN). This connection is required in order to access the built-in web server.

5 IP MODE

Use a paperclip or another slim object to press and hold this recessed button. The button serves three functions:

- **Firmware Update Mode**
Press and hold the button for 5 seconds, then release.
- **IP Mode**
Press and hold the button for 10 to 15 seconds.
- **Factory Reset**
Press and hold the button for more than 15 seconds.

6 USB LINK

Connect a category cable (CAT6A U/FTP), up to 330 feet (100 meters) from this port to the **USB LINK** port on the AT-USB-EX350-DV.

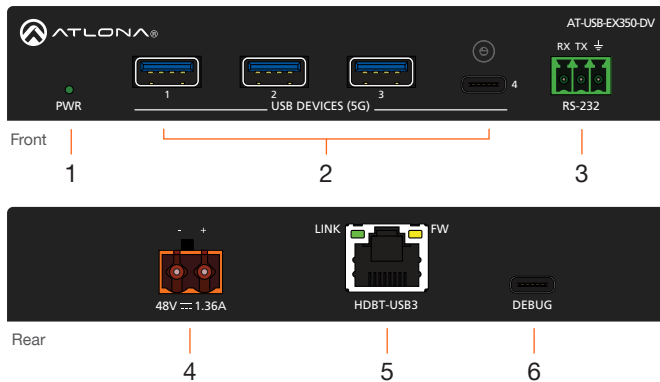
7 48V / 1.36A

Connect the 2-pin captive screw connector on the included power supply to this power receptacle.



NOTE: The AT-USB-EX350-KIT supports bidirectional PoE+. The included power supply can be connected to either the AT-USB-EX350-HS or AT-USB-EX350-DV.

AT-USB-EX350-DV



- 1 DEVICE**
 This LED indicator will be green while the unit is powered and operating normally. Refer to **LED Indicators** (page 5) for more information.
- 2 USB DEVICES (5G)**
 Connect USB devices to these ports. These ports support USB 3.2 Gen 1.
- 3 RS-232**
 Connect an RS-232 cable from this port to a control system to enable TCP proxy over the **LAN** port.
- 4 48V / 1.36A**
 Connect the 2-pin captive screw connector on the included power supply to this power receptacle.
- 5 HDBT-USB3**
 Connect a category cable (CAT6A U/FTP), up to 330 feet (100 meters), from this port to the **USB LINK** port on the AT-USB-EX350-HS.
- 6 DEBUG**
 Connect a USB-C cable from this port to a computer for debugging and for performing Valens firmware updates.



NOTE: The AT-USB-EX350-KIT supports bidirectional PoE+. The included power supply can be connected to either the AT-USB-EX350-HS or AT-USB-EX350-DV.

Installation

1. Connect a USB cable from the host device to the USB-C **HOST** port on the AT-USB-EX350-HS. This port supports USB 3.2 data up to 5 Gbps and USB 2.0 data up to 480 Mbps.

Recommended cable types:

- USB Type-A to Type-C (USB 3.2 Gen 1 or higher)
- USB Type-A to Type-A (USB 3.2 Gen 1 or higher)

2. Connect up to four USB devices to the **USB DEVICES (5G)** ports on the AT-USB-EX350-DV. Each port supports USB 3.2 Gen 1 and 5 V / 1.5 A of power.
3. Connect a category cable (CAT6A U/FTP), from the **USB LINK** port on the AT-USB-EX350-HS, to the **USB LINK** port on the AT-USB-EX350-DV. Maximum cable length should not exceed 330 feet (100 meters) of CAT6A U/FTP. For maximum lengths of other cable types, refer to the product datasheet.
4. Connect an Ethernet cable from the **LAN** port to the network. This is necessary to access the built-in web server, which is used to control and configure the AT-USB-EX350-KIT.
5. OPTIONAL: Connect a 3-pin captive screw connector from the **RS-232** port to a third-party device to enable TCP proxy via LAN control at the host endpoint.
6. Connect the included power supply to either the AT-USB-EX350-HS or AT-USB-EX350-DV to the **48V / 1.36A** power receptacle.
7. Connect the power supply to an available AC outlet.

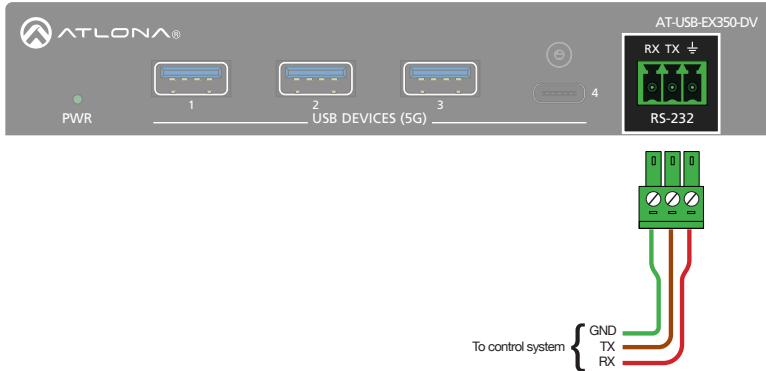


NOTE: The AT-USB-EX350-KIT supports bidirectional PoE+. The included power supply can be connected to either the AT-USB-EX350-HS or AT-USB-EX350-DV.



RS-232

Connect an RS-232 cable from the RS-232 port on the AT-USB-EX350-DV to a device that will be controlled via a serial connection, such as a camera. This connection will be established over the network using a TCP Proxy to the AT-USB-EX350-HS. Refer to the *AT-USB-EX350-KIT User Manual* for more information.



LED Indicators

The **PWR** indicator on both the AT-USB-EX350-HS and AT-USB-EX350-DV provide power state information on both the AT-USB-EX350-HS and AT-USB-EX350-DV.

PWR		Description
Solid green	●	Unit is powered.
Off	○	Unit is not powered. <ul style="list-style-type: none"> Verify that the 2-pin captive screw connector is firmly secured to the power receptacle. Make sure that the power supply is plugged into a live AC outlet.

Accessing the built-in Web Server

The AT-USB-EX350-KIT includes a built-in web server, which allows easy management and control of all features. Before using the web server, a password must be created.

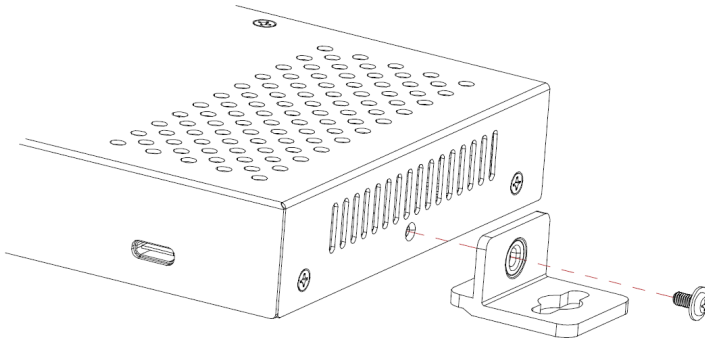
The AT-USB-EX350-KIT is set to DHCP by default and will receive an IP address from the network's DHCP pool if a DHCP server is available. If no DHCP server is detected, the AT-USB-EX350-KIT will automatically assign itself an APIPA address in the range 169.254.0.1 to 169.254.255.254, with a subnet mask of 255.255.0.0.

1. Make sure that an Ethernet cable is connected between one of the **LAN** ports on the AT-USB-EX350-KIT and the network.
2. Launch a web browser and enter the IP address of the unit. By default, the AT-USB-EX350-KIT is set to DHCP mode and will be assigned an IP address, if a DHCP server is present on the network.
3. The **Login** page will be displayed.
4. Enter *Atlona* in the **Password** field.
5. Click **Login**.
6. The **Change Password** screen will be displayed.
7. Enter the desired password in the **Password** field.
8. Click **Apply**.

Mounting Instructions

The AT-USB-EX350-KIT includes mounting brackets, which can be used to attach the units to any flat surface. Use the included screws to attach the mounting brackets.

1. Locate the included screws in the packaging.
2. Align the mounting bracket with the enclosure, matching the holes on the side of the enclosure with those on the bracket, as shown below.



3. Secure the bracket using a small Phillips screwdriver and a screw.
4. Repeat steps 2 and 3 for the other mounting bracket.
5. Attach the unit to a flat surface using the oval-shaped holes on each bracket.
 - If using a drywall surface, a #6 drywall screw is recommended.

Warranty

To view the product warranty, use the following link or QR code:

<https://atlona.com/warranty/>.



English Declaration of Conformity

The English version can be found under the resources tab at:

<https://atlona.com/product/at-usb-ex350-kit/>.



Chinese Declaration of Conformity 中国RoHS合格声明

由SKU列出於:

<https://atlona.com/about-us/china-rohs/>.

